

## Miniature Resistance Weld Crystal

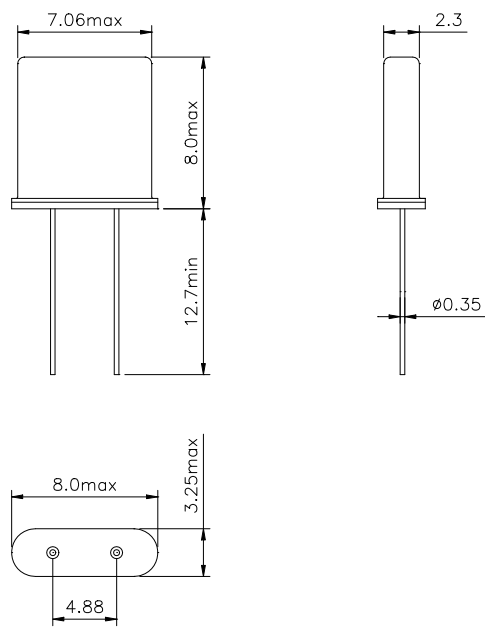
The UM1 series is a AT-cut crystal housed in a miniature resistance weld package that provides for an excellent hermetic seal and frequency aging. This high quality crystal offers a smaller footprint in a wide frequency range.

# UM1

## RoHS Compliant

**Specifications:**

<b>Frequency Range:</b>	6.0 MHz ~ 45 MHz	Fundamental	
	25 MHz ~ 200 MHz	Overtone	
<b>Operating Temperature:</b>	0°C ~ +50°C	-A	
	-10°C ~ +60°C	-B	
	-20°C ~ +70°C	-C	
	-40°C ~ +85°C	-L	
<b>Storage Temperature:</b>	-55°C ~ +125°C		
<b>Frequency Tolerance:</b>	± 50 ppm	-50	
(at 25°C)	± 30 ppm	-30	
	± 20 ppm	-20	
	± 10 ppm	-10	
<b>Frequency Stability:</b>	± 50 ppm	-50	
(over temperature range)	± 30 ppm	-30	
	± 20 ppm	-20	
	± 10 ppm	-10	
<b>Circuit Condition:</b>	10 pF ~ 32 pF or series		
<b>Equivalent Series Resistance:</b>	Maximum resistance corresponds to frequency. Please see ESR table.		
<b>Drive Level:</b>	100 μW max		
<b>Shunt Capacitance:</b>	7 pF max		
<b>Aging:</b>	± 3 ppm max per year		
<b>Optional Features:</b>	Fundamental	-F	
	3 <sup>rd</sup> , 5 <sup>th</sup> , 7 <sup>th</sup> O.T.	-3,5,7	
	Tape & Reel	-TR	

**UM-1**


All dimensions are in mm

**Ordering Information**

Product name + CL + Operating Temperature Range + Tolerance + Stability + Other Code + Frequency.

i.e. UM1-20-C-30-30-F-24.000MHz

**Note:**

1. Other frequencies, tolerances, stabilities, and operating temperature ranges available. Consult VTC Support for specific requirements.
2. Not all combinations of the above tolerances, stabilities, and temperature ranges are available. Consult VTC Support if your requirement is not standard.
3. All specifications subject to change without notice.