

STR-W605xS***Current Mode Control PWM Regulator IC
For Switching Power Supplies*****Features and Benefits (continued)**

- Two-chip structure, with a controller and a power MOSFET with guaranteed avalanche energy available to simplify surge absorber circuits
- Protection functions:
 - Brown-In and Brown-Out Protection function: auto-restart, prevention of excess input current and heat rise at low input voltage
 - Overcurrent Protection function (OCP): pulse-by-pulse built-in compensation circuit to minimize OCP point variation on AC input voltage
 - Overload Protection function (OLP): auto-restart, built-in timer, reduces heat during overload condition, and no external components required
 - Overvoltage Protection function (OVP): Auto-restart
 - Thermal Shutdown Protection function (TSD): Auto-restart

Selection Guide

Part Number	f _{osc} (kHz)	MOSFET V _{DSS(min)} (V)	R _{DS(on)} (max) (Ω)	P _{out} * (W)		Package	Packing
				230 V	Wide		
STR-W6051S	67	650	3.95	45	30	TO-220F-6L (Sanken FM207) with pin 2 removed	50 pieces per tube
STR-W6052S			2.8	60	40		
STR-W6053S			1.9	90	60		

* The listed output power is based on the package thermal ratings, and the peak output power can be 120% to 140% of the value stated here. At low output voltage and short duty cycle, the output power may be less than the value stated here.

Electrónica S.A. de C.V.

STR-W605xS**Current Mode Control PWM Regulator IC
For Switching Power Supplies****Absolute Maximum Ratings**¹ Valid at $T_A = 25^\circ\text{C}$, unless otherwise specified

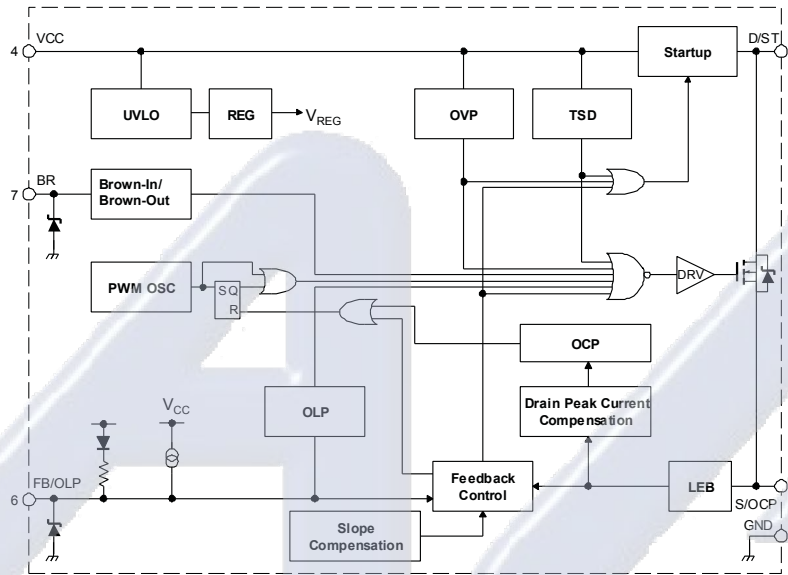
Characteristic	Symbol	Notes	Terminals	Rating	Unit	
Drain Peak Current ²	I_{Dpeak}	Single pulse	STR-W6051S	1 – 3	5.0	A
			STR-W6052S	1 – 3	7.0	A
			STR-W6053S	1 – 3	9.5	A
Maximum Switching Current ³	I_{DMAX}	$T_A = -20^\circ\text{C}$ to 125°C	STR-W6051S	1 – 3	5.0	A
			STR-W6052S	1 – 3	7.0	A
			STR-W6053S	1 – 3	9.5	A
Single Pulse Avalanche Energy ⁴	E_{AS}	Single pulse, $V_{DD} = 99\text{ V}$, $L = 20\text{ mH}$	STR-W6051S	1 – 3	47	mJ
			STR-W6052S	1 – 3	62	mJ
			STR-W6053S	1 – 3	86	mJ
	I_{Lpeak}	Single pulse, $V_{DD} = 99\text{ V}$, $L = 20\text{ mH}$	STR-W6051S	1 – 3	2.0	A
			STR-W6052S	1 – 3	2.3	A
			STR-W6053S	1 – 3	2.7	A
S/OCP Terminal Voltage	V_{OCP}		3 – 5	-2 to 6	V	
Controller IC (MIC) Supply Input Voltage	V_{CC}		4 – 5	32	V	
FB/OLP Terminal Voltage	V_{FB}		6 – 5	-0.3 to 14	V	
FB/OLP Terminal Sink Current	I_{FB}		6 – 5	1.0	mA	
BR Terminal Voltage	V_{BR}		7 – 5	-0.3 to 7	V	
BR Terminal Sink Current	I_{BR}		7 – 5	1.0	mA	
MOSFET Power Dissipation ⁵	P_{D1}	With infinite heatsink	STR-W6051S	1 – 3	22.3	W
			STR-W6052S	1 – 3	23.6	W
			STR-W6053S	1 – 3	26.5	W
		Without heatsink	1 – 3	1.3	W	
Controller IC (MIC) Power Dissipation	P_{D2}	Specified by $V_{CC} \times I_{CC}$	4 – 5	0.13	W	
Internal Frame Temperature in Operation	T_F		–	-20 to 115	$^\circ\text{C}$	
Operating Ambient Temperature	T_{OP}	Maximum recommended internal leadframe temperature, $T_F(\text{max}) = 105^\circ\text{C}$	–	-20 to 115	$^\circ\text{C}$	
Storage Temperature	T_{stg}		–	-40 to 125	$^\circ\text{C}$	
Channel Temperature	T_{ch}		–	150	$^\circ\text{C}$	

¹Current characteristics are defined based on IC as sink (+), or source (-).²Refer to MOSFET Safe Operating Area Curve.³ I_{DMAX} is the drain current on the D/ST pin determined by the drive voltage of the IC and the threshold voltage, V_{th} , of the MOSFET.⁴Refer to MOSFET Avalanche Energy Derating Coefficient Curve.⁵Refer to MOSFET Temperature versus Power Dissipation Curve.

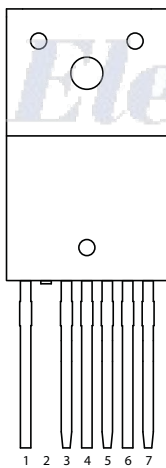
STR-W605xS

Current Mode Control PWM Regulator IC For Switching Power Supplies

Functional Block Diagram



Pin-out Diagram



Terminal List Table

Number	Name	Function
1	D/ST	MOSFET drain, and input for startup current
2	–	(Pin removed)
3	S/OCP	MOSFET source, and input for Overcurrent Protection detection signal
4	V _{CC}	Input for power supply for control circuit
5	GND	Ground
6	FB/OLP	Input for constant voltage control signal, and input for Overload Protection signal
7	BR	Input for Brown-In and Brown-Out Protection detection voltage

STR-W605xS**Current Mode Control PWM Regulator IC
For Switching Power Supplies****Electrical Characteristics**¹ Valid at $V_{CC} = 18\text{ V}$, $T_A = 25^\circ\text{C}$, unless otherwise specified

Characteristic	Symbol	Terminal	Min.	Typ.	Max.	Unit
Operation Start Voltage	$V_{CC(ON)}$	4 – 5	13.8	15.3	16.8	V
Operation Stop Voltage ²	$V_{CC(OFF)}$	4 – 5	7.3	8.1	8.9	V
Circuit Current in Operation	$I_{CC(ON)}$	4 – 5	–	–	2.5	mA
Minimum Startup Voltage	$V_{ST(ON)}$	4 – 5	–	40	–	V
Startup Current	$I_{STARTUP}$	4 – 5	–3.9	–2.5	–1.1	mA
Startup Current Supply Threshold Voltage ²	$V_{CC(BIAS)}$	4 – 5	8.5	9.5	10.5	V
Average Switching Frequency	$f_{OSC(av)}$	1 – 5	60	67	74	kHz
Switching Frequency Variance Range	Δf	1 – 5	–	5	–	kHz
Maximum Duty Cycle	D_{MAX}	1 – 5	63	71	79	%
Leading Edge Blanking Time	t_{BW}	–	–	390	–	ns
OCP Compensation Coefficient	D_{PC}	–	–	18	–	mV/ μs
Maximum Duty Cycle for OCP Compensation	D_{DPC}	–	–	36	–	%
OCP Threshold Voltage at Zero Duty Cycle	$V_{OCP(L)}$	3 – 5	0.70	0.78	0.86	V
OCP Threshold Voltage at 36% Duty Cycle	$V_{OCP(H)}$	3 – 5	0.79	0.88	0.97	V
Maximum Feedback Current	$I_{FB(MAX)}$	6 – 5	–340	–230	–150	μA
Minimum Feedback Current	$I_{FB(MIN)}$	6 – 5	–30	–15	–7	μA
Oscillation Stop FB/OLP Voltage	$V_{FB(OFF)}$	6 – 5	0.85	0.95	1.05	V
OLP Threshold Voltage	$V_{FB(OLP)}$	6 – 5	7.3	8.1	8.9	V
Operation Current After OLP	$I_{CC(OLP)}$	4 – 5	–	300	–	μA
OLP Delay Time	t_{OLP}	1 – 5	54	68	82	ms
FB/OLP Terminal Clamp Voltage	$V_{FB(CLAMP)}$	6 – 5	11	12.8	14	V
Brown-In Threshold Voltage	$V_{BR(IN)}$	7 – 5	5.2	5.6	6	V
Brown-Out Threshold Voltage	$V_{BR(OUT)}$	7 – 5	4.45	4.8	5.15	V
BR Terminal Clamp Voltage	$V_{BR(CLAMP)}$	7 – 5	6	6.4	7	V
BR Function Disabling Threshold	$V_{BR(DIS)}$	7 – 5	0.3	0.48	0.7	V
OVP Threshold Voltage	$V_{CC(OVP)}$	4 – 5	26	29	32	V
Thermal Shutdown Operating Temperature	$T_{J(TSD)}$	–	130	–	–	$^\circ\text{C}$

¹Current characteristics are defined based on IC as sink (+), or source (–).

² $V_{CC(BIAS)} > V_{CC(OFF)}$.

MOSFET Electrical Characteristics Valid at $T_A = 25^\circ\text{C}$, unless otherwise specified

Characteristic	Symbol	Device	Terminal	Min.	Typ.	Max.	Unit
Drain-to-Source Breakdown Voltage	V_{DSS}	–	1 – 3	650	–	–	V
Drain Leakage Current	I_{DSS}	–	1 – 3	–	–	300	μA
On-Resistance	$R_{DS(on)}$	STR-W6051S	1 – 3	–	–	3.95	Ω
		STR-W6052S	1 – 3	–	–	2.8	Ω
		STR-W6053S	1 – 3	–	–	1.9	Ω
Switching Time	t_f	–	1 – 3	–	–	250	ns
Thermal Resistance*	$R_{\theta chF}$	STR-W6051S	–	–	–	2.63	$^\circ\text{C/W}$
		STR-W6052S	–	–	–	2.26	$^\circ\text{C/W}$
		STR-W6053S	–	–	–	1.95	$^\circ\text{C/W}$

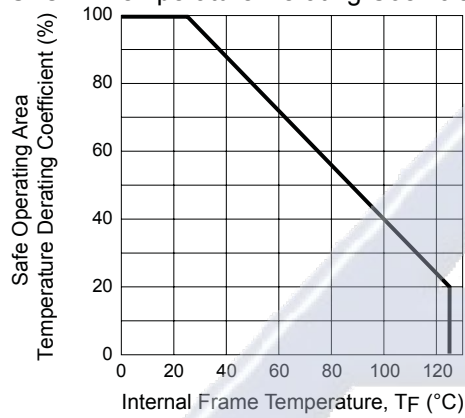
*Between channel and internal frame.

STR-W605xS

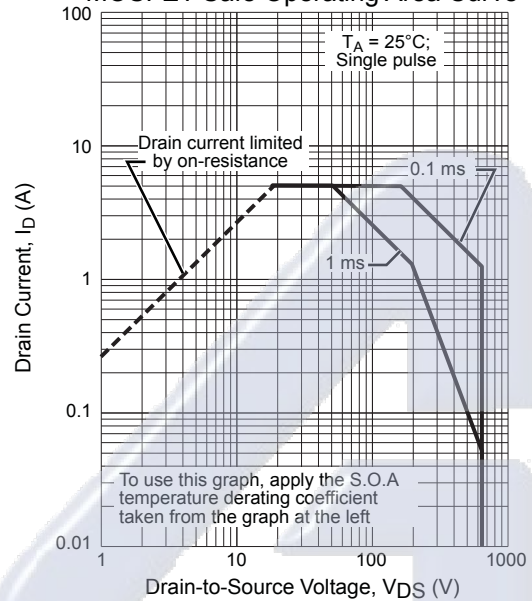
Current Mode Control PWM Regulator IC For Switching Power Supplies

Characteristic Performance STR-W6051S

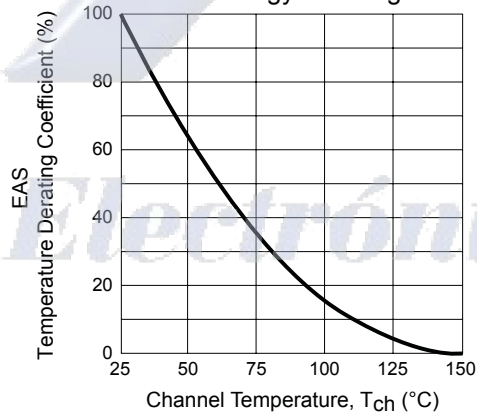
S. O. A. Temperature Derating Coefficient Curve



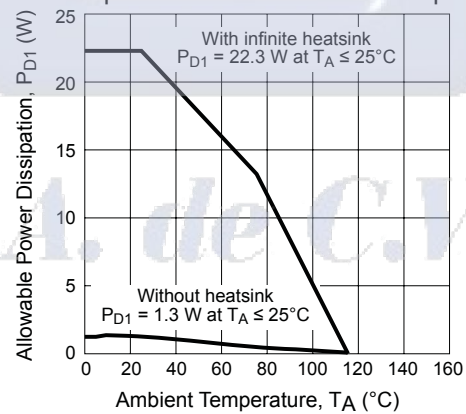
MOSFET Safe Operating Area Curve



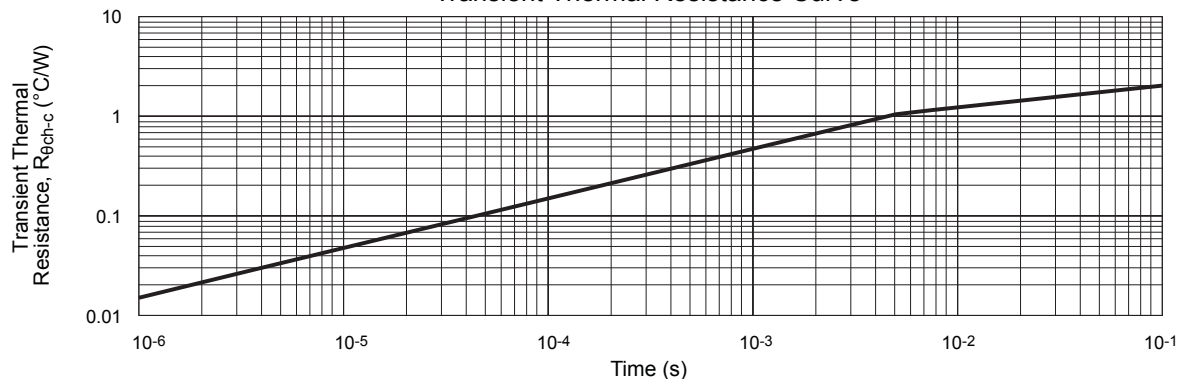
MOSFET Avalanche Energy Derating Coefficient Curve



MOSFET Temperature versus Power Dissipation Curve



Transient Thermal Resistance Curve

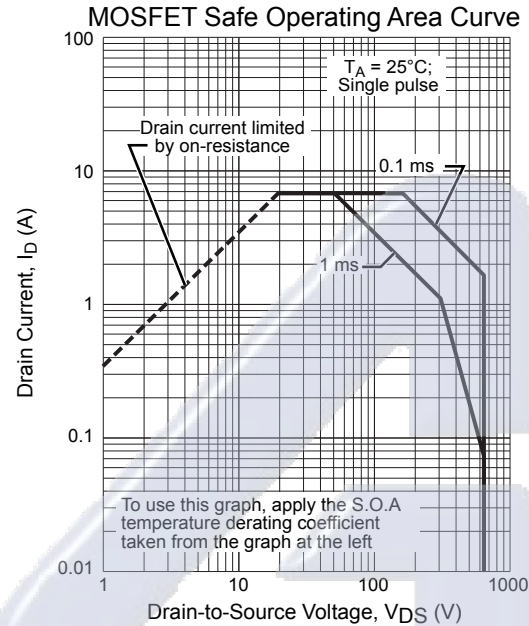
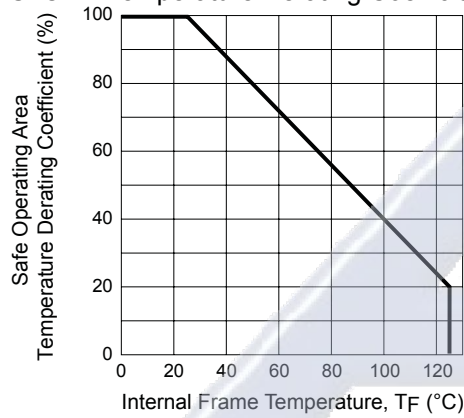


STR-W605xS

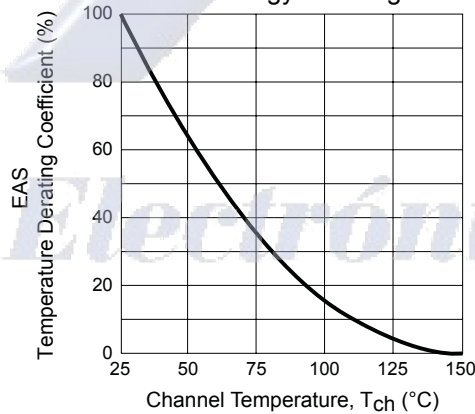
Current Mode Control PWM Regulator IC For Switching Power Supplies

Characteristic Performance STR-W6052S

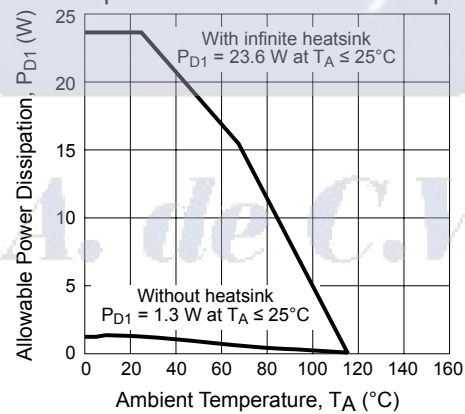
S. O. A. Temperature Derating Coefficient Curve



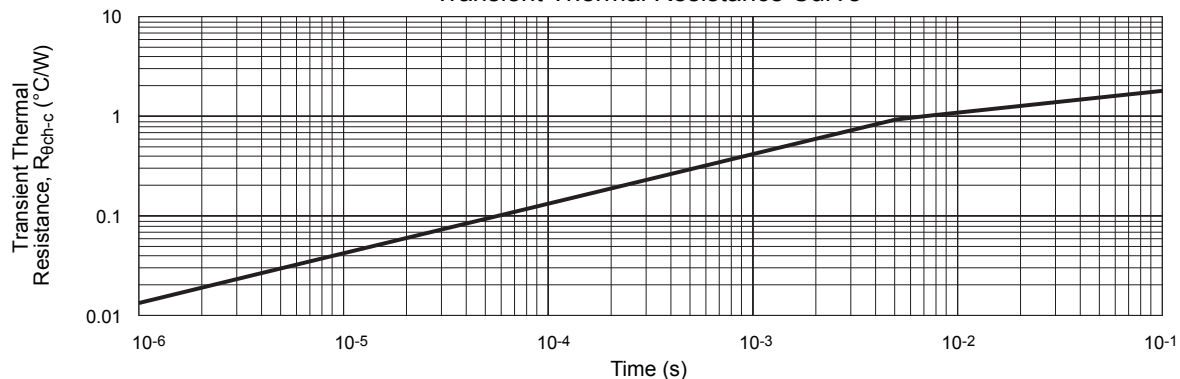
MOSFET Avalanche Energy Derating Coefficient Curve



MOSFET Temperature versus Power Dissipation Curve



Transient Thermal Resistance Curve

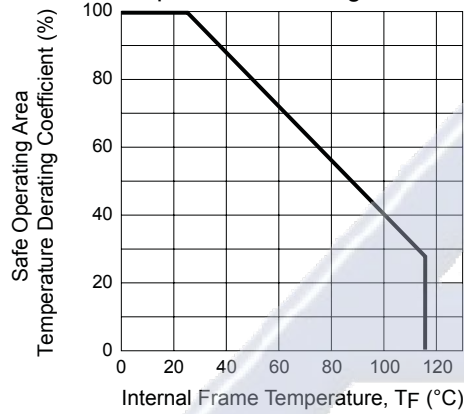


STR-W605xS

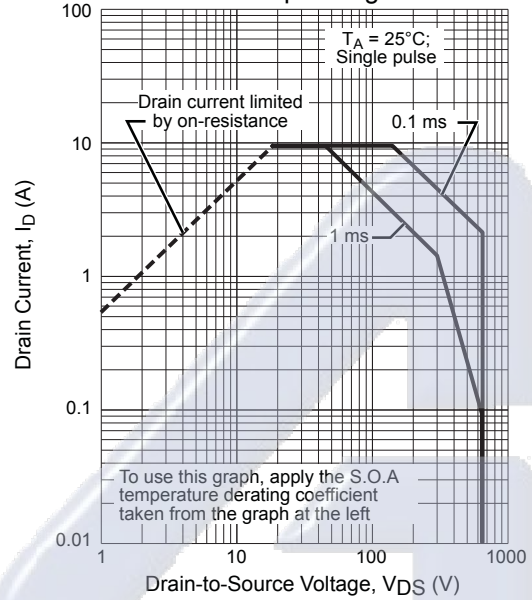
Current Mode Control PWM Regulator IC For Switching Power Supplies

Characteristic Performance STR-W6053S

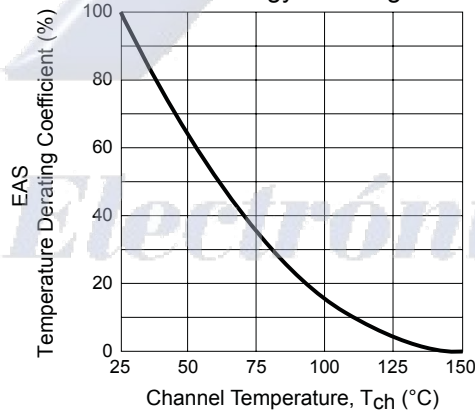
S. O. A. Temperature Derating Coefficient Curve



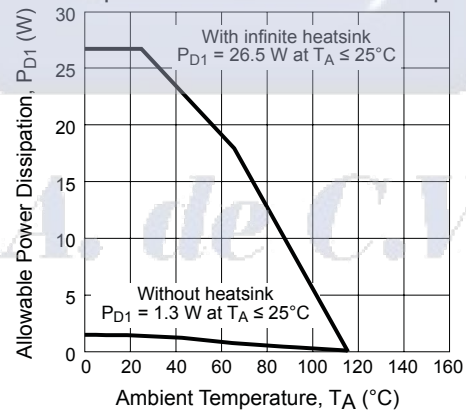
MOSFET Safe Operating Area Curve



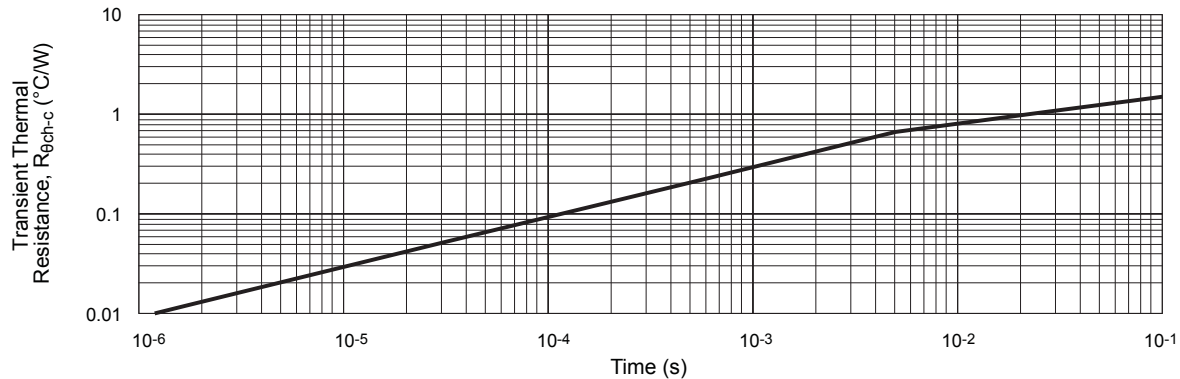
MOSFET Avalanche Energy Derating Coefficient Curve

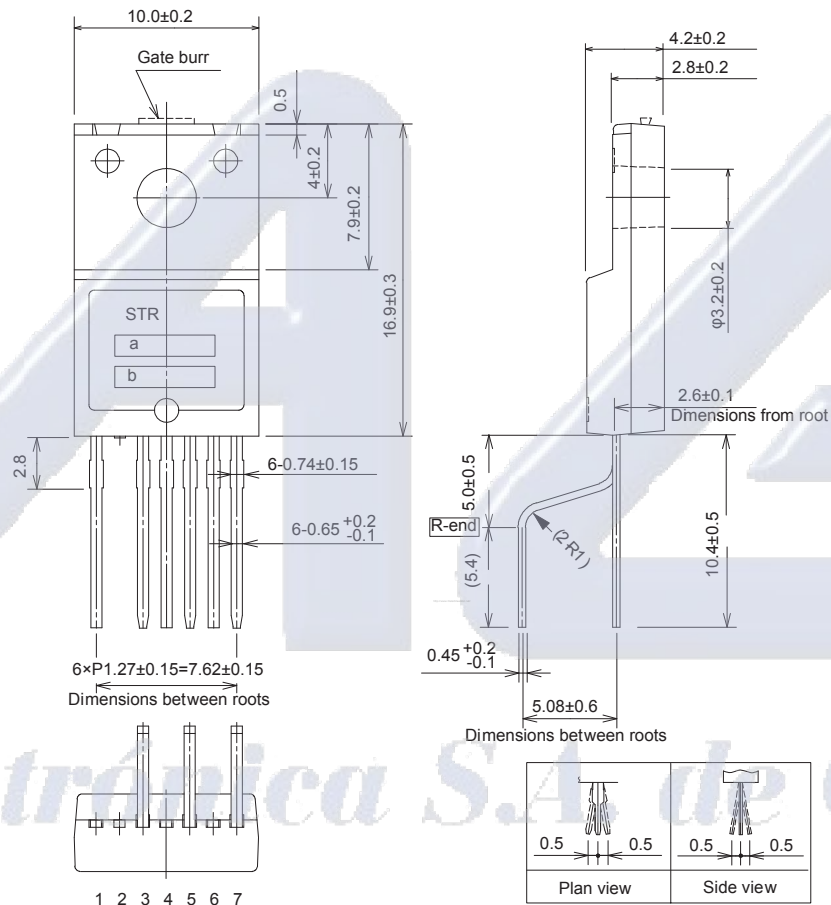


MOSFET Temperature versus Power Dissipation Curve



Transient Thermal Resistance Curve



STR-W605xS**Current Mode Control PWM Regulator IC
For Switching Power Supplies****Package Outline Drawing, TO-220F-6L (FM207)**

Leadform: 2003

Material of terminal: Cu

Treatment of terminal: Solder plating (Pb-free)

Weight: Approximately 2.3 g

Dashed line at Gate Burr indicates
protrusion of 0.3 mm (max)

Unit: mm

a. Type Number: W6051S

b. Lot Number:

1st letter: Last digit of year2nd letter: Month

1 to 9 for Jan. to Sept.

O for Oct.

N for Nov.

D for Dec.

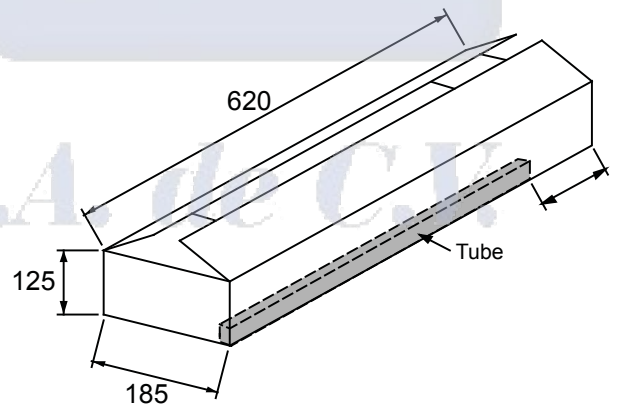
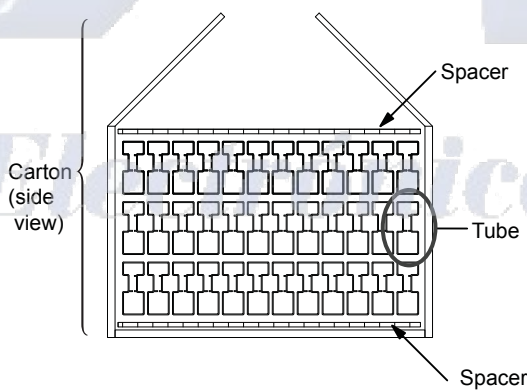
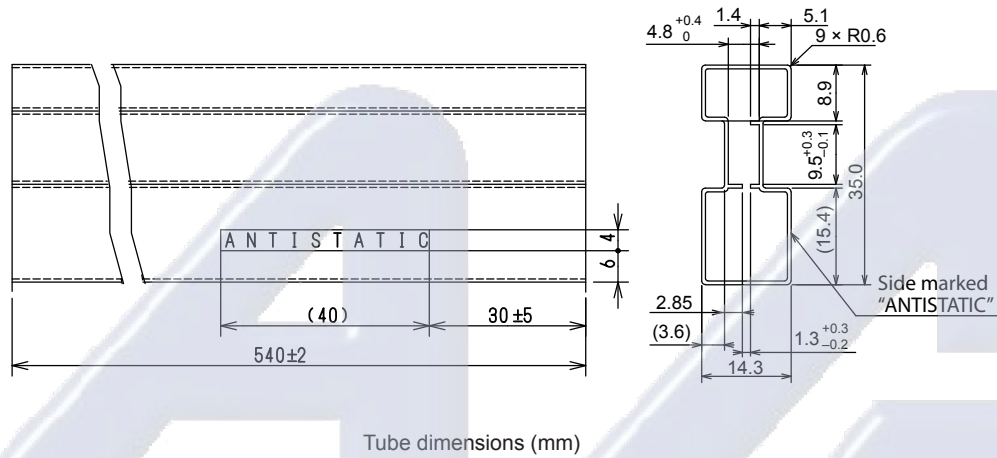
3rd and 4th letter: Day of month5th letter: Sanken Registration Number

*Leadframe plating Pb-free. Device composition
compliant with the RoHS directive.*

STR-W605xS

Current Mode Control PWM Regulator IC For Switching Power Supplies

Packing Specifications



Capacity:
 36 tubes per carton (3 rows, 12 tubes per row)
 50 pieces per tube
 1800 pieces maximum per carton

STR-W605xS***Current Mode Control PWM Regulator IC
For Switching Power Supplies***

Because reliability can be affected adversely by improper storage environments and handling methods, please observe the following cautions.

Cautions for Storage

- Ensure that storage conditions comply with the standard temperature (5°C to 35°C) and the standard relative humidity (around 40% to 75%); avoid storage locations that experience extreme changes in temperature or humidity.
- Avoid locations where dust or harmful gases are present and avoid direct sunlight.
- Reinspect for rust on leads and solderability of products that have been stored for a long time.

Cautions for Testing and Handling

When tests are carried out during inspection testing and other standard test periods, protect the products from power surges from the testing device, shorts between the product pins, and wrong connections.

Remarks About Using Silicone Grease with a Heatsink

- When silicone grease is used in mounting this product on a heatsink, it shall be applied evenly and thinly. If more silicone grease than required is applied, it may produce excess stress.
- Volatile-type silicone greases may crack after long periods of time, resulting in reduced heat radiation effect. Silicone grease with low consistency (hard grease) may cause cracks in the mold resin when screwing the product to a heatsink.
- Our recommended silicone greases for heat radiation purposes, which will not cause any adverse effect on the product life, are indicated below:

Type	Suppliers
G746	Shin-Etsu Chemical Co., Ltd.
YG6260	Momentive Performance Materials Holding, Inc.
SC102	Dow Corning Toray Co., Ltd.

Soldering

- Leadframe temperature, T_F , should not exceed 115°(max)
- When soldering the products, please be sure to minimize the working time, within the following limits:
260±5°C 10 s
350±5°C 3 s (solder iron)
- To avoid an internal chip damaged, soldering on each of lead-pins should be at a distance of at least 2 mm away from the body of the products

Assembly

- Recommended screw torque through the mounting tab is 0.588 to 0.785 N • m (6 to 8 kgf • cm).

Electrostatic Discharge

- When handling the products, the operator must be grounded. Grounded wrist straps worn should have at least 1 MΩ of resistance from the operator to ground to prevent shock hazard, and it should be placed near the operator.
- Workbenches where the products are handled should be grounded and be provided with conductive table and floor mats.
- When using measuring equipment such as a curve tracer, the equipment should be grounded.
- When soldering the products, the head of soldering irons or the solder bath must be grounded in order to prevent leak voltages generated by them from being applied to the products.
- The products should always be stored and transported in Sanken shipping containers or conductive containers, or be wrapped in aluminum foil.