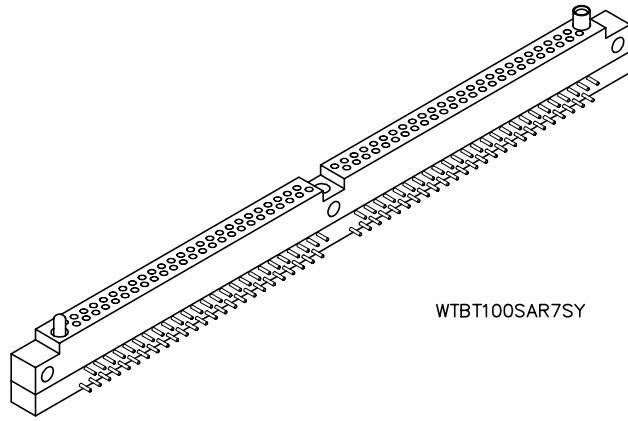


2 • ROW Extender Board Connector*

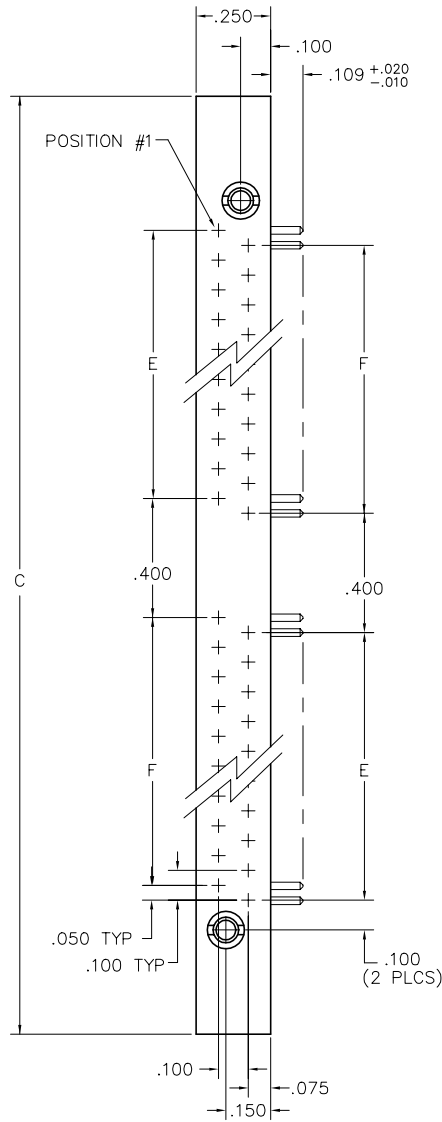
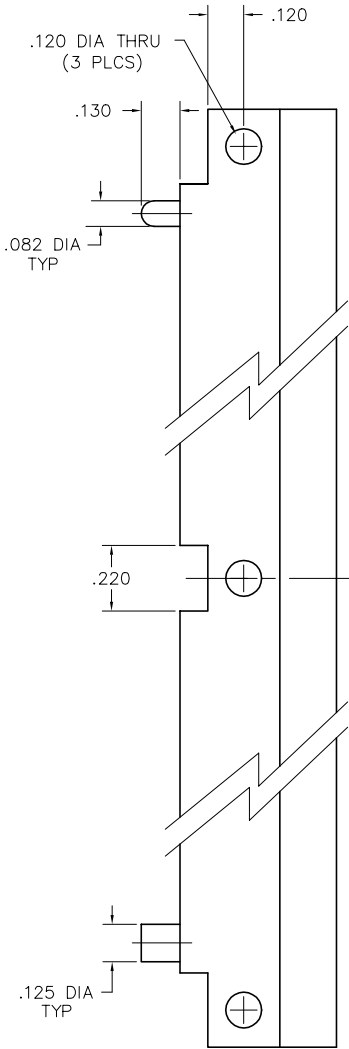
.100"

WTBT

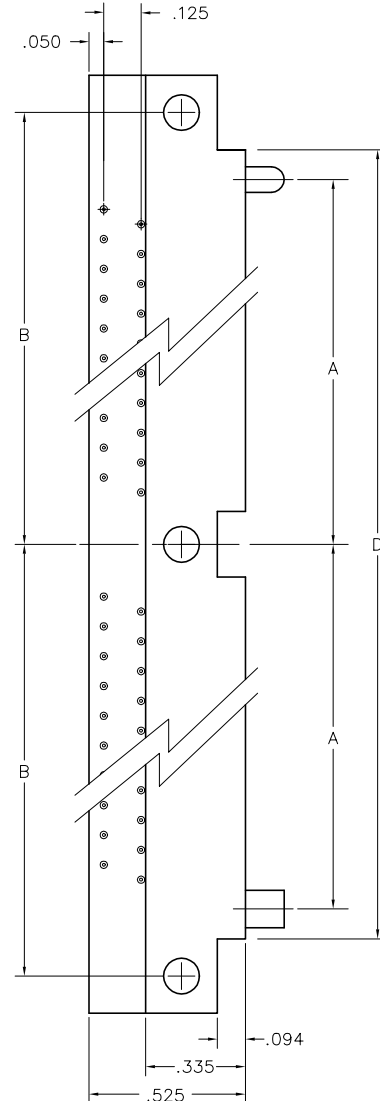
100 Contacts



WTBT100SAR7SY



RECEPTACLE



DIMENSIONS						
SIZE	A	B	C	D	E	F
100	2.725	2.950	6.150	5.650	2.400	2.400

* = FOR TEST APPLICATIONS

RECEPTACLE: WTBT 100 SAR7 SY
XXXX XXX XXXX XX

RECEPTACLE

SERIES

WTBT Receptacle, right angle, with mounting ears
 • WTBT connectors will mate with WTA, WTAV, WTB, WTBV.

SIZE

XXX Number of contacts (100)

CONTACTS

TYPE CONTACTS/TERMINATIONS:

- SAR7 Socket, right angle, dip solder, .109" x .025" dia
- SAR9 Socket, right angle, dip solder, .140" x .025" dia
- SAR11 Socket, right angle, dip solder, .172" x .025" dia
- SARC Socket, right angle, solder cup (.035" I.D.)

HARDWARE

- SY Guide set
- SY-# Guide set, polarized
- J Fixed jackset
- JT Turning jackset, .475"
- JTA Turning jackset, .175"
- JTB Hex turning jackset, .175"
- JTC Hex turning jackset, .475"
- JTL Long turning jackset, .675"

OPTIONS

- Option Codes: Add to the end of the part number. Example: WTBT100SAR7SY342. Call factory for additional codes.
- 342 Remove mounting ears (.250" each end)
- D01 Pre-tinned contact terminations (solder cup contacts excluded).

