



**Z8 GP™ Microcontrollers**

# **ZGR163L ROM MCU Family**

**Product Specification**

PS024006-0605



This publication is subject to replacement by a later edition. To determine whether a later edition exists, or to request copies of publications, contact:

**ZiLOG Worldwide Headquarters**

532 Race Street  
San Jose, CA 95126  
Telephone: 408.558.8500  
Fax: 408.558.8300  
[www.ZiLOG.com](http://www.ZiLOG.com)

ZiLOG is a registered trademark of ZiLOG Inc. in the United States and in other countries. All other products and/or service names mentioned herein may be trademarks of the companies with which they are associated.

**Document Disclaimer**

©2005 by ZiLOG, Inc. All rights reserved. Information in this publication concerning the devices, applications, or technology described is intended to suggest possible uses and may be superseded. ZiLOG, INC. DOES NOT ASSUME LIABILITY FOR OR PROVIDE A REPRESENTATION OF ACCURACY OF THE INFORMATION, DEVICES, OR TECHNOLOGY DESCRIBED IN THIS DOCUMENT. ZiLOG ALSO DOES NOT ASSUME LIABILITY FOR INTELLECTUAL PROPERTY INFRINGEMENT RELATED IN ANY MANNER TO USE OF INFORMATION, DEVICES, OR TECHNOLOGY DESCRIBED HEREIN OR OTHERWISE. Except with the express written approval ZiLOG, use of information, devices, or technology as critical components of life support systems is not authorized. No licenses or other rights are conveyed, implicitly or otherwise, by this document under any intellectual property rights.



## Revision History

Each instance in the Revision History table reflects a change to this document from its previous revision. To see more detail, click the appropriate link in the table.

Date	Revision Level	Description	Page #
December 2004	02	Updated to incorporate minor changes to Figure 44 and Figure 47. Added 4K Parts information in the Ordering Section.	67, 69 81
		Removed mask option note, and changed temperature ranges in Table 6 and Table 11. Added characterization data to Table 7 and added new Tables 8 and 9.	2, 7, 8, 9, 10, 11, 14
		Removed Preliminary designation	All
January 2005	03	Changed low power consumption value to 5mW. Changed STOP and HALT mode current values to 1.3mA and 0.5mA respectively. Minor corrections to Tables 7, 8, 9.	1, 9, 10, 11
March 2005	04	Minor correction/addition to the Ordering section.	84
June 2005	05	Incorporated 1K and 2K parts	All
June 2005	06	Changed part number for emulator/programmer.	85



# Table of Contents

Revision History .....	iii
Features .....	1
General Description .....	2
Pin Description .....	5
Absolute Maximum Ratings .....	6
Standard Test Conditions .....	7
DC Characteristics .....	8
AC Characteristics .....	13
Pin Functions .....	15
XTAL1 Crystal 1 (Time-Based Input) .....	15
XTAL2 Crystal 2 (Time-Based Output) .....	15
Port 0 (P07–P00) .....	15
Port 2 (P27–P20) .....	16
Port 3 (P37–P30) .....	17
Functional Description .....	21
Program Memory .....	21
RAM .....	21
Expanded Register File .....	22
Register File .....	26
Stack .....	27
Timers .....	28
Counter/Timer Functional Blocks .....	36
Ping-Pong Mode .....	44
Interrupts .....	46
Clock .....	49
Power-On Reset .....	49
Expanded Register File Control Registers (0D) .....	61
Expanded Register File Control Registers (0F) .....	65
Standard Control Registers .....	69
Package Information .....	75
Ordering Information .....	81



# List of Figures

Figure 1. Functional Block Diagram .....	3
Figure 2. Counter/Timers Diagram .....	4
Figure 3. 20-Pin DIP/SOIC/SSOP Pin Configuration .....	5
Figure 4. 28-Pin DIP/SOIC/SSOP Pin Configuration .....	6
Figure 5. Test Load Diagram .....	7
Figure 6. AC Timing Diagram .....	13
Figure 7. Port 0 Configuration .....	16
Figure 8. Port 2 Configuration .....	17
Figure 9. Port 3 Configuration .....	18
Figure 10. Port 3 Counter/Timer Output Configuration .....	20
Figure 11. Program Memory Map for ROM .....	22
Figure 12. Expanded Register File Architecture .....	24
Figure 13. Register Pointer .....	25
Figure 14. Register Pointer—Detail .....	27
Figure 15. Glitch Filter Circuitry .....	36
Figure 16. Transmit Mode Flowchart .....	37
Figure 17. 8-Bit Counter/Timer Circuits .....	38
Figure 18. T8_OUT in Single-Pass Mode .....	39
Figure 19. T8_OUT in Modulo-N Mode .....	39
Figure 20. Demodulation Mode Count Capture Flowchart .....	40
Figure 21. Demodulation Mode Flowchart .....	41
Figure 22. 16-Bit Counter/Timer Circuits .....	42
Figure 23. T16_OUT in Single-Pass Mode .....	43
Figure 24. T16_OUT in Modulo-N Mode .....	43
Figure 25. Ping-Pong Mode Diagram .....	45
Figure 26. Output Circuit .....	45
Figure 27. Interrupt Block Diagram .....	47
Figure 28. Oscillator Configuration .....	49
Figure 29. Port Configuration Register (PCON) (Write Only) .....	51
Figure 30. Stop Mode Recovery Register .....	52
Figure 31. SCLK Circuit .....	53
Figure 32. Stop Mode Recovery Source .....	54



Figure 33. Stop Mode Recovery Register 2 ((0F) DH:D2–D4, D6 Write Only) .....	56
Figure 34. Watch-Dog Timer Mode Register (Write Only) .....	57
Figure 35. Resets and WDT .....	58
Figure 36. TC8 Control Register ((0D) 00H: Read/Write Except Where Noted) .....	61
Figure 37. T8 and T16 Common Control Functions ((0D) 01H: Read/Write) .....	62
Figure 38. T16 Control Register ((0D) 02H: Read/Write Except Where Noted) .....	63
Figure 39. T8/T16 control Register (0D) 03H: Read/Write (Except Where Noted) .....	64
Figure 40. Voltage Detection Register .....	65
Figure 41. Port Configuration Register (PCON) ((0F)00H: Write Only .....	66
Figure 42. Stop Mode Recovery Register ((0F) 0BH: D6–D0=Write Only, D7=Read Only) .....	67
Figure 43. Stop Mode Recovery Register 2 ((0F) 0DH: D2–D4, D6 Write Only) .....	68
Figure 44. Watch-Dog Timer Register ((0F) 0FH: Write Only) .....	69
Figure 45. Port 2 Mode Register (F6H: Write Only) .....	69
Figure 46. Port 3 Mode Register (F7H: Write Only) .....	70
Figure 47. Port 0 Register (F8H: Write Only) .....	71
Figure 48. Interrupt Priority Register (F9H: Write Only) .....	72
Figure 49. Interrupt Request Register (FAH: Read/Write) .....	73
Figure 50. Interrupt Mask Register (FBH: Read/Write) .....	73
Figure 51. Flag Register (FCH: Read/Write) .....	74
Figure 52. Register Pointer (FDH: Read/Write) .....	74
Figure 53. Stack Pointer High (FEH: Read/Write) .....	75
Figure 54. Stack Pointer Low (FFH: Read/Write) .....	75
Figure 55. 20-Pin DIP Package Diagram .....	76
Figure 56. 20-Pin SOIC Package Diagram .....	76
Figure 57. 20-Pin SSOP Package Diagram .....	77
Figure 58. 28-Pin SOIC Package Diagram .....	78
Figure 59. 28-Pin DIP Package Diagram .....	79
Figure 60. 28-Pin SSOP Package Diagram .....	80



## List of Tables

Table 1.	Features	1
Table 2.	Power Connections	3
Table 3.	20-Pin DIP/SOIC/SSOP Pin Identification	5
Table 4.	28-Pin DIP/SOIC/SSOP Pin Identification	6
Table 5.	Absolute MaxPS024006-0605imum Ratings	7
Table 6.	Capacitance	8
Table 7.	ZGR163LS DC Characteristics	8
Table 8.	ZGR163LE DC Characteristics	9
Table 9.	ZGR163LA DC Characteristics	11
Table 10.	AC Characteristics	14
Table 11.	Port 3 Pin Function Summary	19
Table 12.	CTR0(0D)00h Counter/Timer8 Control Register	29
Table 13.	CTR1(0D)01h T8 and T16 Common Functions	31
Table 14.	CTR2(0D)02h: Counter/Timer16 Control Register	34
Table 15.	CTR3(0D)03h T8/T16 Control Register	35
Table 16.	Interrupt Types, Sources, and Vectors	48
Table 17.	IRQ Register	48
Table 18.	SMR2(F)0DH:Stop Mode Recovery Register 2*	53
Table 19.	Stop Mode Recovery Source	55
Table 20.	Watch-Dog Timer Time Select	58
Table 21.	ROM Selectable Options	59



## Features

Table 1 lists the features of the ZiLOG's ZGR163L members.

**Table 1. Features**

Device	ROM	RAM* (Bytes)	I/O Lines	Voltage Range
ZGR163L ROM MCU Family	1K/2K/4K/ 8K/16K	237	16/24	2.0V–3.6V

\* General purpose

- Low power consumption—5mW (typical)
- T = Temperature  
S = Standard 0° to +70°C  
E = Extended -40° to +105°C  
A = Automotive -40° to +125°C
- Speed: 8 MHz
- Three standby modes:
  - STOP—1.3µA (typical)
  - HALT—0.5mA (typical)
  - Low voltage reset
- Special architecture to automate both generation and reception of complex pulses or signals:
  - One programmable 8-bit counter/timer with two capture registers and two load registers
  - One programmable 16-bit counter/timer with one 16-bit capture register pair and one 16-bit load register pair
  - Programmable input glitch filter for pulse reception
- Six priority interrupts
  - Three external
  - Two assigned to counter/timers
  - One low-voltage detection interrupt
- Low voltage detection and high voltage detection flags



- Programmable Watch-Dog Timer (WDT)
- Power-On Reset (POR)
- Two independent comparators with programmable interrupt polarity
- Selectable pull-up transistors on ports 0, 2, 3
- Mask options
  - Port 0: 0–3 pull-ups
  - Port 0: 4–7 pull-ups
  - Port 2: 0–7 pull-ups
  - Port 3: 0–3 pull-ups
  - Watch-Dog Timer at Power On Reset

## General Description

The ZGR163L is a ROM-based member of the MCU family of general purpose microcontrollers. With 1KB to 16KB of program memory and 237B of general purpose RAM, ZiLOG's CMOS microcontrollers offer fast-executing, efficient use of memory, sophisticated interrupts, input/output bit manipulation capabilities, automated pulse generation/reception, and internal key-scan pull-up transistors.

The ZGR163L architecture (Figure 1) is based on ZiLOG's 8-bit microcontroller core with an Expanded Register File allowing access to register-mapped peripherals, input/output (I/O) circuits, and powerful counter/timer circuitry. The Z8 core offers a flexible I/O scheme, an efficient register and address space structure, and a number of ancillary features that are useful in many consumer, automotive, computer peripheral, and battery-operated hand-held applications.

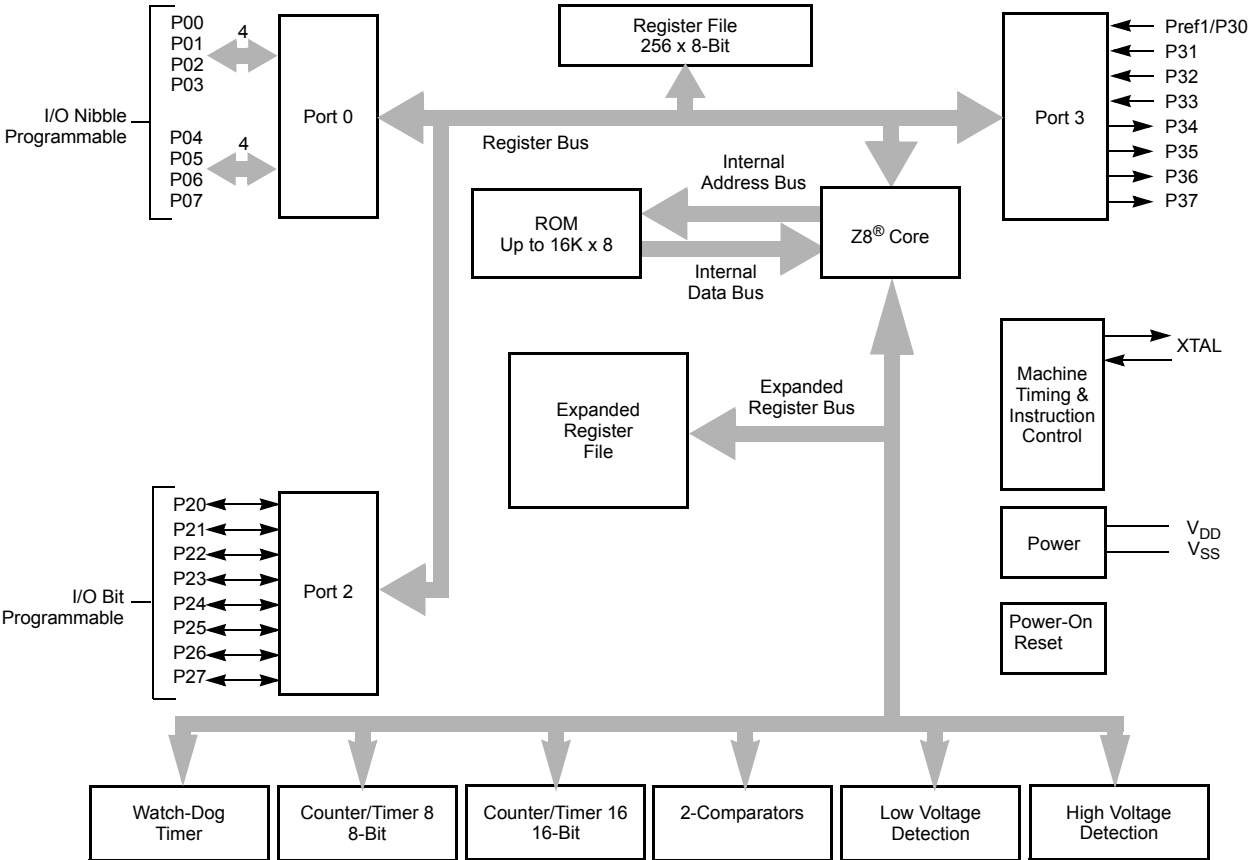
There are three basic address spaces available to support a wide range of configurations: Program Memory, Register File and Expanded Register File. The register file is composed of 256B of RAM. It includes three I/O port registers, 16 control and status registers, and 237 general-purpose registers. The Expanded Register File consists of two additional register groups (F and D).

To unburden the program from coping with such real-time problems as generating complex waveforms or receiving and demodulating complex waveform/pulses, the ZGR163L offers a new intelligent counter/timer architecture with 8-bit and 16-bit counter/timers (see Figure 2). Also included are a large number of user-selectable modes and two on-board comparators to process analog signals with separate reference voltages.

Power connections use the conventional descriptions listed in Table 2.

**Table 2. Power Connections**

Connection	Circuit	Device
Power	V <sub>CC</sub>	V <sub>DD</sub>
Ground	GND	V <sub>SS</sub>



Note: Refer to the specific package for available pins.

**Figure 1. Functional Block Diagram**

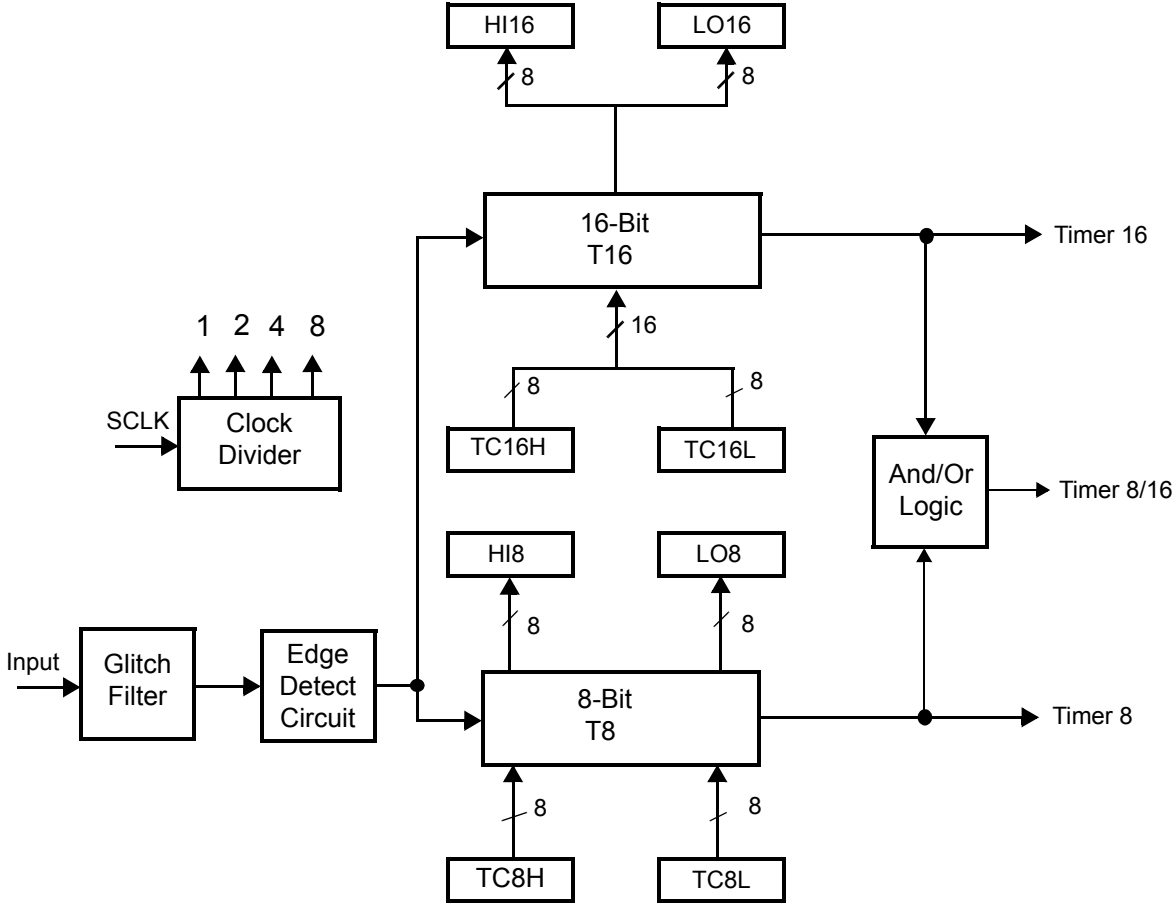
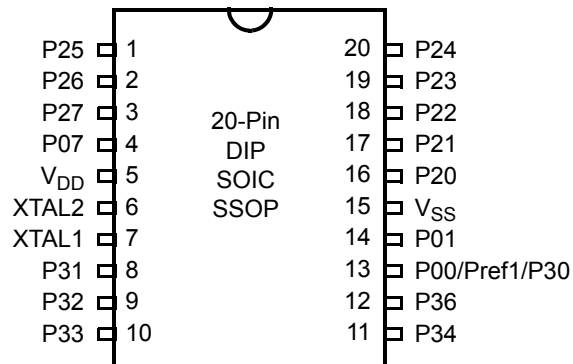


Figure 2. Counter/Timers Diagram

## Pin Description

The pin configuration for the 20-pin DIP/SOIC/SSOP is illustrated in Figure 3 and described in Table 3. The pin configuration for the 28-pin DIP/SOIC/SSOP are depicted in Figure 4 and described in Table 4.



**Figure 3. 20-Pin DIP/SOIC/SSOP Pin Configuration**

**Table 3. 20-Pin DIP/SOIC/SSOP Pin Identification**

Pin #	Symbol	Function	Direction
1–3	P25–P27	Port 2, Bits 5,6,7	Input/Output
4	P07	Port 0, Bit 7	Input/Output
5	V <sub>DD</sub>	Power Supply	
6	XTAL2	Crystal Oscillator Clock	Output
7	XTAL1	Crystal Oscillator Clock	Input
8–10	P31–P33	Port 3, Bits 1,2,3	Input
11,12	P34, P36	Port 3, Bits 4,6	Output
13	P00/Pref1/P30	Port 0, Bit 0/Analog reference input Port 3, Bit 0	Input/Output for P00 Input for Pref1/P30
14	P01	Port 0, Bit 1	Input/Output
15	V <sub>SS</sub>	Ground	
16–20	P20–P24	Port 2, Bits 0,1,2,3,4	Input/Output

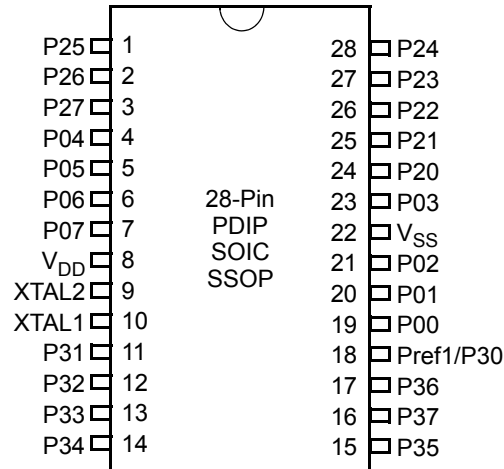


Figure 4. 28-Pin DIP/SOIC/SSOP Pin Configuration

Table 4. 28-Pin DIP/SOIC/SSOP Pin Identification

Pin	Symbol	Direction	Description
1-3	P25-P27	Input/Output	Port 2, Bits 5,6,7
4-7	P04-P07	Input/Output	Port 0, Bits 4,5,6,7
8	V <sub>DD</sub>		Power supply
9	XTAL2	Output	Crystal, oscillator clock
10	XTAL1	Input	Crystal, oscillator clock
11-13	P31-P33	Input	Port 3, Bits 1,2,3
14	P34	Output	Port 3, Bit 4
15	P35	Output	Port 3, Bit 5
16	P37	Output	Port 3, Bit 7
17	P36	Output	Port 3, Bit 6
18	Pref1	Input	Analog ref input; connect to V <sub>CC</sub> if not used Port 3 Bit 0
19-21	P00-P02	Input/Output	Port 0, Bits 0,1,2
22	V <sub>SS</sub>		Ground
23	P03	Input/Output	Port 0, Bit 3
24-28	P20-P24	Input/Output	Port 2, Bits 0-4

## Absolute Maximum Ratings

Stresses greater than those listed in Table 5 might cause permanent damage to the device. This rating is a stress rating only. Functional operation of the device at

any condition above those indicated in the operational sections of these specifications is not implied. Exposure to absolute maximum rating conditions for an extended period might affect device reliability.

**Table 5. Absolute Maximum Ratings**

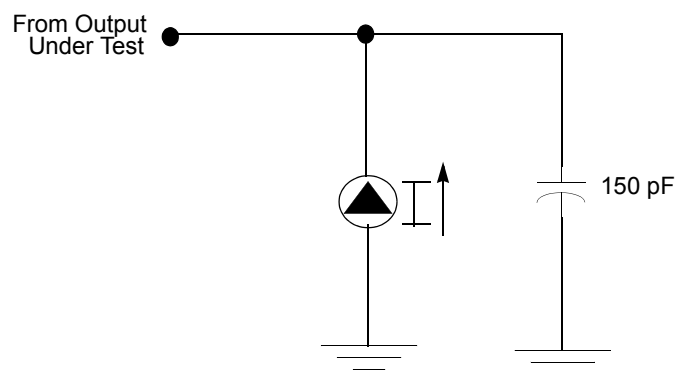
Parameter	Minimum	Maximum	Units	Notes
Ambient temperature under bias	-40	+125	C	
Storage temperature	-65	+150	C	
Voltage on any pin with respect to $V_{SS}$	-0.3	+4.0	V	1
Voltage on $V_{DD}$ pin with respect to $V_{SS}$	-0.3	+3.6	V	
Maximum current on input and/or inactive output pin	-5	+5	mA	
Maximum output current from active output pin	-25	+25	mA	
Maximum current into $V_{DD}$ or out of $V_{SS}$		75	mA	

Note:

1. This voltage applies to all pins except the following:  $V_{DD}$ .

## Standard Test Conditions

The characteristics listed in this product specification apply for standard test conditions as noted. All voltages are referenced to GND. Positive current flows into the referenced pin (see Figure 5).



**Figure 5. Test Load Diagram**

## Capacitance

Table 6 lists the capacitances.

**Table 6. Capacitance**

Parameter	Maximum
Input capacitance	12pF
Output capacitance	12pF
I/O capacitance	12pF

Note:  $T_A = 25^\circ\text{C}$ ,  $V_{CC} = \text{GND} = 0\text{ V}$ ,  $f = 1.0\text{ MHz}$ , unmeasured pins returned to GND

## DC Characteristics

**Table 7. ZGR163LS DC Characteristics**

Symbol	Parameter	$V_{CC}$	$T_A = 0^\circ\text{C to } +70^\circ\text{C}$			Units	Conditions	Notes
			Min	Typ(7)	Max			
$V_{CC}$	Supply Voltage		2.0 V		3.6	V	See Note 5	5
$V_{CH}$	Clock Input High Voltage	2.0-3.6V	$0.8 V_{CC}$		$V_{CC}+0.3$	V	Driven by External Clock Generator	
$V_{CL}$	Clock Input Low Voltage	2.0-3.6V	$V_{SS}-0.3$		0.5	V	Driven by External Clock Generator	
$V_{IH}$	Input High Voltage	2.0-3.6V	$0.7 V_{CC}$		$V_{CC}+0.3$	V		
$V_{IL}$	Input Low Voltage	2.0-3.6V	$V_{SS}-0.3$		$0.2 V_{CC}$	V		
$V_{OH1}$	Output High Voltage	2.0-3.6V	$V_{CC}-0.4$			V	$I_{OH} = -0.5\text{mA}$	
$V_{OH2}$	Output High Voltage (P36, P37, P00, P01)	2.0-3.6V	$V_{CC}-0.8$			V	$I_{OH} = -7\text{mA}$	
$V_{OL1}$	Output Low Voltage	2.0-3.6V			0.4	V	$I_{OL} = 4.0\text{mA}$	
$V_{OL2}$	Output Low Voltage (P00, P01, P36, P37)	2.0-3.6V			0.8	V	$I_{OL} = 10\text{mA}$	
$V_{OFFSET}$	Comparator Input Offset Voltage	2.0-3.6V			25	mV		
$V_{REF}$	Comparator Reference Voltage	2.0-3.6V	0		$V_{DD}$ -1.75	V		
$I_{IL}$	Input Leakage	2.0-3.6V	-1		1	$\mu\text{A}$	$V_{IN} = 0\text{V}$ , $V_{CC}$ Pull-ups disabled	
$R_{PU}$	Pull-up Resistance	2.0V	225		675	K $\Omega$	$V_{IN} = 0\text{V}$ ; Pullups selected by mask option	
		3.6V	75		275	K $\Omega$		
$I_{OL}$	Output Leakage	2.0-3.6V	-1		1	$\mu\text{A}$	$V_{IN} = 0\text{V}$ , $V_{CC}$	
$I_{CC}$	Supply Current	2.0 V		1.2	3	mA	at 8.0MHz	1, 2
		3.6 V		2.1	5	mA	at 8.0MHz	1, 2

**Table 7. ZGR163LS DC Characteristics (Continued)**

Symbol	Parameter	V <sub>CC</sub>	T <sub>A</sub> = 0°C to +70°C			Units	Conditions	Notes
			Min	Typ(7)	Max			
I <sub>CC1</sub>	Standby Current (HALT Mode)	2.0 V		0.5	1.6	mA	V <sub>IN</sub> = 0V, Clock at 8.0MHz Same as above	1, 2,6
		3.6 V		0.8	2.0	mA		
I <sub>CC2</sub>	Standby Current (STOP Mode)	2.0 V		1.2	8	μA	V <sub>IN</sub> = 0 V, V <sub>CC</sub> WDT is not Running	3
		3.6 V		1.4	10	μA		
		2.0 V		3.5	20	μA	V <sub>IN</sub> = 0 V, V <sub>CC</sub> WDT is Running	3
		3.6 V		6.5	30	μA		
I <sub>LV</sub>	Standby Current (Low Voltage)			0.8	6	μA	Measured at 1.3V	4
V <sub>BO</sub>	V <sub>CC</sub> Low Voltage Protection			1.8	2.0	V	8MHz maximum Ext. CLK Freq.	
V <sub>LVD</sub>	V <sub>CC</sub> Low Voltage Detection			2.4		V		
V <sub>HVD</sub>	V <sub>CC</sub> High Voltage Detection			2.7		V		

**Notes:**

1. All outputs unloaded, inputs at rail.
2. CL1 = CL2 = 100 pF.
3. Oscillator stopped.
4. Oscillator stops when V<sub>CC</sub> falls below V<sub>BO</sub> limit.
5. It is strongly recommended to add a filter capacitor (min., 0.1 μF), physically close to V<sub>CC</sub> and V<sub>SS</sub> pins if operating voltage fluctuations are anticipated, such as those resulting from driving an IR LED.
6. Comparator and Timers are on. Interrupt disabled.
7. Typical values shown are at 25°C

**Table 8. ZGR163LE DC Characteristics**

Symbol	Parameter	V <sub>CC</sub>	T <sub>A</sub> = -40°C to +105°C			Units	Conditions	Notes
			Min	Typ(7)	Max			
V <sub>CC</sub>	Supply Voltage		2.0 V		3.6	V	See Note 5	5
V <sub>CH</sub>	Clock Input High Voltage	2.0-3.6V	0.8 V <sub>CC</sub>		V <sub>CC</sub> +0.3	V	Driven by External Clock Generator	
V <sub>CL</sub>	Clock Input Low Voltage	2.0-3.6V	V <sub>SS</sub> -0.3		0.5	V	Driven by External Clock Generator	
V <sub>IH</sub>	Input High Voltage	2.0-3.6V	0.7 V <sub>CC</sub>		V <sub>CC</sub> +0.3	V		
V <sub>IL</sub>	Input Low Voltage	2.0-3.6V	V <sub>SS</sub> -0.3		0.2 V <sub>CC</sub>	V		
V <sub>OH1</sub>	Output High Voltage	2.0-3.6V	V <sub>CC</sub> -0.4			V	I <sub>OH</sub> = -0.5mA	
V <sub>OH2</sub>	Output High Voltage (P36, P37, P00, P01)	2.0-3.6V	V <sub>CC</sub> -0.8			V	I <sub>OH</sub> = -7mA	
V <sub>OL1</sub>	Output Low Voltage	2.0-3.6V			0.4	V	I <sub>OL</sub> = 4.0mA	





Table 8. ZGR163LE DC Characteristics (Continued)

T <sub>A</sub> = -40°C to +105°C								
Symbol	Parameter	V <sub>CC</sub>	Min	Typ(7)	Max	Units	Conditions	Notes
V <sub>OL2</sub>	Output Low Voltage (P00, P01, P36, P37)	2.0-3.6V			0.8	V	I <sub>OL</sub> = 8.0mA	
V <sub>OFFSET</sub>	Comparator Input Offset Voltage	2.0-3.6V			25	mV		
V <sub>REF</sub>	Comparator Reference Voltage	2.0-3.6V	0		V <sub>DD</sub> -1.75 V			
I <sub>IL</sub>	Input Leakage	2.0-3.6V	-1		1	μA	V <sub>IN</sub> = 0V, V <sub>CC</sub> Pull-ups disabled	
R <sub>PU</sub>	Pull-up Resistance	2.0V	200		700	K Ω	V <sub>IN</sub> = 0V; Pullups selected by mask option	
		3.6V	50		300	K Ω		
I <sub>OL</sub>	Output Leakage	2.0-3.6V	-1		1	μA	V <sub>IN</sub> = 0V, V <sub>CC</sub>	
I <sub>CC</sub>	Supply Current	2.0 V		1.2	3	mA	at 8.0MHz	1, 2
		3.6 V		2.1	5	mA	at 8.0MHz	1, 2
I <sub>CC1</sub>	Standby Current (HALT Mode)	2.0 V		0.5	1.6	mA	V <sub>IN</sub> = 0V, Clock at 8.0MHz	1, 2,6
		3.6 V		0.8	2.0	mA	Same as above	
I <sub>CC2</sub>	Standby Current (STOP Mode)	2.0 V		1.2	12	μA	V <sub>IN</sub> = 0 V, V <sub>CC</sub> WDT is not Running	3
		3.6 V		1.4	15	μA		
		2.0 V		3.5	30	μA	V <sub>IN</sub> = 0 V, V <sub>CC</sub> WDT is Running	3
		3.6 V		6.5	40	μA		
I <sub>LV</sub>	Standby Current (Low Voltage)			0.8	6	μA	Measured at 1.3V	4
V <sub>BO</sub>	V <sub>CC</sub> Low Voltage Protection			1.8	2.15	V	8MHz maximum Ext. CLK Freq.	
V <sub>LVD</sub>	V <sub>CC</sub> Low Voltage Detection			2.4		V		
V <sub>HVD</sub>	V <sub>CC</sub> High Voltage Detection			2.7		V		

**Notes:**

1. All outputs unloaded, inputs at rail.
2. CL1 = CL2 = 100 pF.
3. Oscillator stopped.
4. Oscillator stops when V<sub>CC</sub> falls below V<sub>BO</sub> limit.
5. It is strongly recommended to add a filter capacitor (min., 0.1 μF), physically close to V<sub>CC</sub> and V<sub>SS</sub> pins if operating voltage fluctuations are anticipated, such as those resulting from driving an IR LED.
6. Comparator and Timers are on. Interrupt disabled.
7. Typical values shown are at 25°C

Table 9. ZGR163LA DC Characteristics

T <sub>A</sub> = -40°C to +125°C								
Symbol	Parameter	V <sub>CC</sub>	Min	Typ(7)	Max	Units	Conditions	Notes
V <sub>CC</sub>	Supply Voltage		2.0 V		3.6	V	See Note 5	5
V <sub>CH</sub>	Clock Input High Voltage	2.0-3.6V	0.8 V <sub>CC</sub>		V <sub>CC</sub> +0.3	V	Driven by External Clock Generator	
V <sub>CL</sub>	Clock Input Low Voltage	2.0-3.6V	V <sub>SS</sub> -0.3		0.5	V	Driven by External Clock Generator	
V <sub>IH</sub>	Input High Voltage	2.0-3.6V	0.7 V <sub>CC</sub>		V <sub>CC</sub> +0.3	V		
V <sub>IL</sub>	Input Low Voltage	2.0-3.6V	V <sub>SS</sub> -0.3		0.2 V <sub>CC</sub>	V		
V <sub>OH1</sub>	Output High Voltage	2.0-3.6V	V <sub>CC</sub> -0.4			V	I <sub>OH</sub> = -0.5mA	
V <sub>OH2</sub>	Output High Voltage (P36, P37, P00, P01)	2.0-3.6V	V <sub>CC</sub> -0.8			V	I <sub>OH</sub> = -7mA	
V <sub>OL1</sub>	Output Low Voltage	2.0-3.6V			0.4	V	I <sub>OL</sub> = 4.0mA	
V <sub>OL2</sub>	Output Low Voltage (P00, P01, P36, P37)	2.0-3.6V			0.8	V	I <sub>OL</sub> = 8.0mA	
V <sub>OFFSET</sub>	Comparator Input Offset Voltage	2.0-3.6V			25	mV		
V <sub>REF</sub>	Comparator Reference Voltage	2.0-3.6V	0		V <sub>DD</sub> -1.75	V		
I <sub>IL</sub>	Input Leakage	2.0-3.6V	-1		1	μA	V <sub>IN</sub> = 0V, V <sub>CC</sub> Pull-ups disabled	
R <sub>PU</sub>	Pull-up Resistance	2.0V	200		700	K Ω	V <sub>IN</sub> = 0V; Pullups selected by mask option	
		3.6V	50		300	K Ω		
I <sub>OL</sub>	Output Leakage	2.0-3.6V	-1		1	μA	V <sub>IN</sub> = 0V, V <sub>CC</sub>	
I <sub>CC</sub>	Supply Current	2.0 V		1.2	3	mA	at 8.0MHz	1, 2
		3.6 V		2.1	5	mA	at 8.0MHz	1, 2
I <sub>CC1</sub>	Standby Current (HALT Mode)	2.0 V		0.5	1.6	mA	V <sub>IN</sub> = 0V, Clock at 8.0MHz Same as above	1, 2,6
		3.6 V		0.8	2.0	mA		
I <sub>CC2</sub>	Standby Current (STOP Mode)	2.0 V		1.2	15	μA	V <sub>IN</sub> = 0 V, V <sub>CC</sub> WDT is not Running	3
		3.6 V		1.4	20	μA		
		2.0 V		3.5	30	μA	V <sub>IN</sub> = 0 V, V <sub>CC</sub> WDT is Running	3
		3.6 V		6.5	40	μA		
I <sub>LV</sub>	Standby Current (Low Voltage)			0.8	6	μA	Measured at 1.3V	4
V <sub>BO</sub>	V <sub>CC</sub> Low Voltage Protection			1.8	2.15	V	8MHz maximum Ext. CLK Freq.	



**Table 9. ZGR163LA DC Characteristics (Continued)**

$T_A = -40^{\circ}\text{C to } +125^{\circ}\text{C}$								
Symbol	Parameter	$V_{CC}$	Min	Typ(7)	Max	Units	Conditions	Notes
$V_{LVD}$	Vcc Low Voltage Detection			2.4		V		
$V_{HVD}$	Vcc High Voltage Detection			2.7		V		

**Notes:**

1. All outputs unloaded, inputs at rail.
2.  $CL1 = CL2 = 100 \text{ pF}$ .
3. Oscillator stopped.
4. Oscillator stops when  $V_{CC}$  falls below  $V_{BO}$  limit.
5. It is strongly recommended to add a filter capacitor (min.,  $0.1 \mu\text{F}$ ), physically close to  $V_{CC}$  and  $V_{SS}$  pins if operating voltage fluctuations are anticipated, such as those resulting from driving an IR LED.
6. Comparator and Timers are on. Interrupt disabled.
7. Typical values shown are at  $25^{\circ}\text{C}$

### AC Characteristics

Figure 6 and Table 10 describe the Alternating Current (AC) characteristics.

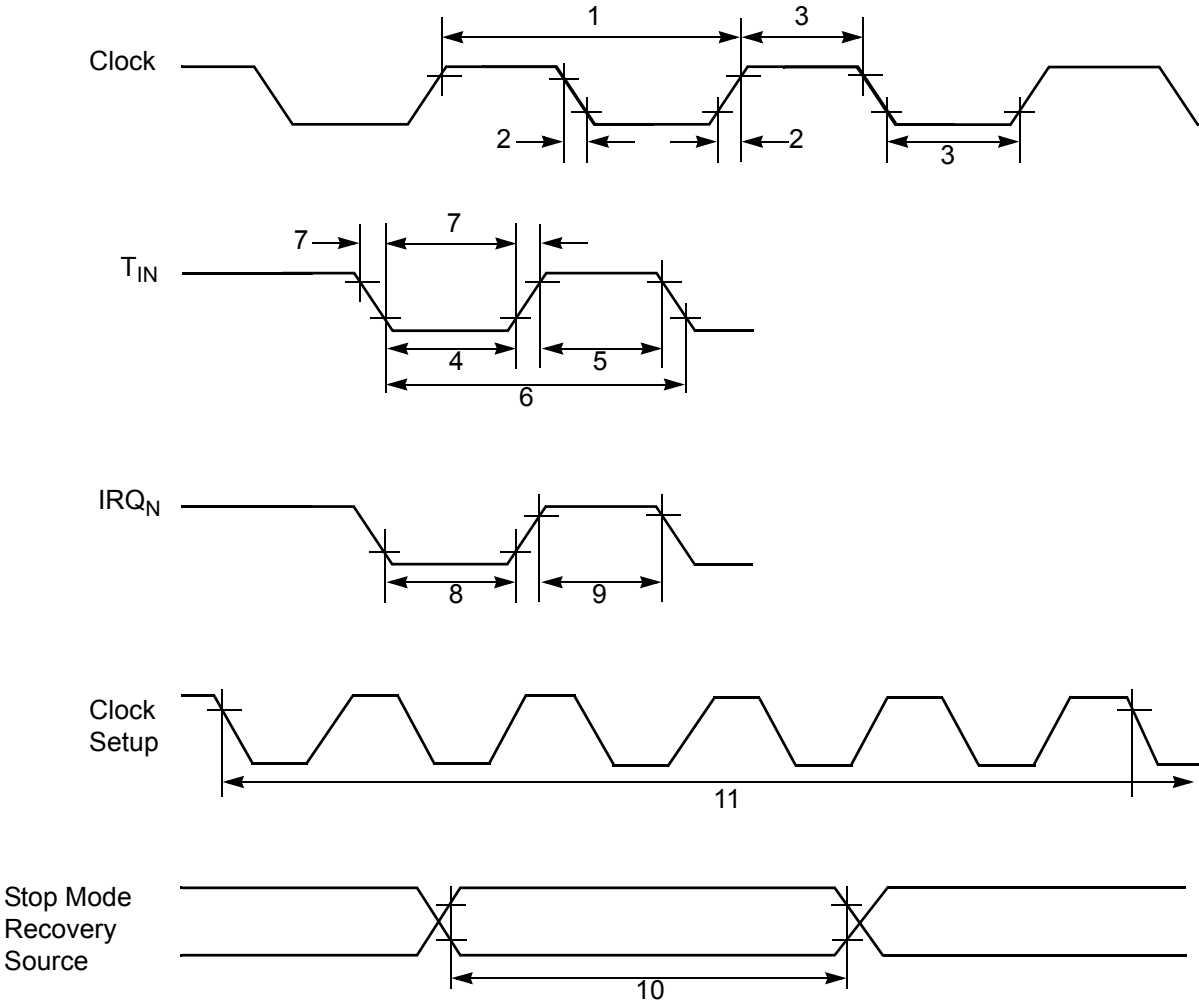


Figure 6. AC Timing Diagram



Table 10.AC Characteristics

No	Symbol	Parameter	V <sub>CC</sub>	T <sub>A</sub> = 0°C to +70°C (S) -40°C to +105°C (E) -40°C to +125°C (A) 8.0MHz		Units	Notes	Watch-Dog Timer Mode Register (D1, D0)
				Minimum	Maximum			
1	TpC	Input Clock Period	2.0–3.6	121	DC	ns	1	
2	TrC, TfC	Clock Input Rise and Fall Times	2.0–3.6		25	ns	1	
3	TwC	Input Clock Width	2.0–3.6	37		ns	1	
4	TwTinL	Timer Input Low Width	2.0 3.6	100 70		ns	1	
5	TwTinH	Timer Input High Width	2.0–3.6	3TpC			1	
6	TpTin	Timer Input Period	2.0–3.6	8TpC			1	
7	TrTin, TfTin	Timer Input Rise and Fall Timers	2.0–3.6		100	ns	1	
8	TwIL	Interrupt Request Low Time	2.0 3.6	100 70		ns	1, 2	
9	TwIH	Interrupt Request Input High Time	2.0–3.6	5TpC			1, 2	
10	Twsm	Stop-Mode Recovery Width Spec	2.0–3.6	12 5TpC		ns	3 4	
11	Tost	Oscillator Start-Up Time	2.0–3.6		5TpC		4	
12	Twdt	Watch-Dog Timer Delay Time	2.0–3.6 2.0–3.6 2.0–3.6 2.0–3.6	5 10 20 80		ms ms ms ms	0, 0 0, 1 1, 0 1, 1	
13	T <sub>POR</sub>	Power-On Reset	2.0–3.6	2.5	10	ms		

Notes:

1. Timing Reference uses 0.9 V<sub>CC</sub> for a logic 1 and 0.1 V<sub>CC</sub> for a logic 0.
2. Interrupt request through Port 3 (P33–P31).
3. SMR – D5 = 1.
4. SMR – D5 = 0.

## Pin Functions

### XTAL1 Crystal 1 (Time-Based Input)

This pin connects a parallel-resonant crystal, ceramic resonator, or LC to the on-chip oscillator input. Additionally, an external single-phase clock can be connected to the on-chip oscillator input.

### XTAL2 Crystal 2 (Time-Based Output)

This pin connects a parallel-resonant crystal or ceramic resonator to the on-chip oscillator output.

### Port 0 (P07–P00)

Port 0 is an 8-bit, bidirectional, CMOS-compatible port. These eight I/O lines are configured under software control as a nibble I/O port. The output drivers are push-pull or open-drain controlled by bit D2 in the PCON register.

If one or both nibbles are needed for I/O operation, they must be configured by writing to the Port 0 mode register. After a hardware reset, Port 0 is configured (Figure 7) as an input port.

An optional pull-up transistor is available as a OTP/mask option on all Port 0 bits with nibble select.

- **Notes:** Internal pull-ups are disabled on any given pin or group of port pins when programmed into Output mode.

The Port 0 direction is reset to its default state following an SMR.

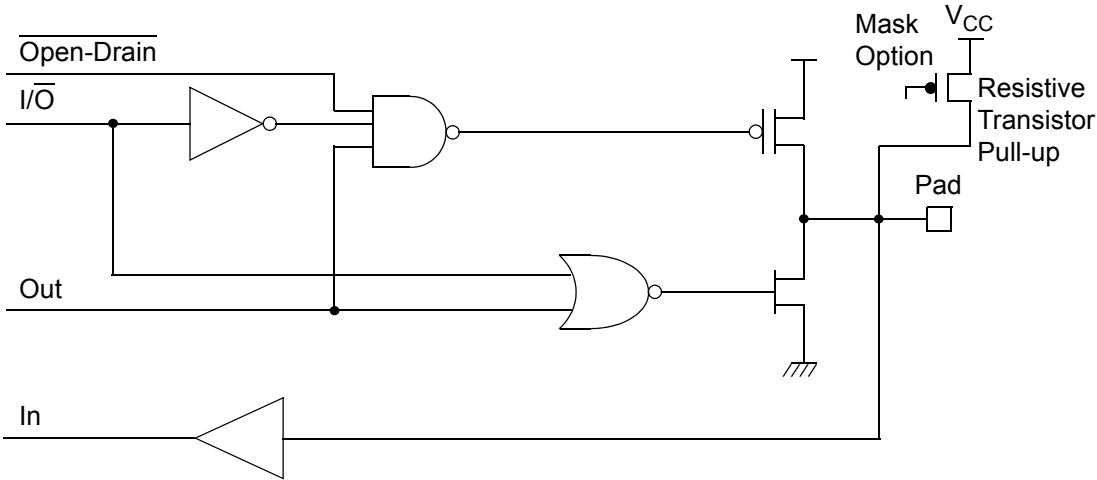
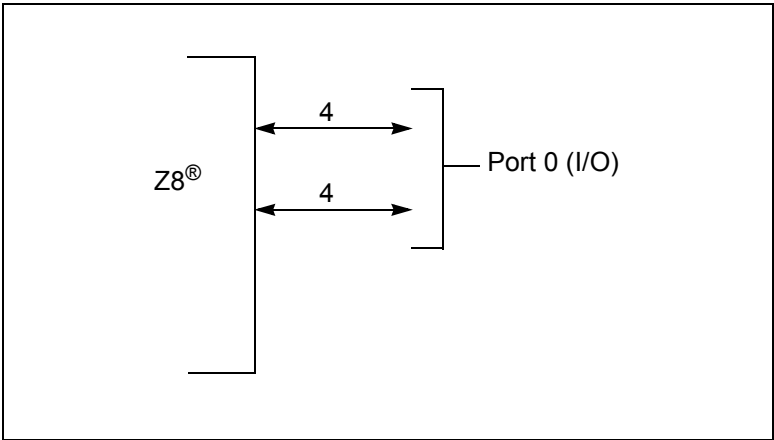


Figure 7. Port 0 Configuration

**Port 2 (P27–P20)**

Port 2 is an 8-bit, bidirectional, CMOS-compatible I/O port (see Figure 8). These eight I/O lines can be independently configured under software control as inputs or outputs. Port 2 is always available for I/O operation. A mask option is available to connect eight pull-up transistors on this port. Bits programmed as outputs are globally programmed as either push-pull or open-drain. The POR resets with the eight bits of Port 2 configured as inputs.

Port 2 also has an 8-bit input OR and AND gate, which can be used to wake up the part. P20 can be programmed to access the edge-detection circuitry in Demodulation mode.

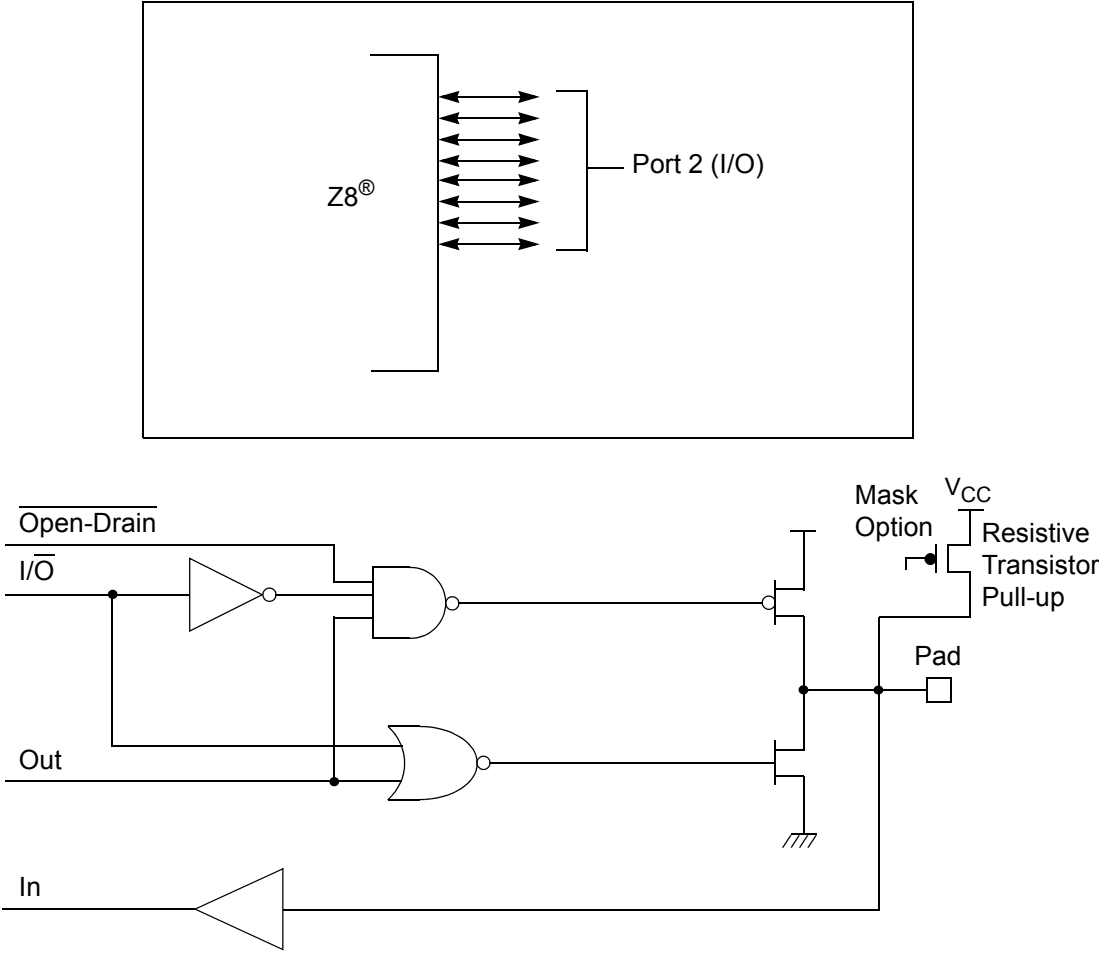
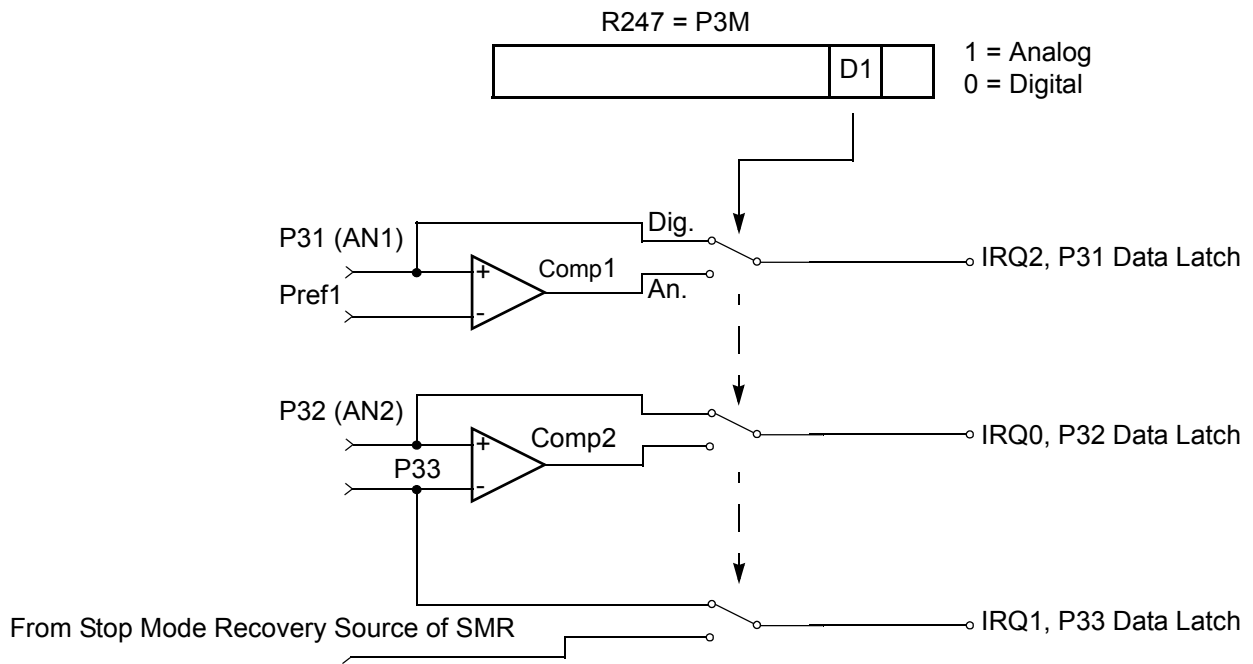
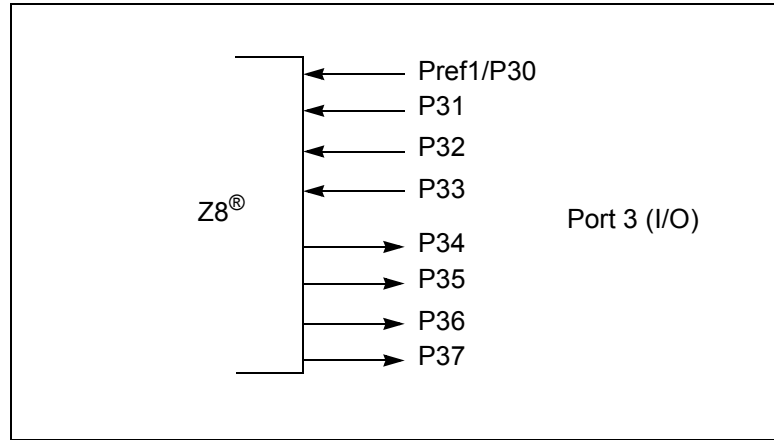


Figure 8. Port 2 Configuration

**Port 3 (P37–P30)**

Port 3 is an 8-bit, CMOS-compatible fixed I/O port (see Figure 9). Port 3 consists of four fixed input (P33–P30) and four fixed output (P37–P34), which can be configured under software control for interrupt and as output from the counter/timers. P30, P31, P32, and P33 are standard CMOS inputs; P34, P35, P36, and P37 are push-pull outputs.





**Figure 9. Port 3 Configuration**

Two on-board comparators process analog signals on P31 and P32, with reference to the voltage on Pref1 and P33. The analog function is enabled by programming the Port 3 Mode Register (bit 1). P31 and P32 are programmable as rising, falling, or both edge triggered interrupts (IRQ register bits 6 and 7). Pref1 and P33 are the comparator reference voltage inputs. Access to the Counter Timer edge-detection circuit is through P31 or P20 (see “T8 and T16 Common Functions—“T8



and T16 Common Functions—CTR1(0D)01h” on page 31). Other edge detect and IRQ modes are described in Table 11.

- ▶ **Note:** Comparators are powered down by entering Stop Mode. For P31–P33 to be used in a Stop Mode Recovery (SMR) source, these inputs must be placed into Digital mode.

<sup>2</sup>  
**Table 11. Port 3 Pin Function Summary**

Pin	I/O	Counter/Timers	Comparator	Interrupt
Pref1/P30	IN		RF1	
P31	IN	IN	AN1	IRQ2
P32	IN		AN2	IRQ0
P33	IN		RF2	IRQ1
P34	OUT	T8	AO1	
P35	OUT	T16		
P36	OUT	T8/16		
P37	OUT		AO2	
P20	I/O	IN		

Port 3 also provides output for each of the counter/timers and the AND/OR Logic (see Figure 10). Control is performed by programming bits D5–D4 of CTR1, bit 0 of CTR0, and bit 0 of CTR2.

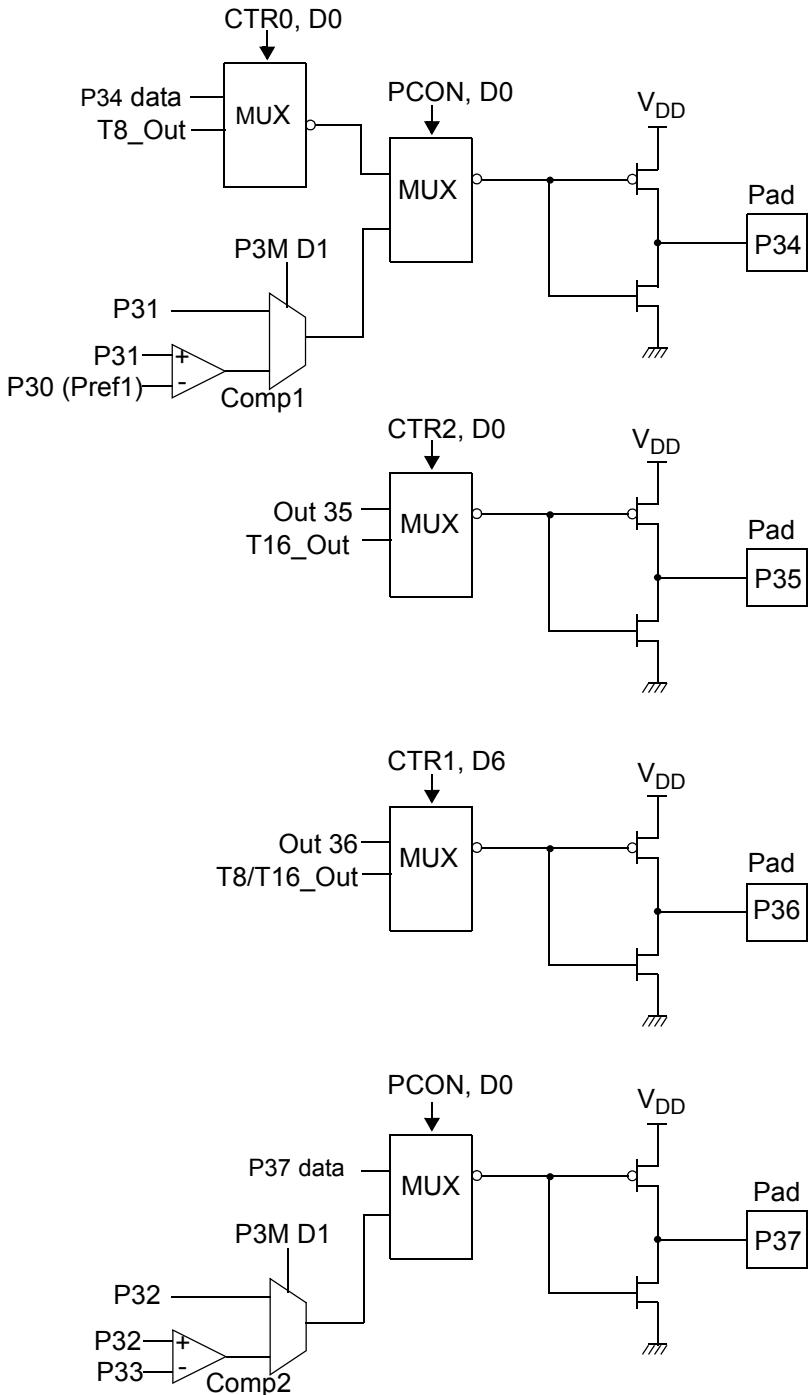


Figure 10. Port 3 Counter/Timer Output Configuration



### Comparator Inputs

In ANALOG mode, P31 and P32 have a comparator front end. The comparator reference is supplied to P33 and Pref1. In this mode, the P33 internal data latch and its corresponding IRQ1 are diverted to the SMR sources (excluding P31, P32, and P33) as indicated in Figure 9 on page 18. In digital mode, P33 is used as D3 of the Port 3 input register, which then generates IRQ1.

- ▶ **Note:** Comparators are powered down by entering STOP mode. For P31–P33 to be used in a STOP Mode Recovery source, these inputs must be placed into Digital mode.

### Comparator Outputs

These channels can be programmed to be output on P34 and P37 through the PCON register.

## Functional Description

These devices incorporate special functions to enhance the Z8<sup>®</sup>'s functionality in consumer and battery-operated applications.

### Program Memory

These devices address from 1KB to 16KB of program memory. The first 12 Bytes are reserved for interrupt vectors. These locations contain the six 16-bit vectors that correspond to the six available interrupts.

### RAM

The ZGR163L product family features 237 Bytes of general-purpose RAM. See Figure 11.

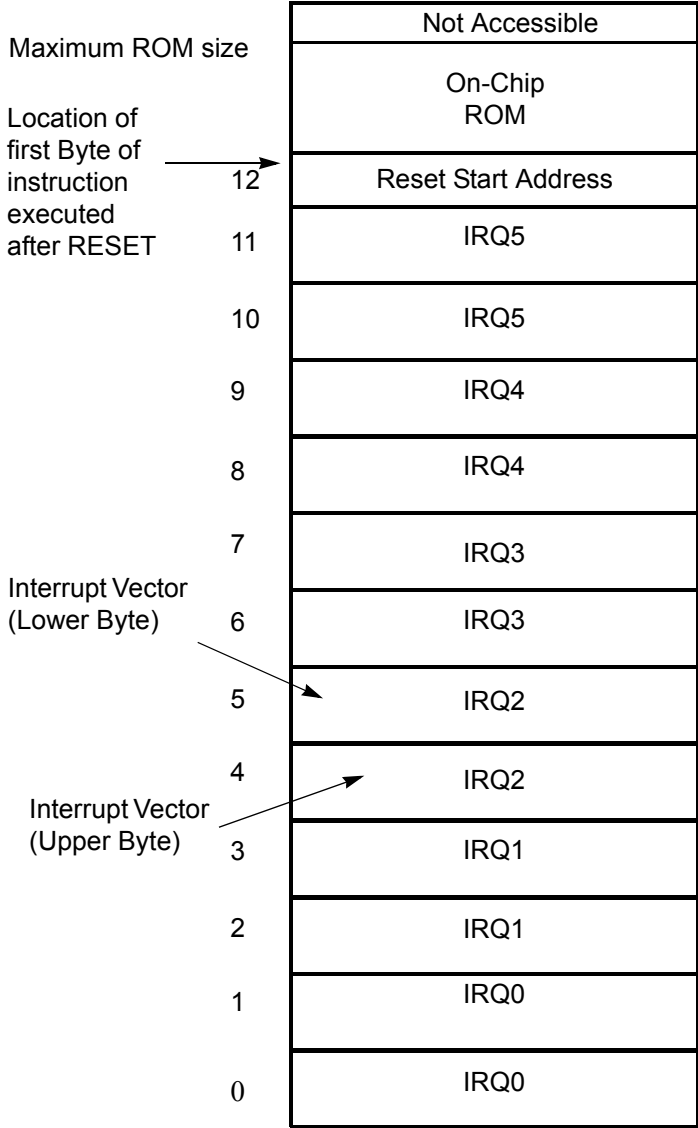


Figure 11. Program Memory Map for ROM

**Expanded Register File**

The register file has been expanded to allow for additional system control registers and for mapping of additional peripheral devices into the register address area. The Z8<sup>®</sup> register address space (0 through 15 (0Fh)) has been implemented as 16 banks, with 16 registers per bank. These register banks are known as the ERF (Expanded Register File).



Bits 7–4 of register RP select the working register group. Bits 3–0 of register RP select the expanded register file bank.

- **Note:** An expanded register bank is also referred to as an expanded register group (see Figure 12).

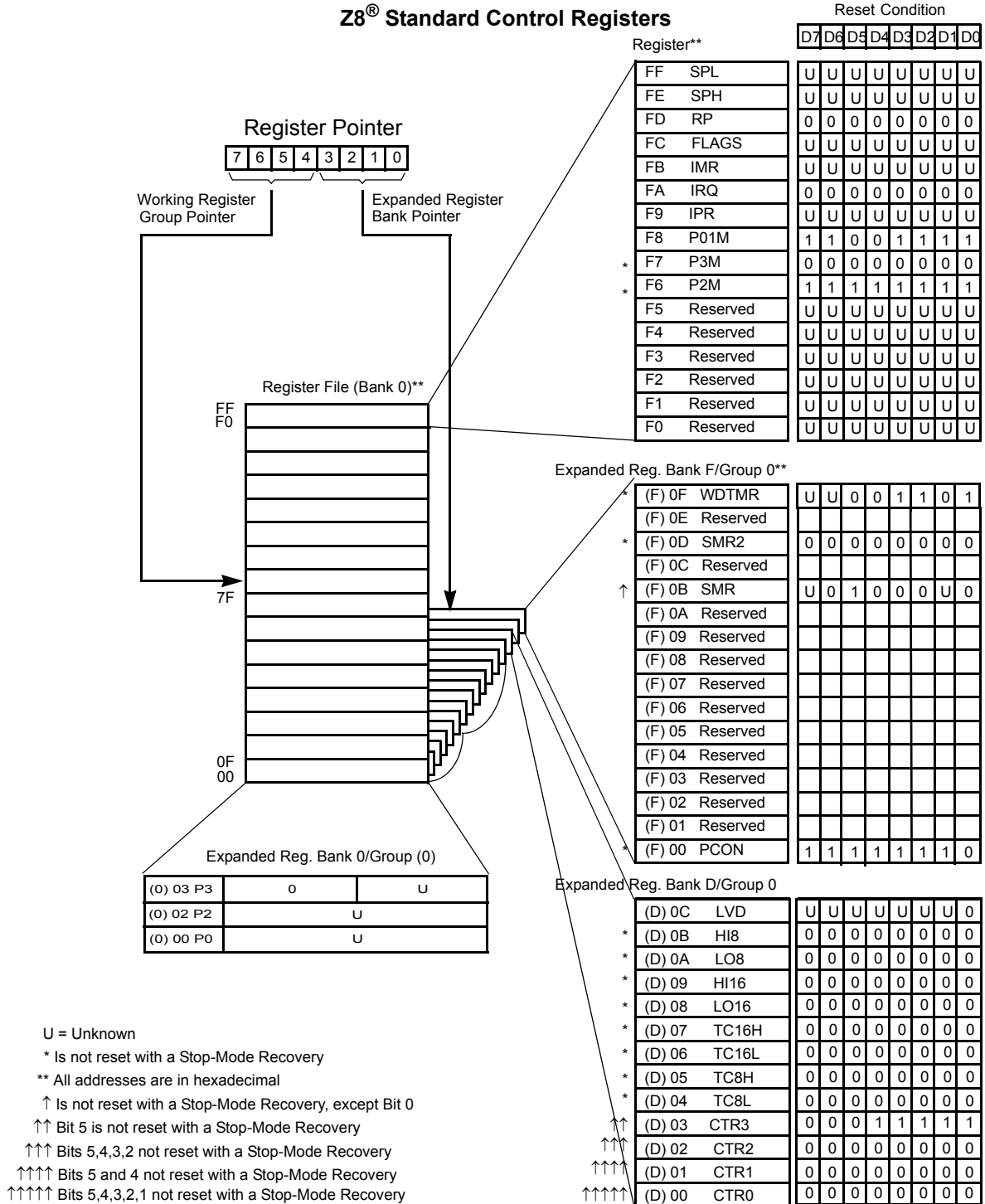


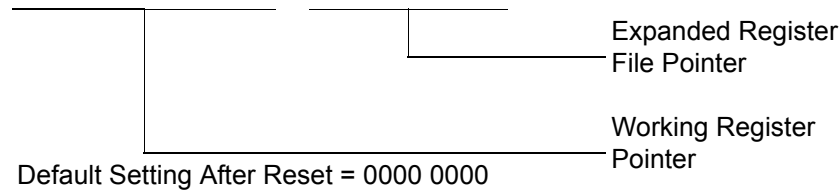
Figure 12. Expanded Register File Architecture



The upper nibble of the register pointer (see Figure 13) selects which working register group, of 16 bytes in the register file, is accessed out of the possible 256. The lower nibble selects the expanded register file bank and banks 0, F, and D are implemented. A 0h in the lower nibble allows the normal register file (bank 0) to be addressed. Any other value from 1h to Fh exchanges the lower 16 registers to the selected expanded register bank.

R253 RP

D7	D6	D5	D4	D3	D2	D1	D0
----	----	----	----	----	----	----	----



**Figure 13. Register Pointer**

**Example: (See Figure 12 on page 24)**

R253 RP = 00h

R0 = Port 0

R2 = Port 2

R3 = Port 3

But if:

R253 RP = 0Dh

R0 = CTRL0

R1 = CTRL1

R2 = CTRL2

R3 = Reserved





The counter/timers are mapped into ERF group D. Access is easily performed using the following:

```

LD      RP, #0Dh      ;Select ERF D for
                    ;access to bank D
                    ;(working register group 0)
LD      R0,#xx        ;load CTR0
LD      1, #xx        ;load CTR1
LD      R1, 2         ;CTR2→CTR1

LD      RP, #0Dh      ;Select ERF D for
                    ;access to bank D
                    ; (working register group 0)
LD      RP, #7Dh      ;Select expanded register bank D and
working
                    ;register group 7 of bank 0 for access.
LD      71h, 2        ;CTRL2→register 71h
LD      R1, 2         ;CTRL2→register 71h

```

## Register File

The register file (bank 0) consists of 3 I/O port registers, 237 general-purpose registers, 14 control and status registers (R0, R2, R3, R4–R239, and R240–R255, respectively), and two expanded register Banks D (see Table 12) and F. Instructions can access registers directly or indirectly through an 8-bit address field, thereby allowing a short, 4-bit register address to use the Register Pointer (Figure 14). In the 4-bit mode, the register file is divided into 16 working register groups, each occupying 16 continuous locations. The Register Pointer addresses the starting location of the active working register group.

- ▶ **Note:** Register address E0h–EFh can only be accessed through working registers and indirect addressing modes.

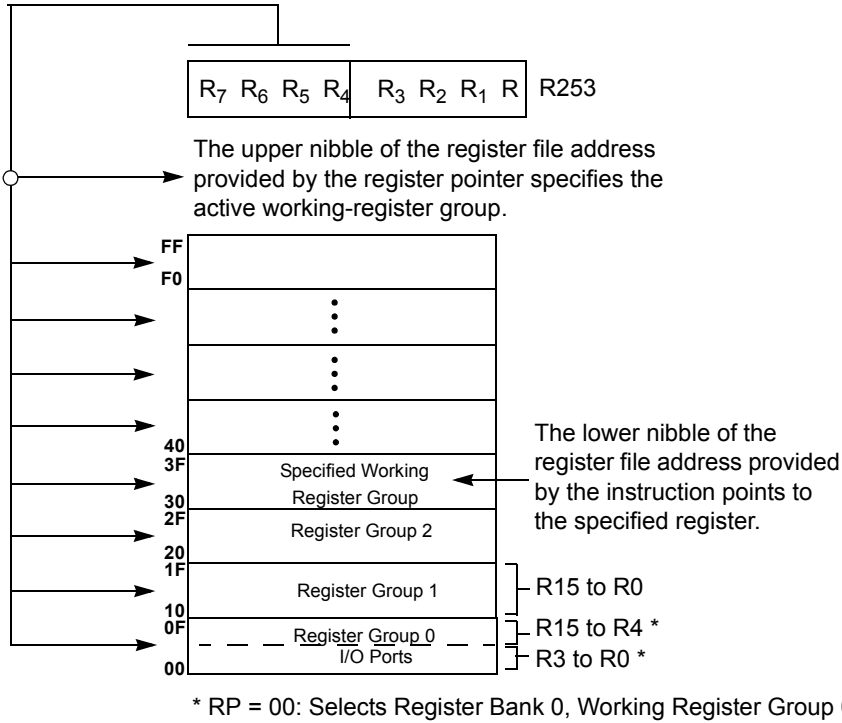


Figure 14. Register Pointer—Detail

Stack

The internal register file is used for the stack. An 8-bit Stack Pointer SPL (R255) is used for the internal stack that resides in the general-purpose registers (R4–R239). SPH (R254) can be used as a general-purpose register.



## Timers

### T8\_Capture\_HI—HI8(0D)0Bh

This register holds the captured data from the output of the 8-bit Counter/Timer0. Typically, this register holds the number of counts when the input signal is 1.

Field	Bit Position	Description
T8_Capture_HI	[7:0]	R/W Captured Data - No Effect

### T8\_Capture\_LO—L08(0D)0Ah

This register holds the captured data from the output of the 8-bit Counter/Timer0. Typically, this register holds the number of counts when the input signal is 0.

Field	Bit Position	Description
T8_Capture_LO	[7:0]	R/W Captured Data - No Effect

### T16\_Capture\_HI—HI16(0D)09h

This register holds the captured data from the output of the 16-bit Counter/Timer16. This register holds the MS-Byte of the data.

Field	Bit Position	Description
T16_Capture_HI	[7:0]	R/W Captured Data - No Effect

### T16\_Capture\_LO—L016(0D)08h

This register holds the captured data from the output of the 16-bit Counter/Timer16. This register holds the LS-Byte of the data.

Field	Bit Position	Description
T16_Capture_LO	[7:0]	R/W Captured Data - No Effect

### Counter/Timer2 MS-Byte Hold Register—TC16H(0D)07h

Field	Bit Position	Description
T16_Data_HI	[7:0]	R/W Data



### Counter/Timer2 LS-Byte Hold Register—TC16L(0D)06h

Field	Bit Position	Description
T16_Data_LO	[7:0]	R/W Data

### Counter/Timer8 High Hold Register—TC8H0(D)05h

Field	Bit Position	Description
T8_Level_HI	[7:0]	R/W Data

### Counter/Timer8 Low Hold Register—TC8L(0D)04h

Field	Bit Position	Description
T8_Level_LO	[7:0]	R/W Data

### CTR0 Counter/Timer8 Control Register—CTR0(0D)00h

Table 12 lists and briefly describes the fields for this register.

**Table 12. CTR0(0D)00h Counter/Timer8 Control Register**

Field	Bit Position		Value	Description
T8_Enable	7-----	R/W	0*	Counter Disabled
			1	Counter Enabled
			0	Stop Counter
			1	Enable Counter
Single/Modulo-N	-6-----	R/W	0*	Modulo-N
			1	Single Pass
Time_Out	--5-----	R/W	0**	No Counter Time-Out
			1	Counter Time-Out Occurred
			0	No Effect
			1	Reset Flag to 0
T8_Clock	---43---	R/W	0 0**	SCLK
			0 1	SCLK/2
			1 0	SCLK/4
			1 1	SCLK/8
Capture_INT_Mask	----2--	R/W	0**	Disable Data Capture Interrupt
			1	Enable Data Capture Interrupt

**Table 12. CTR0(0D)00h Counter/Timer8 Control Register (Continued)**

Field	Bit Position		Value	Description
Counter_INT_Mask	-----1-	R/W	0**	Disable Time-Out Interrupt
			1	Enable Time-Out Interrupt
P34_Out	-----0	R/W	0*	P34 as Port Output
			1	T8 Output on P34

**Note:**

\*Indicates the value at Power-On Reset.

\*\*Indicates the value at Per-On Reset. Not reset with a Stop-Mode recovery.

**T8 Enable**

This field enables T8 when set (written) to 1.

**Single/Modulo-N**

When set to 0 (Modulo-N), the counter reloads the initial value when the terminal count is reached. When set to 1 (Single-Pass), the counter stops when the terminal count is reached.

**Timeout**

This bit is set when T8 times out (terminal count reached). To reset this bit, write a 1 to its location.



**Caution:** Writing a 1 is the only way to reset the Terminal Count status condition. Reset this bit before using/enabling the counter/timers.

The first clock of T8 might not have complete clock width and can occur any time when enabled.



**Note:** Take care when using the OR or AND commands to manipulate CTR0, bit 5 and CTR1, bits 0 and 1 (Demodulation Mode). These instructions use a Read-Modify-Write sequence in which the current status from the CTR0 and CTR1 registers is ORed or ANDed with the designated value and then written back into the registers.

**T8 Clock**

This bit defines the frequency of the input signal to T8.



### Capture\_INT\_Mask

Set this bit to allow an interrupt when data is captured into either LO8 or HI8 upon a positive or negative edge detection in Capture Mode.

### Counter\_INT\_Mask

Set this bit to allow an interrupt when T8 has a timeout.

### P34\_Out

This bit defines whether P34 is used as a normal output pin or the T8 output.

### T8 and T16 Common Functions—CTR1(0D)01h

This register controls the functions in common with the T8 and T16.

Table 13 lists and briefly describes the fields for this register.

**Table 13. CTR1(0D)01h T8 and T16 Common Functions**

Field	Bit Position		Value	Description
Mode	7-----	R/W	0*	Transmit Mode
			1	Demodulation Mode
P36_Out/ Capture_Input	-6-----	R/W	0*	Transmit Mode
			1	Port Output
			0*	T8/T16 Output
			1	Demodulation Mode
T8/T16_Logic/ Edge_Detect	--54----	R/W	0*	P31
			1	P20
			00**	Transmit Mode
			01	AND
			10	OR
			11	NOR
			00**	NAND
			01	Demodulation Mode
10	Falling Edge			
11	Rising Edge			
			10	Both Edges
			11	Reserved



**Table 13. CTR1(0D)01h T8 and T16 Common Functions (Continued)**

Field	Bit Position		Value	Description
Transmit_Submode/ Glitch_Filter	----32--	R/W	00	Transmit Mode
			01	Normal Operation
			10	Ping-Pong Mode
			11	T16_Out = 0
			11	T16_Out = 1
			00	No Filter
			01	4 SCLK Cycle
			10	8 SCLK Cycle
			11	Reserved
Initial_T8_Out/ Rising Edge	-----1-	R/W	0	Transmit Mode
			1	T8_OUT is 0 Initially
			1	T8_OUT is 1 Initially
		R	0	No Rising Edge
			1	Rising Edge Detected
		W	0	No Effect
			1	Reset Flag to 0
Initial_T16_Out/ Falling Edge	-----0	R/W	0	Transmit Mode
			1	T16_OUT is 0 Initially
			1	T16_OUT is 1 Initially
		R	0	No Falling Edge
			1	Falling Edge Detected
		W	0	No Effect
			1	Reset Flag to 0

**Note:**

\*Default at Power-On Reset

\*\*Indicates value upon Power-On Reset. Not reset with a Stop Mode recovery.

**Mode**

If the result is 0, the counter/timers are in Transmit mode; otherwise, they are in Demodulation Mode.

**P36\_Out/Capture\_Input**

In Transmit Mode, this bit defines whether P36 is used as a normal output pin or the combined output of T8 and T16.

In Demodulation Mode, this bit defines whether the input signal to the Counter/ Timers is from P20 or P31.



If the input signal is from Port 31, a capture event may also generate an IRQ2 interrupt. To prevent generating an IRQ2, either disable the IRQ2 interrupt by clearing its IMR bit D2 or use P20 as the input.

#### **T8/T16\_Logic/Edge\_Detect**

In Transmit Mode, this field defines how the outputs of T8 and T16 are combined (AND, OR, NOR, NAND).

In Demodulation Mode, this field defines which edge should be detected by the edge detector.

#### **Transmit\_Submode/Glitch Filter**

In Transmit Mode, this field defines whether T8 and T16 are in the Ping-Pong mode or in independent normal operation mode. Setting this field to “Normal Operation Mode” terminates the “Ping-Pong Mode” operation. When set to 10, T16 is immediately forced to a 0; a setting of 11 forces T16 to output a 1.

In Demodulation Mode, this field defines the width of the glitch that must be filtered out.

#### **Initial\_T8\_Out/Rising\_Edge**

In Transmit Mode, if 0, the output of T8 is set to 0 when it starts to count. If 1, the output of T8 is set to 1 when it starts to count. When the counter is not enabled and this bit is set to 1 or 0, T8\_OUT is set to the opposite state of this bit. This ensures that when the clock is enabled, a transition occurs to the initial state set by CTR1, D1.

In Demodulation Mode, this bit is set to 1 when a rising edge is detected in the input signal. In order to reset the mode, a 1 should be written to this location.

#### **Initial\_T16 Out/Falling\_Edge**

In Transmit Mode, if it is 0, the output of T16 is set to 0 when it starts to count. If it is 1, the output of T16 is set to 1 when it starts to count. This bit is effective only in Normal or Ping-Pong Mode (CTR1, D3; D2). When the counter is not enabled and this bit is set, T16\_OUT is set to the opposite state of this bit. This ensures that when the clock is enabled, a transition occurs to the initial state set by CTR1, D0.

In Demodulation Mode, this bit is set to 1 when a falling edge is detected in the input signal. In order to reset it, a 1 should be written to this location.

- **Note:** Modifying CTR1 (D1 or D0) while the counters are enabled causes unpredictable output from T8/16\_OUT.

#### **CTR2 Counter/Timer 16 Control Register—CTR2(0D)02h**

Table 14 lists and briefly describes the fields for this register.





**Table 14. CTR2(0D)02h: Counter/Timer16 Control Register**

Field	Bit Position		Value	Description
T16_Enable	7-----	R	0*	Counter Disabled
			1	Counter Enabled
		W	0	Stop Counter
			1	Enable Counter
Single/Modulo-N	-6-----	R/W	0	Transmit Mode
			1	Modulo-N
				Single Pass
				Demodulation Mode
Time_Out	--5-----	R	0**	T16 Recognizes Edge
			1	T16 Does Not Recognize Edge
		W	0	No Counter Timeout
			1	Counter Timeout Occurred
T16_Clock	---43---	R/W	00**	No Effect
			01	Reset Flag to 0
			10	SCLK
			11	SCLK/2
Capture_INT_Mask	-----2--	R/W	0**	SCLK/4
			1	SCLK/8
Counter_INT_Mask	-----1-	R/W	0*	Disable Data Capture Int.
			1	Enable Data Capture Int.
P35_Out	-----0	R/W	0*	Disable Timeout Int.
			1	Enable Timeout Int.

**Note:**

\*Indicates the value upon Power-On Reset.

\*\*Indicates the value upon Power-On Reset. Not reset with a Stop Mode recovery.

**T16\_Enable**

This field enables T16 when set to 1.

**Single/Modulo-N**

In Transmit Mode, when set to 0, the counter reloads the initial value when it reaches the terminal count. When set to 1, the counter stops when the terminal count is reached.



In Demodulation Mode, when set to 0, T16 captures and reloads on detection of all the edges. When set to 1, T16 captures and detects on the first edge but ignores the subsequent edges. For details, see the description of T16 Demodulation Mode on page 43.

### Time\_Out

This bit is set when T16 times out (terminal count reached). To reset the bit, write a 1 to this location.

### T16\_Clock

This bit defines the frequency of the input signal to Counter/Timer16.

### Capture\_INT\_Mask

This bit is set to allow an interrupt when data is captured into LO16 and HI16.

### Counter\_INT\_Mask

Set this bit to allow an interrupt when T16 times out.

### P35\_Out

This bit defines whether P35 is used as a normal output pin or T16 output.

### CTR3 T8/T16 Control Register—CTR3(0d)03h

Table 15 lists and briefly describes the fields for this register. This register allow the T8 and T16 counters to be synchronized.

**Table 15. CTR3(0D)03h T8/T16 Control Register**

T16_Enable	7-----	R	0*	Counter Disabled
		R	1	Counter Enabled
		WW	0	Stop Counter
			1	Enable Counter
T8 Enable	-6-----	R/W	0**	Counter Disabled
			1	Counter Enabled
			0	Stop Counter
			1	Enable Counter
Sync Mode	--5-----	R/W	0*	Disable Sync Mode
			1	Enable Sync Mode
Reserved	---43210	R/W	1	Always reads 11111
			x	No Effect

#### Note:

\*Indicates the value upon Power-On Reset.

\*\*Indicates the value upon Power-On Reset. Not reset with a Stop Mode recovery.



### Counter/Timer Functional Blocks

#### Input Circuit

The edge detector monitors the input signal on P31 or P20. Based on CTR1 D5–D4, a pulse is generated at the Pos Edge or Neg Edge line when an edge is detected. Glitches in the input signal that have a width less than specified (CTR1 D3, D2) are filtered out (see Figure 15).

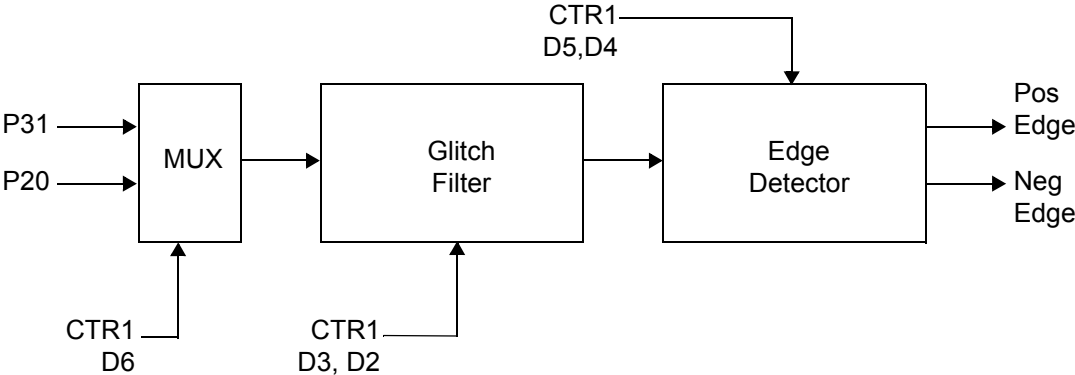


Figure 15. Glitch Filter Circuitry

#### T8 Transmit Mode

Before T8 is enabled, the output of T8 depends on CTR1, D1. If it is 0, T8\_OUT is 1; if it is 1, T8\_OUT is 0. See Figure 16.

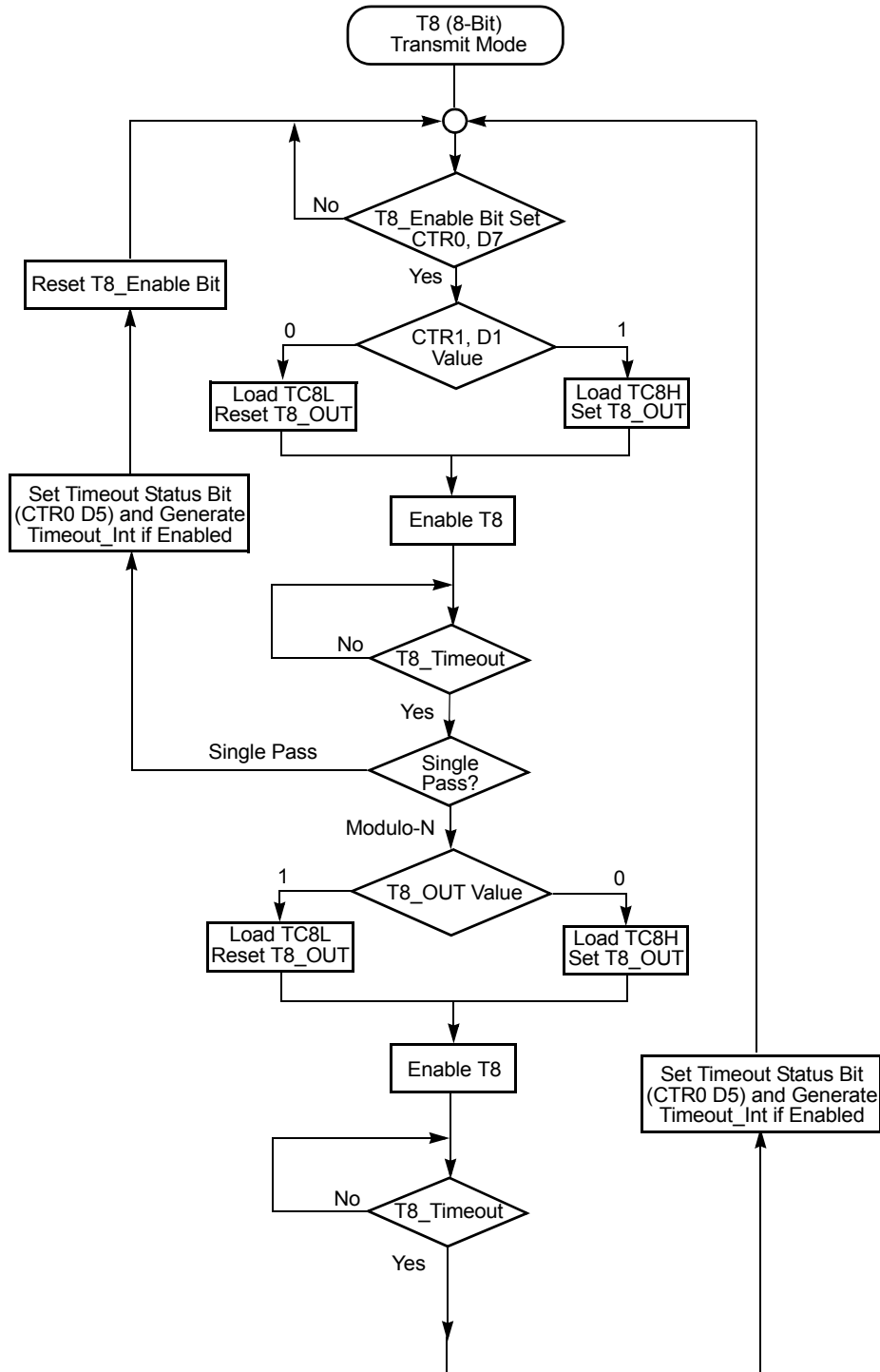


Figure 16. Transmit Mode Flowchart

When T8 is enabled, the output T8\_OUT switches to the initial value (CTR1, D1). If the initial value (CTR1, D1) is 0, TC8L is loaded; otherwise, TC8H is loaded into the counter. In Single-Pass Mode (CTR0, D6), T8 counts down to 0 and stops, T8\_OUT toggles, the timeout status bit (CTR0, D5) is set, and a timeout interrupt can be generated if it is enabled (CTR0, D1). In Modulo-N Mode, upon reaching terminal count, T8\_OUT is toggled, but no interrupt is generated. From that point, T8 loads a new count (if the T8\_OUT level now is 0), TC8L is loaded; if it is 1, TC8H is loaded. T8 counts down to 0, toggles T8\_OUT, and sets the timeout status bit (CTR0, D5), thereby generating an interrupt if enabled (CTR0, D1). One cycle is complete. T8 then loads from TC8H or TC8L according to the T8\_OUT level and repeats the cycle. See Figure 17.

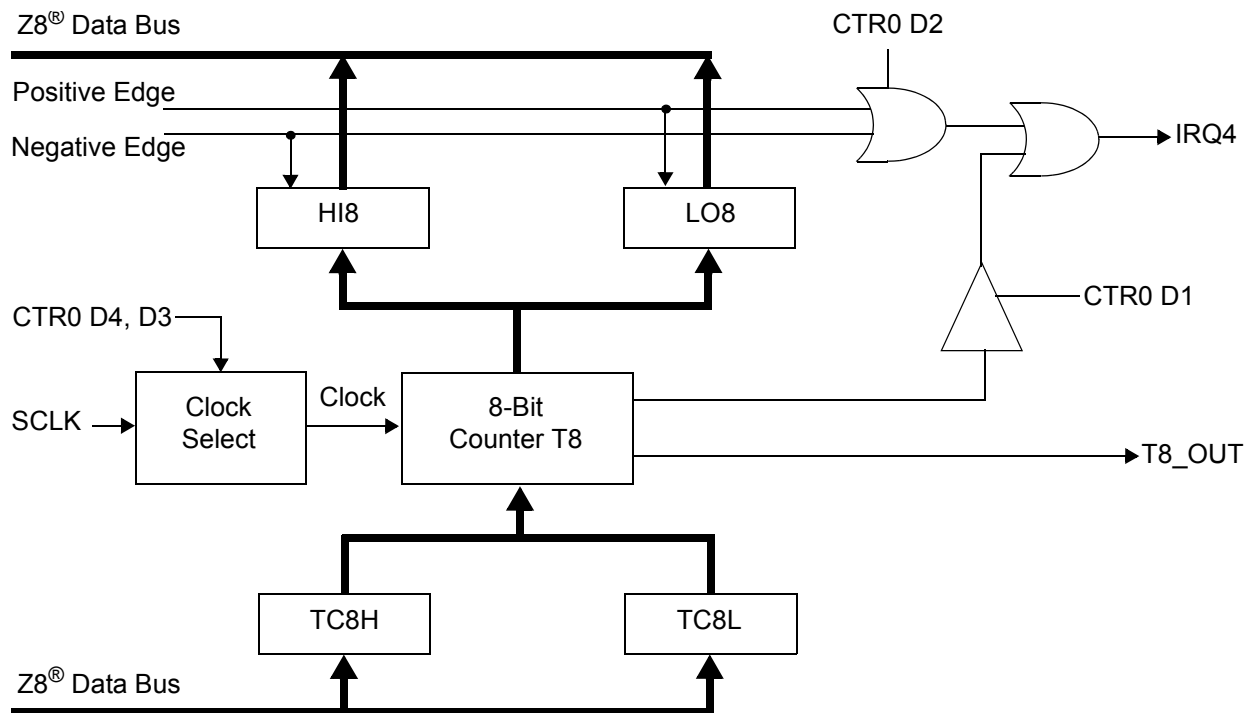


Figure 17. 8-Bit Counter/Timer Circuits

The values in TC8H or TC8L can be modified at any time. The new values take effect when they are loaded.



**Caution:** To ensure known operation do not write these registers at the time the values are to be loaded into the counter/timer. An initial count of 1 is not allowed (a non-function occurs). An initial count of 0 causes TC8 to count from 0 to FFh to FEh.

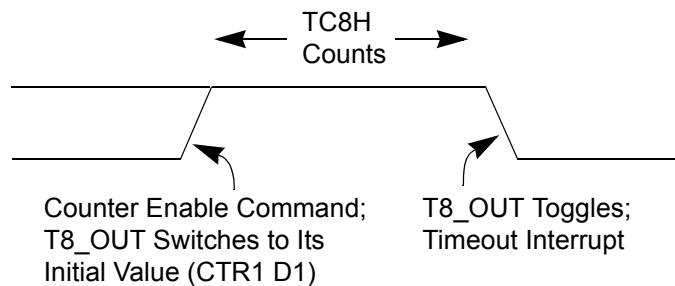
► **Note:** The letter *h* denotes hexadecimal values.

Transition from 0 to FF<sub>h</sub> is not a timeout condition.

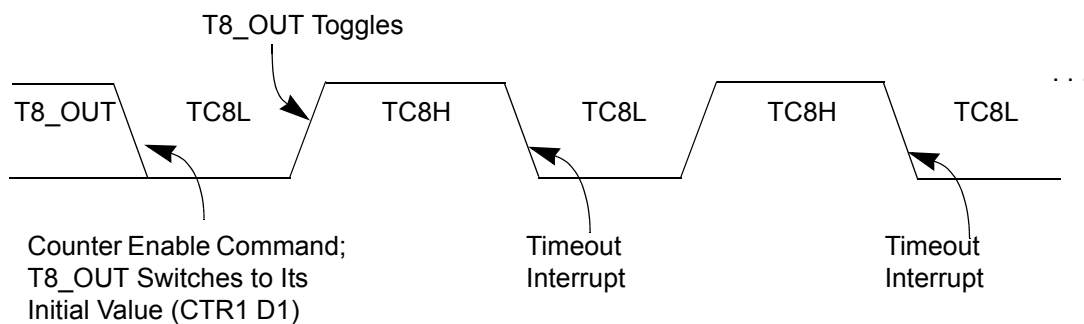


**Caution:** Using the same instructions for stopping the counter/timers and setting the status bits is not recommended.

Two successive commands are necessary. First, the counter/timers must be stopped. Second, the status bits must be reset. These commands are required because it takes one counter/timer clock interval for the initiated event to actually occur. See Figure 18 and Figure 19.



**Figure 18. T8\_OUT in Single-Pass Mode**



**Figure 19. T8\_OUT in Modulo-N Mode**

### T8 Demodulation Mode

The user must program TC8L and TC8H to FF<sub>h</sub>. After T8 is enabled, when the first edge (rising, falling, or both depending on CTR1, D5; D4) is detected, it starts to count down. When a subsequent edge (rising, falling, or both depending on CTR1, D5; D4) is detected during counting, the current value of T8 is complemented and put into one of the capture registers. If it is a positive edge, data is put into LO8; if it is a negative edge, data is put into HI8. From that point, one of the

edge detect status bits (CTR1, D1; D0) is set, and an interrupt can be generated if enabled (CTR0, D2). Meanwhile, T8 is loaded with FFh and starts counting again. If T8 reaches 0, the timeout status bit (CTR0, D5) is set, and an interrupt can be generated if enabled (CTR0, D1). T8 then continues counting from FFh (see Figure 21 and Figure 21).

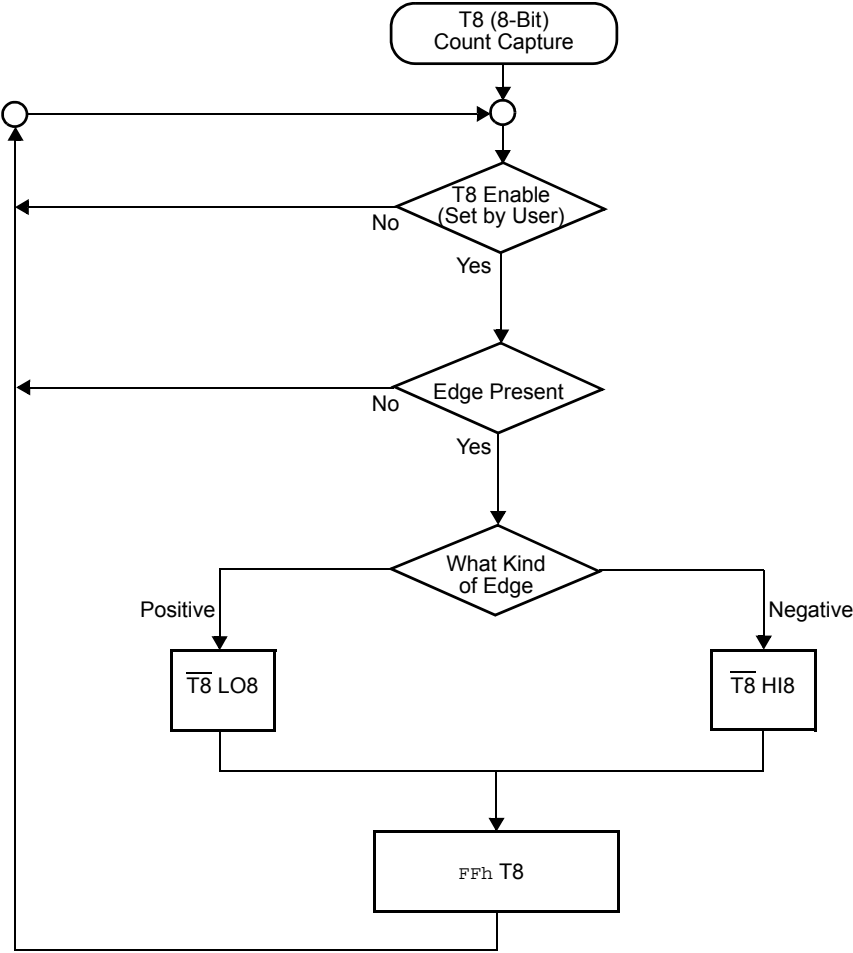


Figure 20. Demodulation Mode Count Capture Flowchart

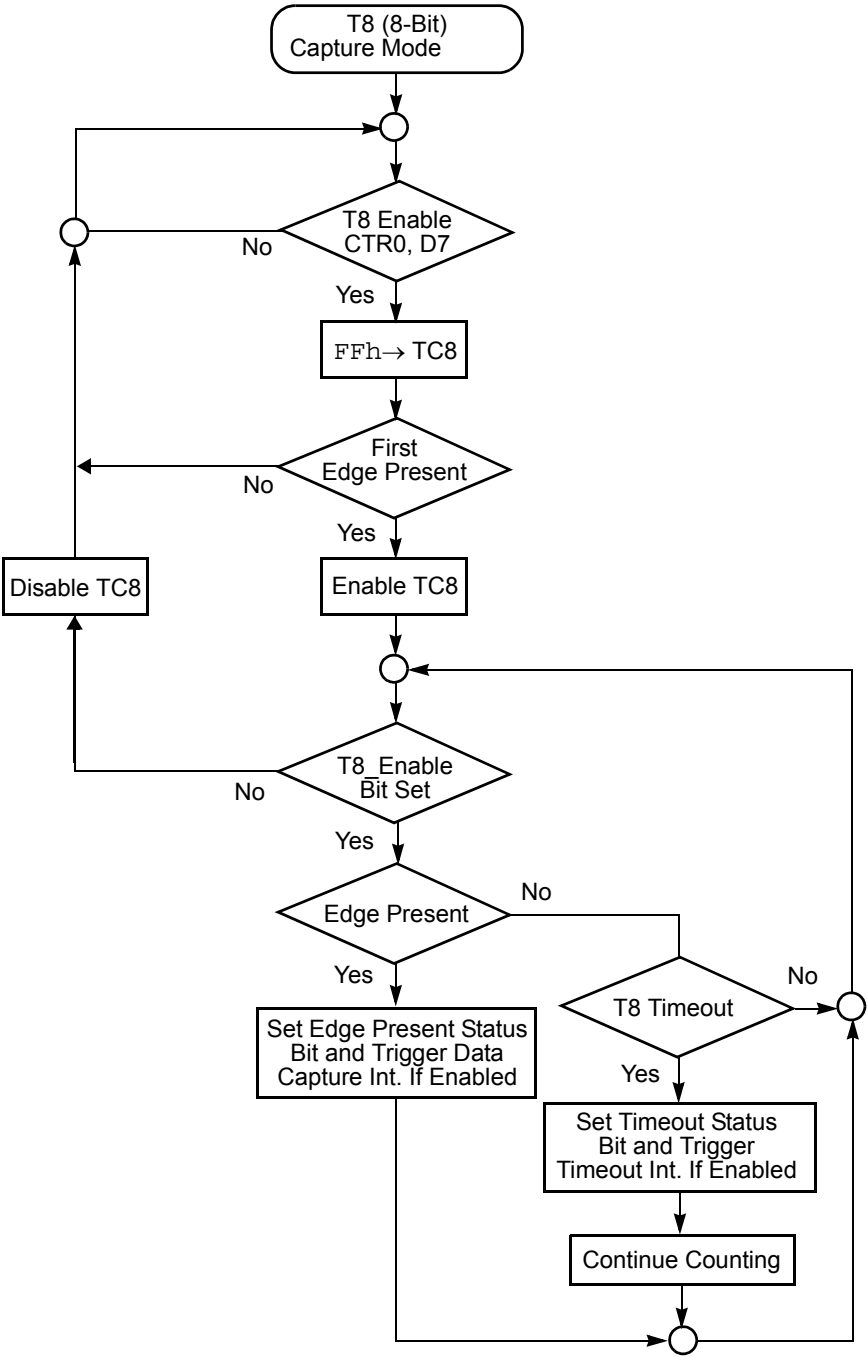


Figure 21. Demodulation Mode Flowchart



### T16 Transmit Mode

In Normal or Ping-Pong mode, the output of T16 when not enabled, is dependent on CTR1, D0. If it is a 0, T16\_OUT is a 1; if it is a 1, T16\_OUT is 0. You can force the output of T16 to either a 0 or 1 whether it is enabled or not by programming CTR1 D3; D2 to a 10 or 11.

When T16 is enabled, TC16H \* 256 + TC16L is loaded, and T16\_OUT is switched to its initial value (CTR1, D0). When T16 counts down to 0, T16\_OUT is toggled (in NORMAL or PING-PONG mode), an interrupt (CTR2, D1) is generated (if enabled), and a status bit (CTR2, D5) is set. See Figure 22.

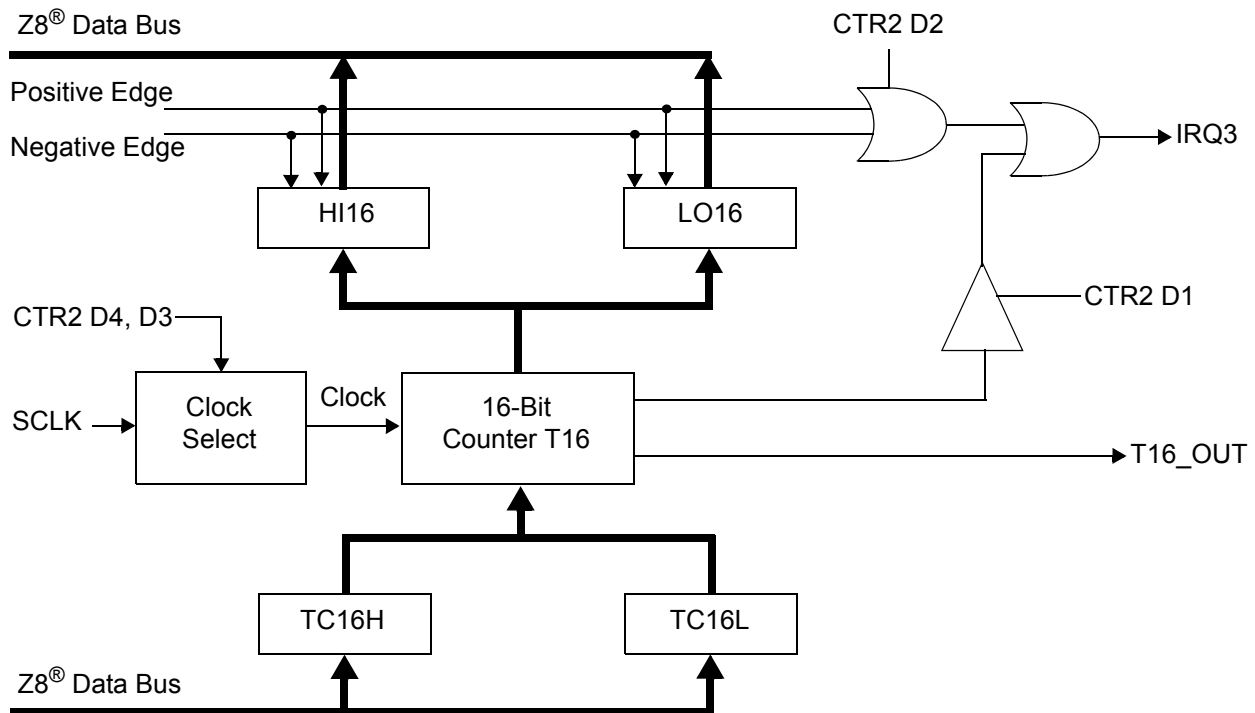


Figure 22. 16-Bit Counter/Timer Circuits

► **Note:** Global interrupts override this function as described in “Interrupts” on page 46.

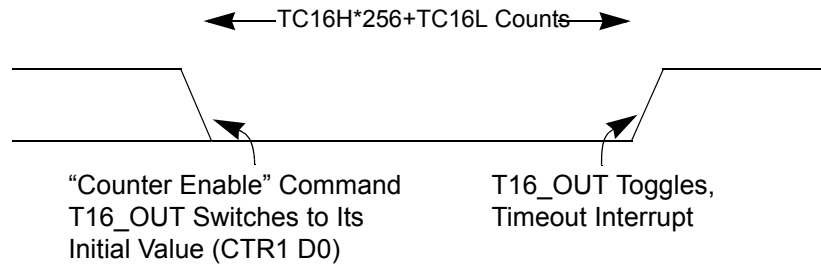
If T16 is in Single-Pass mode, it is stopped at this point (see Figure 23). If it is in Modulo-N Mode, it is loaded with TC16H \* 256 + TC16L, and the counting continues (see Figure 24).

The values in TC16H and TC16L can be modified at any time. The new values take effect when they are loaded.

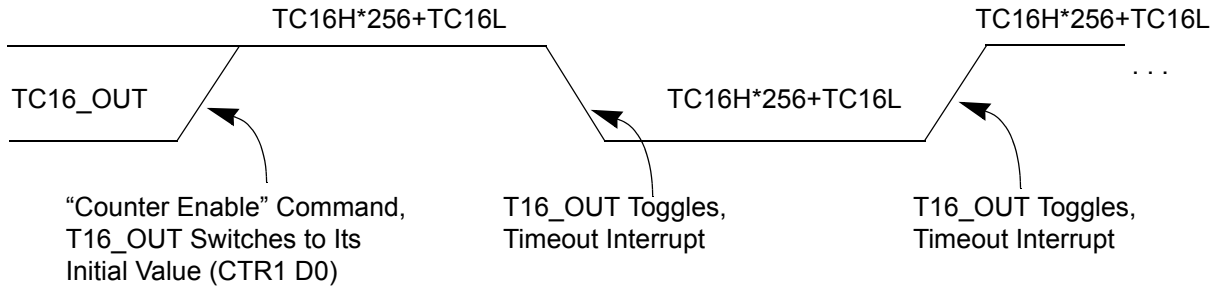


**Caution:**

Do not load these registers at the time the values are to be loaded into the counter/timer to ensure known operation. An initial count of 1 is not allowed. An initial count of 0 causes T16 to count from 0 to `FFFFh` to `FFFEh`. Transition from 0 to `FFFFh` is not a timeout condition.



**Figure 23. T16\_OUT in Single-Pass Mode**



**Figure 24. T16\_OUT in Modulo-N Mode**

**T16 Demodulation Mode**

The user must program TC16L and TC16H to `FFh`. After T16 is enabled, and the first edge (rising, falling, or both depending on CTR1 D5; D4) is detected, T16 captures HI16 and LO16, reloads, and begins counting.

**If D6 of CTR2 Is 0**

When a subsequent edge (rising, falling, or both depending on CTR1, D5; D4) is detected during counting, the current count in T16 is complemented and put into HI16 and LO16. When data is captured, one of the edge detect status bits (CTR1, D1; D0) is set, and an interrupt is generated if enabled (CTR2, D2). T16 is loaded with `FFFFh` and starts again.

This T16 mode is generally used to measure space time, the length of time between bursts of carrier signal (marks).

### If D6 of CTR2 Is 1

T16 ignores the subsequent edges in the input signal and continues counting down. A timeout of T8 causes T16 to capture its current value and generate an interrupt if enabled (CTR2, D2). In this case, T16 does not reload and continues counting. If the D6 bit of CTR2 is toggled (by writing a 0 then a 1 to it), T16 captures and reloads on the next edge (rising, falling, or both depending on CTR1, D5; D4), continuing to ignore subsequent edges.

This T16 mode generally measures mark time, the length of an active carrier signal burst.

If T16 reaches 0, T16 continues counting from `FFFFh`. Meanwhile, a status bit (CTR2 D5) is set, and an interrupt timeout can be generated if enabled (CTR2 D1).

## Ping-Pong Mode

This operation mode is only valid in Transmit Mode. T8 and T16 must be programmed in Single-Pass mode (CTR0, D6; CTR2, D6), and Ping-Pong mode must be programmed in CTR1, D3; D2. The user can begin the operation by enabling either T8 or T16 (CTR0, D7 or CTR2, D7). For example, if T8 is enabled, T8\_OUT is set to this initial value (CTR1, D1). According to T8\_OUT's level, TC8H or TC8L is loaded into T8. After the terminal count is reached, T8 is disabled, and T16 is enabled. T16\_OUT then switches to its initial value (CTR1, D0), data from TC16H and TC16L is loaded, and T16 starts to count. After T16 reaches the terminal count, it stops, T8 is enabled again, repeating the entire cycle. Interrupts can be allowed when T8 or T16 reaches terminal control (CTR0, D1; CTR2, D1). To stop the ping-pong operation, write 00 to bits D3 and D2 of CTR1. See Figure 25.

- ▶ **Note:** Enabling ping-pong operation while the counter/timers are running might cause intermittent counter/timer function. Disable the counter/timers and reset the status flags before instituting this operation.

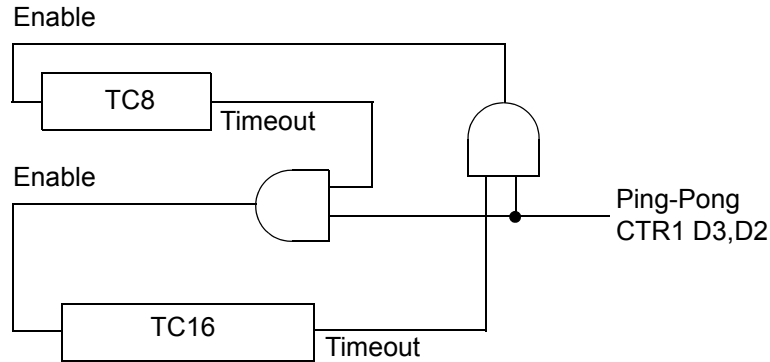


Figure 25. Ping-Pong Mode Diagram

### Initiating Ping-Pong Mode

First, make sure both counter/timers are not running. Set T8 into Single-Pass mode (CTR0, D6), set T16 into Single-Pass mode (CTR2, D6), and set the Ping-Pong mode (CTR1, D2; D3). These instructions can be in random order. Finally, start Ping-Pong mode by enabling either T8 (CTR0, D7) or T16 (CTR2, D7). See Figure 26.

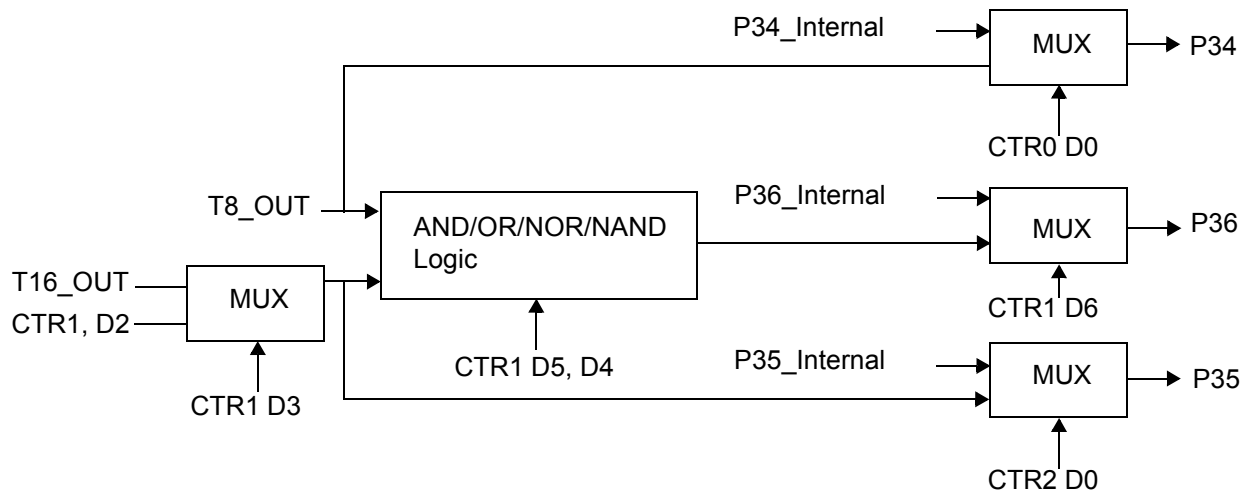


Figure 26. Output Circuit

The initial value of T8 or T16 must not be 1. If you stop the timer and restart the timer, reload the initial value to avoid an unknown previous value.



### During Ping-Pong Mode

The enable bits of T8 and T16 (CTR0, D7; CTR2, D7) are set and cleared alternately by hardware. The timeout bits (CTR0, D5; CTR2, D5) are set every time the counter/timers reach the terminal count.

## Interrupts

The ZGR163L features six different interrupts (Table 16). The interrupts are maskable and prioritized (Figure 27). The six sources are divided as follows: three sources are claimed by Port 3 lines P33–P31, two by the counter/timers (Table 16) and one for low voltage detection. The Interrupt Mask Register (globally or individually) enables or disables the six interrupt requests.

The source for IRQ is determined by bit 1 of the Port 3 mode register (P3M). When in digital mode, Pin P33 is the source. When in Analog mode the output of the Stop Mode Recovery source logic is used as the source for the interrupt. See Figure 32, Stop Mode Recovery Source, on page 54.

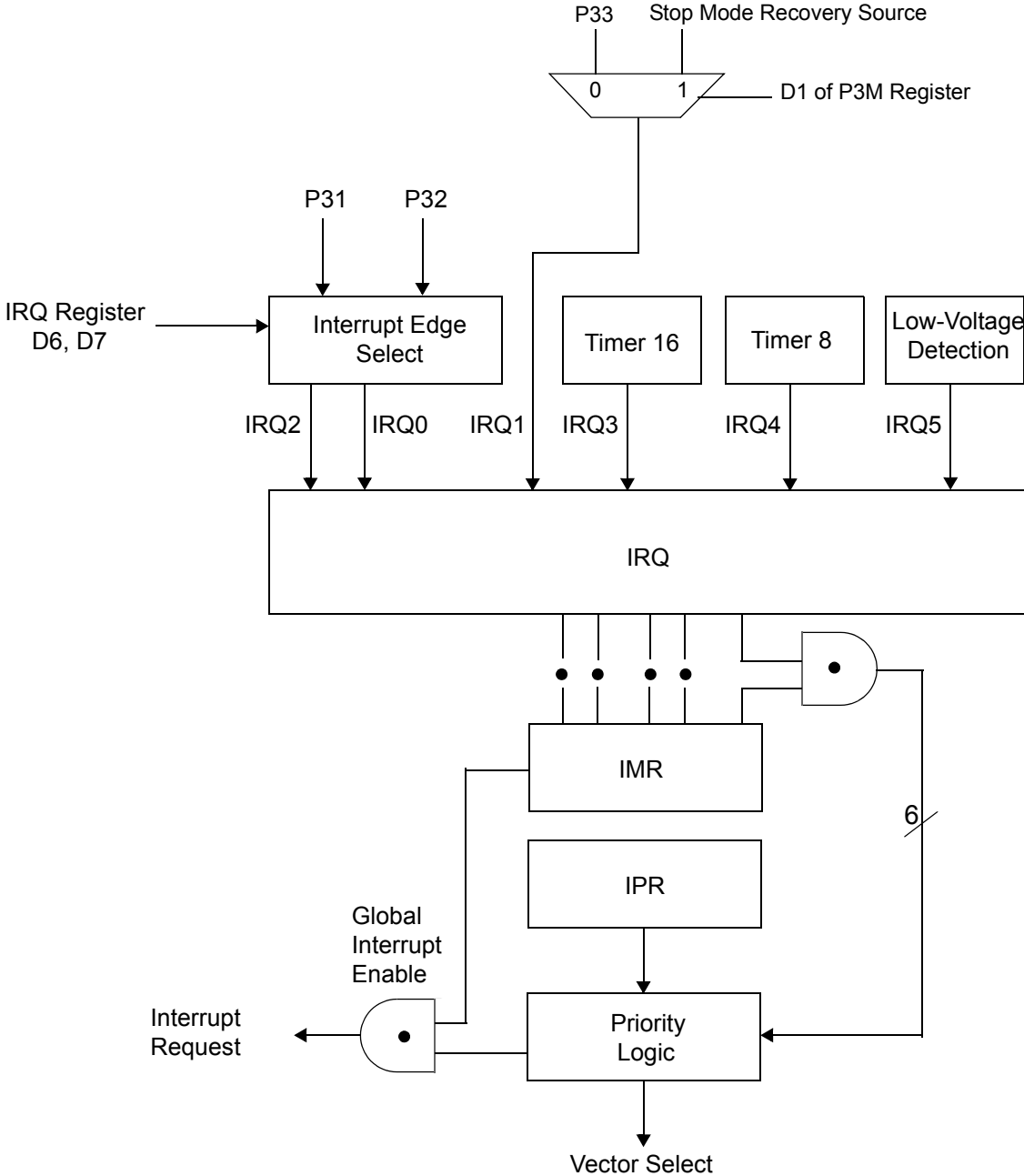


Figure 27. Interrupt Block Diagram



**Table 16. Interrupt Types, Sources, and Vectors**

Name	Source	Vector Location	Comments
IRQ0	P32	0,1	External (P32), Rising, Falling Edge Triggered
IRQ1	P33	2,3	External (P33), Falling Edge Triggered
IRQ2	P31, T <sub>IN</sub>	4,5	External (P31), Rising, Falling Edge Triggered
IRQ3	T16	6,7	Internal
IRQ4	T8	8,9	Internal
IRQ5	LVD	10,11	Internal

When more than one interrupt is pending, priorities are resolved by a programmable priority encoder controlled by the Interrupt Priority Register. An interrupt machine cycle activates when an interrupt request is granted. As a result, all subsequent interrupts are disabled, and the Program Counter and Status Flags are saved. The cycle then branches to the program memory vector location reserved for that interrupt. All ZGR163L interrupts are vectored through locations in the program memory. This memory location and the next byte contain the 16-bit address of the interrupt service routine for that particular interrupt request. To accommodate polled interrupt systems, interrupt inputs are masked, and the Interrupt Request register is polled to determine which of the interrupt requests require service.

An interrupt resulting from AN1 is mapped into IRQ2, and an interrupt from AN2 is mapped into IRQ0. Interrupts IRQ2 and IRQ0 can be rising, falling, or both edge triggered. These interrupts are programmable by the user. The software can poll to identify the state of the pin.

Programming bits for the Interrupt Edge Select are located in the IRQ Register (R250), bits D7 and D6. The configuration is indicated in Table 17.

**Table 17. IRQ Register**

IRQ		Interrupt Edge	
D7	D6	IRQ2 (P31)	IRQ0 (P32)
0	0	F	F
0	1	F	R
1	0	R	F
1	1	R/F	R/F

**Note:** F = Falling Edge; R = Rising Edge

## Clock

The device's on-chip oscillator has a high-gain, parallel-resonant amplifier, for connection to a crystal, ceramic resonator, or any suitable external clock source (XTAL1 = Input, XTAL2 = Output). The crystal must be AT cut, 1 MHz to 8 MHz maximum, with a series resistance (RS) less than or equal to 100  $\Omega$ . The on-chip oscillator can be driven with a suitable external clock source.

The crystal must be connected across XTAL1 and XTAL2 using the recommended capacitors (capacitance greater than or equal to 22 pF) from each pin to ground.

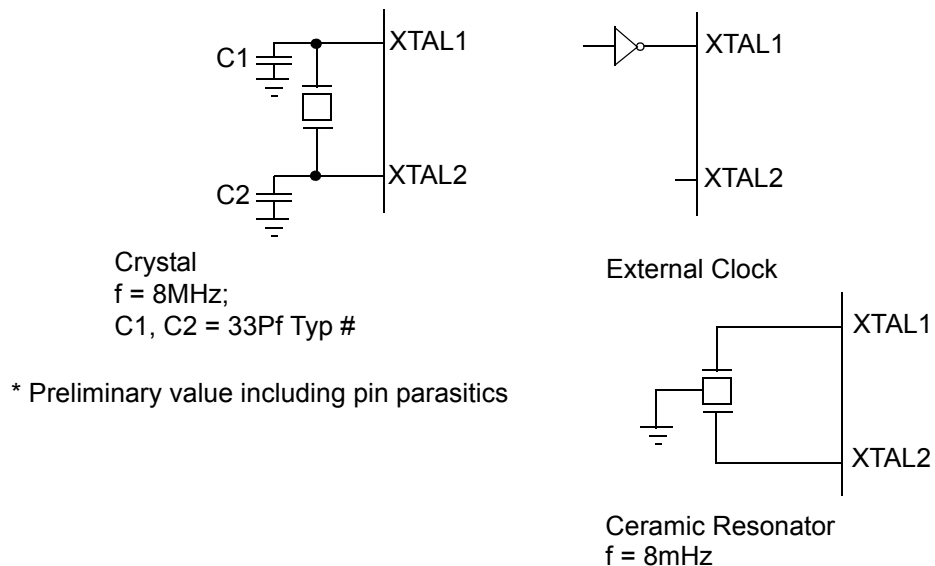


Figure 28. Oscillator Configuration

## Power-On Reset

A timer circuit clocked by a dedicated on-board RC-oscillator is used for the Power-On Reset (POR) timer function. The POR time allows  $V_{DD}$  and the oscillator circuit to stabilize before instruction execution begins.

The POR timer circuit is a one-shot timer triggered by one of three conditions:

- Power Fail to Power OK status, including Waking up from  $V_{BO}$  Standby
- Stop-Mode Recovery (if D5 of SMR = 1)
- WDT Timeout





The POR timer is 1 ms minimum. Bit 5 of the Stop-Mode Register determines whether the POR timer is bypassed after Stop-Mode Recovery (typical for external clock).

### Halt Mode

This instruction turns off the internal CPU clock, but not the XTAL oscillation. The counter/timers and external interrupts IRQ0, IRQ1, IRQ2, IRQ3, IRQ4, and IRQ5 remain active. The devices are recovered by interrupts, either externally or internally generated. An interrupt request must be executed (enabled) to exit Halt Mode. After the interrupt service routine, the program continues from the instruction after the Halt.

### Stop Mode

This instruction turns off the internal clock and external crystal oscillation, reducing the standby current to 10  $\mu$ A or less. Stop Mode is terminated only by a reset, such as WDT timeout, POR or SMR. This condition causes the processor to restart the application program at address 000Ch. In order to enter Stop (or Halt) mode, first flush the instruction pipeline to avoid suspending execution in mid-instruction. Execute an NOP instruction (Opcode = FFh) immediately before the appropriate sleep instruction, as follows:

```

FF          NOP          ; clear the pipeline
6F          STOP         ; enter Stop Mode

```

or

```

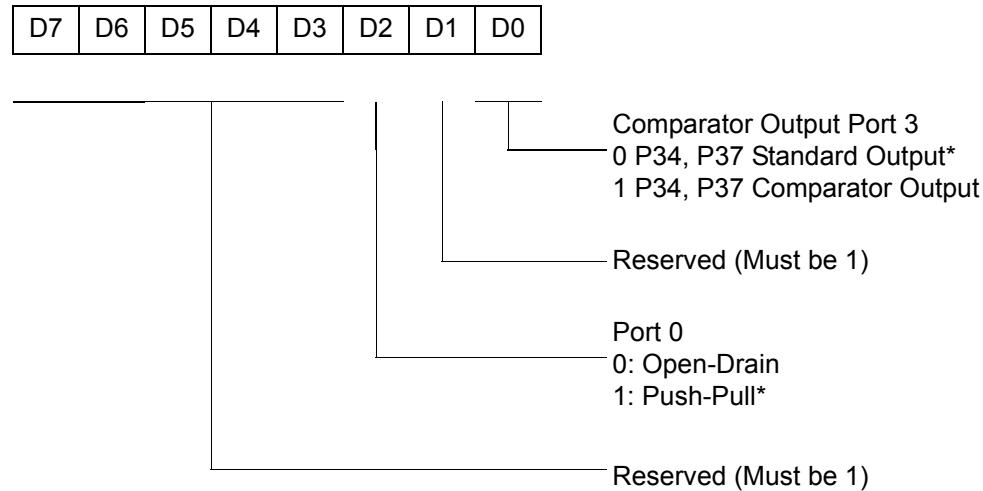
FF          NOP          ; clear the pipeline
7F          HALT         ; enter Halt Mode

```

### Port Configuration Register

The Port Configuration (PCON) register (Figure 29) configures the comparator output on Port 3. It is located in the expanded register file at Bank F, location 00.

PCON (0F) 00H



\* Default setting after reset

**Figure 29. Port Configuration Register (PCON) (Write Only)**

#### Comparator Output Port 3 (D0)

Bit 0 controls the comparator used in Port 3. A 1 in this location brings the comparator outputs to P34 and P37, and a 0 releases the Port to its standard I/O configuration.

#### Port 0 Output Mode (D2)

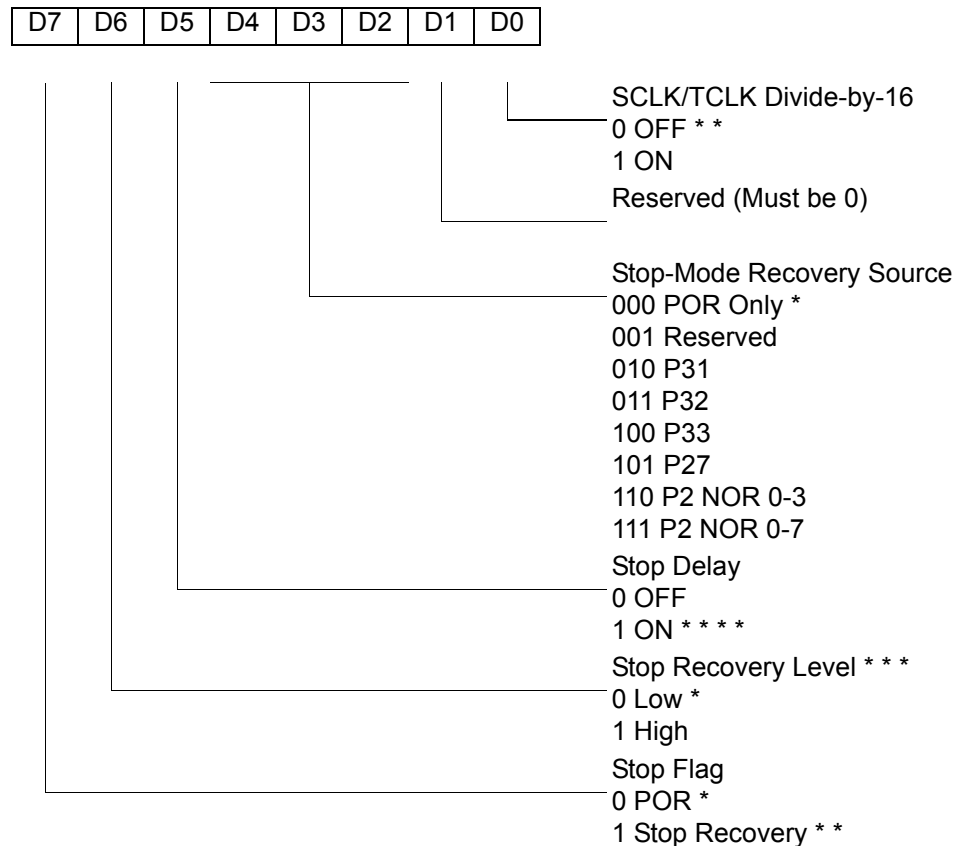
Bit 2 controls the output mode of port 0. A 1 in this location sets the output to push-pull, and a 0 sets the output to open-drain.

#### Stop-Mode Recovery Register (SMR)

This register selects the clock divide value and determines the mode of Stop Mode Recovery (Figure 30). All bits are write only except bit 7, which is read only. Bit 7 is a flag bit that is hardware set on the condition of Stop recovery and reset by a power-on cycle. Bit 6 controls whether a low level or a high level at the XOR-gate input (Figure 32 on page 54) is required from the recovery source. Bit 5 controls the reset delay after recovery. Bits D2, D3, and D4 of the SMR register specify the source of the Stop-Mode Recovery signal. Bit D0 determines if SCLK/

TCLK are divided by 16 or not. The SMR is located in Bank F of the Expanded Register File at address 0Bh.

SMR (0F) 0BH



- \* Default after Power On Reset or Watch-Dog Reset
- \*\* Default setting after Reset and Stop Mode Recovery
- \*\*\* At the XOR gate input
- \*\*\*\* Default setting after reset. Must be 1 if using a crystal or resonator clock source.

**Figure 30. Stop Mode Recovery Register**

**SCLK/TCLK Divide-by-16 Select (D0)**

D0 of the SMR controls a divide-by-16 prescaler of SCLK/TCLK (Figure 31). This control selectively reduces device power consumption during normal processor execution (SCLK control) and/or Halt Mode (where TCLK sources interrupt logic). After Stop-Mode Recovery, this bit is set to 0.

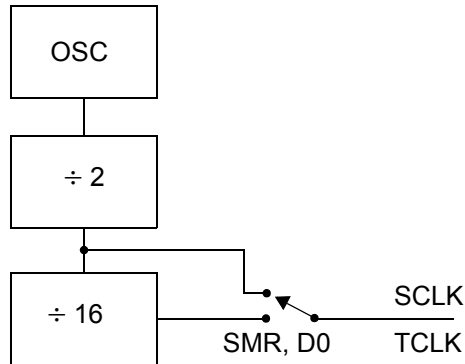


Figure 31. SCLK Circuit

### Stop-Mode Recovery Register 2—SMR2(0F)0DH

Table 18 lists and describes the fields for this register.

Table 18. SMR2(F)0DH: Stop Mode Recovery Register 2\*

Field	Bit Position	Value	Description	
Reserved	7-----	0	Reserved (Must be 0)	
Recovery Level	-6-----	W	0 <sup>†</sup>	Low
			1	High
Reserved	--5-----	0	Reserved (Must be 0)	
Source	---432--	W	000 <sup>†</sup>	A. POR Only
			001	B. NAND of P23–P20
			010	C. NAND of P27–P20
			011	D. NOR of P33–P31
			100	E. NAND of P33–P31
			101	F. NOR of P33–P31, P00, P07
			110	G. NAND of P33–P31, P00, P07
			111	H. NAND of P33–P31, P22–P20
Reserved	-----10	00	Reserved (Must be 0)	

**Notes:**

\* Port pins configured as outputs are ignored as an SMR recovery source.

<sup>†</sup> Indicates the value at Power-On Reset

### Stop-Mode Recovery Source (D2, D3, and D4)

These three bits of the SMR specify the wake-up source of the Stop recovery (Figure 32 and Table 19).

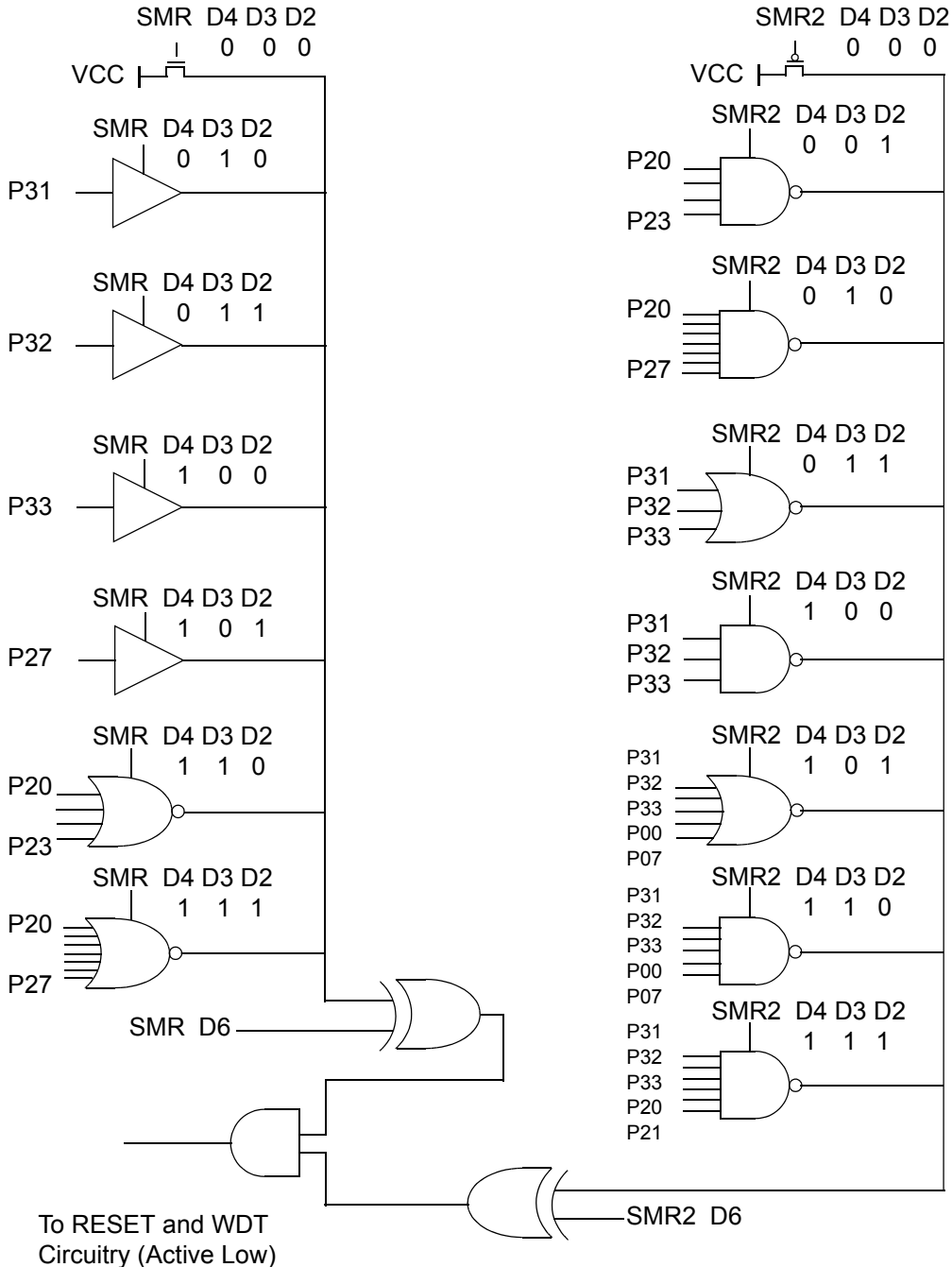


Figure 32. Stop Mode Recovery Source



**Table 19. Stop Mode Recovery Source**

SMR:432			Operation
D4	D3	D2	Description of Action
0	0	0	POR and/or external reset recovery
0	0	1	Reserved
0	1	0	P31 transition
0	1	1	P32 transition
1	0	0	P33 transition
1	0	1	P27 transition
1	1	0	Logical NOR of P20 through P23
1	1	1	Logical NOR of P20 through P27

- **Note:** Any Port 2 bit defined as an output drives the corresponding input to the default state. This condition allows the remaining inputs to control the AND/OR function. Refer to SMR2 register on page 56 for other recover sources.

#### Stop Mode Recovery Delay Select (D5)

This bit, if Low, disables the  $T_{POR}$  delay after Stop Mode Recovery. The default configuration of this bit is 1. If the “fast” wake up is selected, the Stop Mode Recovery source must be kept active for at least 5  $T_{pC}$ .

- **Note:** This bit must be set to 1 if using a crystal or resonator clock source. The  $T_{POR}$  delay allows the clock source to stabilize before executing instructions.

#### Stop Mode Recovery Edge Select (D6)

A 1 in this bit position indicates that a High level on any one of the recovery sources wakes the Z8 GP™ MCU from Stop Mode. A 0 indicates Low level recovery. The default is 0 on POR.

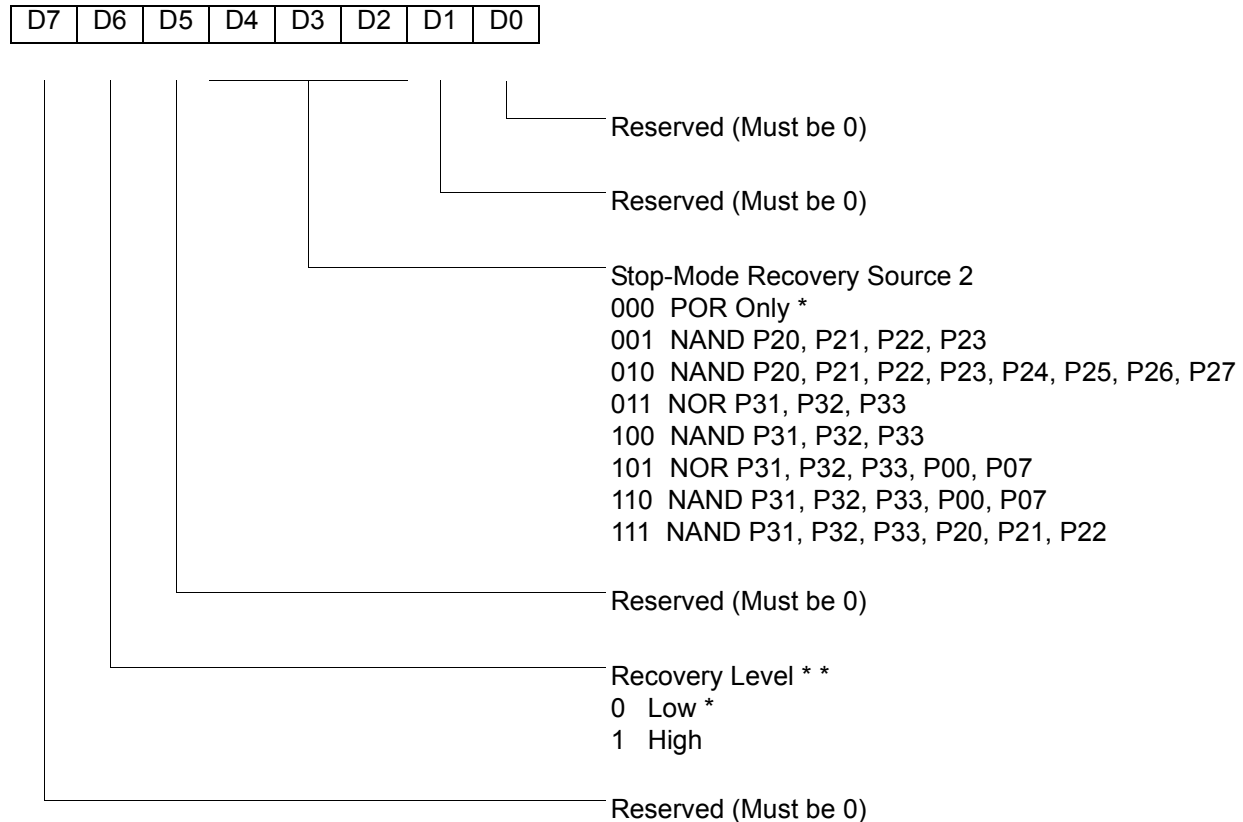
#### Cold or Warm Start (D7)

This bit is read only. It is set to 1 when the device is recovered from Stop Mode. The bit is set to 0 when the device reset is other than Stop Mode Recovery (SMR).

### Stop Mode Recovery Register 2 (SMR2)

This register determines the mode of Stop Mode Recovery for SMR2 (Figure 33).

SMR2 (0F) DH



Note: If used in conjunction with SMR, either of the two specified events causes a Stop-Mode Recovery.

\* Default setting after reset

\*\* At the XOR gate input

**Figure 33. Stop Mode Recovery Register 2 ((0F) DH:D2–D4, D6 Write Only)**

If SMR2 is used in conjunction with SMR, either of the specified events causes a Stop Mode Recovery.

- ▶ **Note:** Port pins configured as outputs are ignored as an SMR or SMR2 recovery source. For example, if the NAND or P23–P20 is selected as the recovery source and P20 is configured as an output, the remaining SMR pins (P23–P21) form the NAND equation.



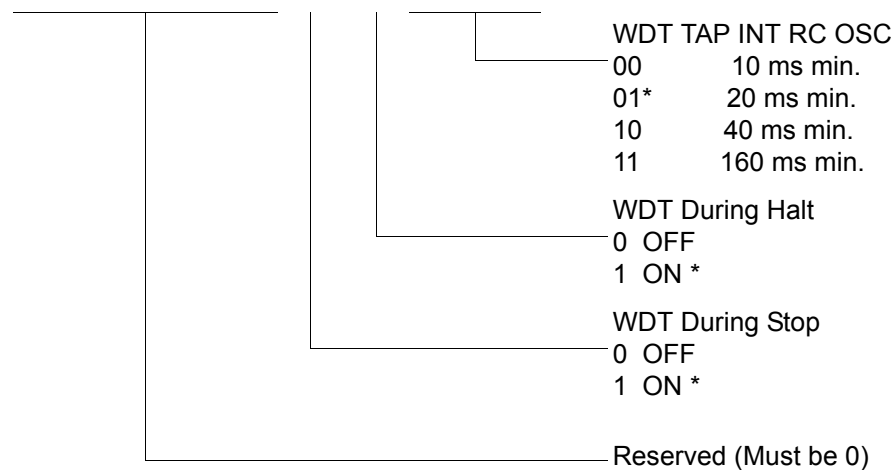
### Watch-Dog Timer Mode Register (WDTMR)

The Watch-Dog Timer (WDT) is a retriggerable one-shot timer that resets the Z8<sup>®</sup> if it reaches its terminal count. The WDT must initially be enabled by executing the WDT instruction. On subsequent executions of the WDT instruction, the WDT is refreshed. The WDT circuit is driven by an on-board RC-oscillator. The WDT instruction affects the Zero (Z), Sign (S), and Overflow (V) flags.

The POR clock source the internal RC-oscillator. Bits 0 and 1 of the WDT register control a tap circuit that determines the minimum timeout period. Bit 2 determines whether the WDT is active during HALT, and Bit 3 determines WDT activity during STOP. Bits 4 through 7 are reserved (Figure 34). This register is accessible only during the first 60 processor cycles (120 XTAL clocks) from the execution of the first instruction after Power-On-Reset, Watch-Dog Reset, or a Stop-Mode Recovery (Figure 33). After this point, the register cannot be modified by any means (intentional or otherwise). The WDTMR cannot be read. The register is located in Bank F of the Expanded Register File at address location 0Fh. It is organized as illustrated in Figure 34.

WDTMR (0F) 0FH

D7	D6	D5	D4	D3	D2	D1	D0
----	----	----	----	----	----	----	----



\* Default setting after reset

Figure 34. Watch-Dog Timer Mode Register (Write Only)

#### WDT Time Select (D0, D1)

This bit selects the WDT time period. It is configured as indicated in Table 20.



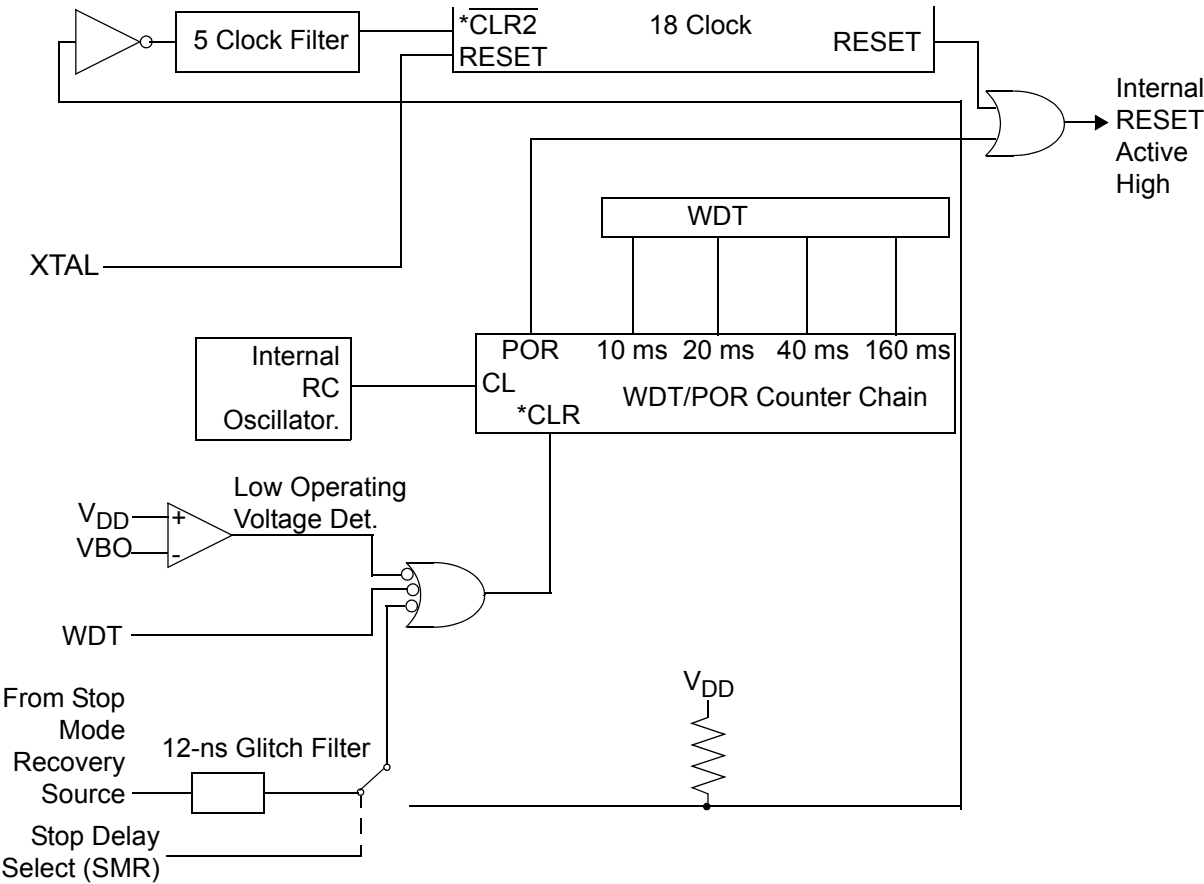


**Table 20. Watch-Dog Timer Time Select**

D1	D0	Timeout of Internal RC-Oscillator
0	0	10 ms min.
0	1	20 ms min.
1	0	40 ms min.
1	1	160 ms min.

**WDTMR During Halt (D2)**

This bit determines whether or not the WDT is active during Halt Mode. A 1 indicates active during Halt. The default is 1. See Figure 35.



\* CLR1 and CLR2 enable the WDT/POR and 18 Clock Reset timers respectively upon a Low-to-High input translation.

**Figure 35. Resets and WDT**



### WDTMR During Stop (D3)

This bit determines whether or not the WDT is active during Stop Mode. A 1 indicates active during Stop. The default is 1.

### ROM Selectable Options

There are five ROM Selectable Options to choose from based on ROM code requirements. These options are listed in Table 21.

**Table 21. ROM Selectable Options**

Port 00–03 Pull-Ups	On/Off
Port 04–07 Pull-Ups	On/Off
Port 20–27 Pull-Up Port 3 Pull-Ups	On/Off
Port 3 Pull-Ups	On/Off
Watch-Dog Timer at Power-On Reset	On/Off

### Voltage Brown-Out/Standby

An on-chip Voltage Comparator checks that the  $V_{DD}$  is at the required level for correct operation of the device. Reset is globally driven when  $V_{DD}$  falls below  $V_{BO}$ . A small drop in  $V_{DD}$  causes the XTAL1 and XTAL2 circuitry to stop the crystal or resonator clock. If the  $V_{DD}$  is allowed to stay above  $V_{RAM}$ , the RAM content is preserved. When the power level is returned to above  $V_{BO}$ , the device performs a POR and functions normally.

### Low-Voltage Detection Register—LVD(0D)0CH

► **Note:** Voltage detection does not work at Stop mode. It must be disabled during Stop mode in order to reduce current.

Field	Bit Position			Description
LVD	765432---			Reserved
	----2	R	1	HVD flag set
			0*	HVD flag reset
	-----1-	R	1	LVD flag set
			0*	LVD flag reset
	-----0	R/W	1	Enable VD
			0*	Disable VD

\*Default after POR

- ▶ **Note:** Do not modify register P01M while checking a low-voltage condition. Switching noise of both ports 0 and 1 together might trigger the LVD flag.

### Voltage Detection and Flags

The Voltage Detection register (LVD, register 0Ch at the expanded register bank 0Dh) offers an option of monitoring the  $V_{CC}$  voltage. The Voltage Detection is enabled when bit 0 of LVD register is set. When Voltage Detection is enabled, the  $V_{CC}$  level is monitored in real time. The flags in the LVD register valid 20uS after Voltage Detection is enabled. The HVD flag (bit 2 of the LVD register) is set only if  $V_{CC}$  is lower than the  $V_{HVD}$ . When Voltage Detection is enabled, the LVD flag also triggers IRQ5. The IRQ bit 5 latches the low voltage condition until it is cleared by instructions or reset. The IRQ5 interrupt is served if it is enabled in the IMR register. Otherwise, bit 5 of IRQ register is latched as a flag only.

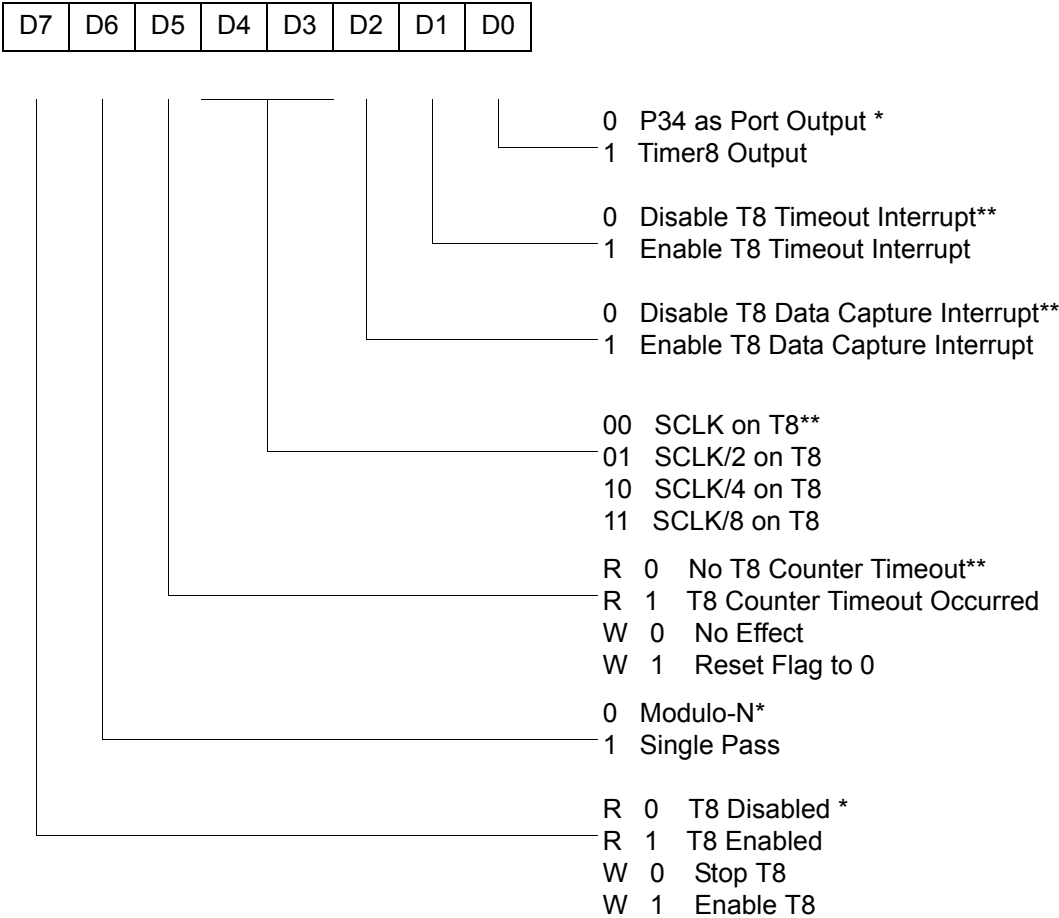
- ▶ **Note:** If it is necessary to receive an LVD interrupt upon power-up at an operating voltage lower than the low battery detect threshold, enable interrupts using the Enable Interrupt instruction (EI) prior to enabling the voltage detection.



### Expanded Register File Control Registers (0D)

The expanded register file control registers (0D) are depicted in Figure 36 through Figure 40.

CTR0 (0D) 00H



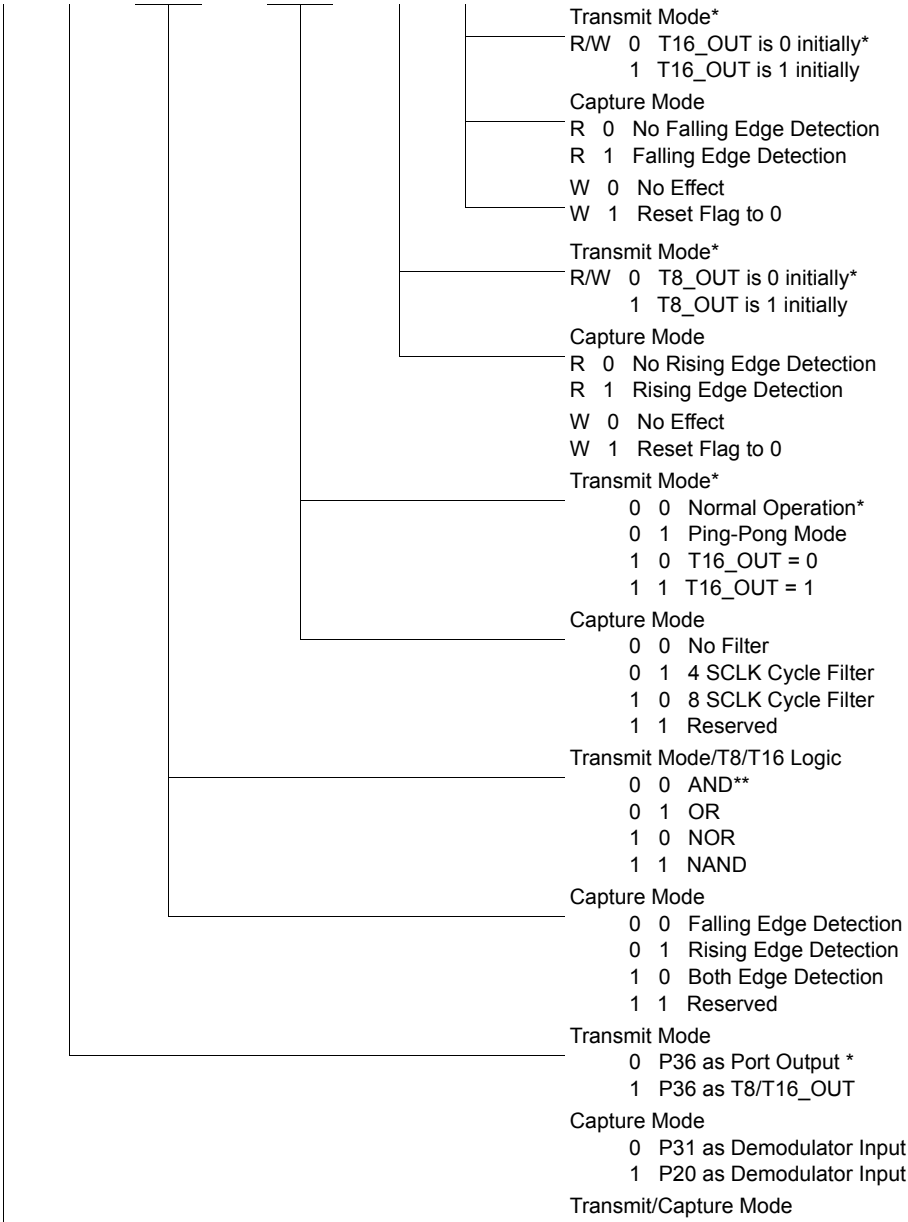
\* Default setting after reset.  
 \*\*Default setting after Reset. Not reset with a Stop Mode recovery.

Figure 36. TC8 Control Register ((0D) 00H: Read/Write Except Where Noted)



CTR1 (0D) 01H

D7	D6	D5	D4	D3	D2	D1	D0
----	----	----	----	----	----	----	----



\* Default setting after reset.  
\*\*Default setting after Reset. Not reset with a Stop Mode recovery.

Figure 37. T8 and T16 Common Control Functions ((0D) 01H: Read/Write)

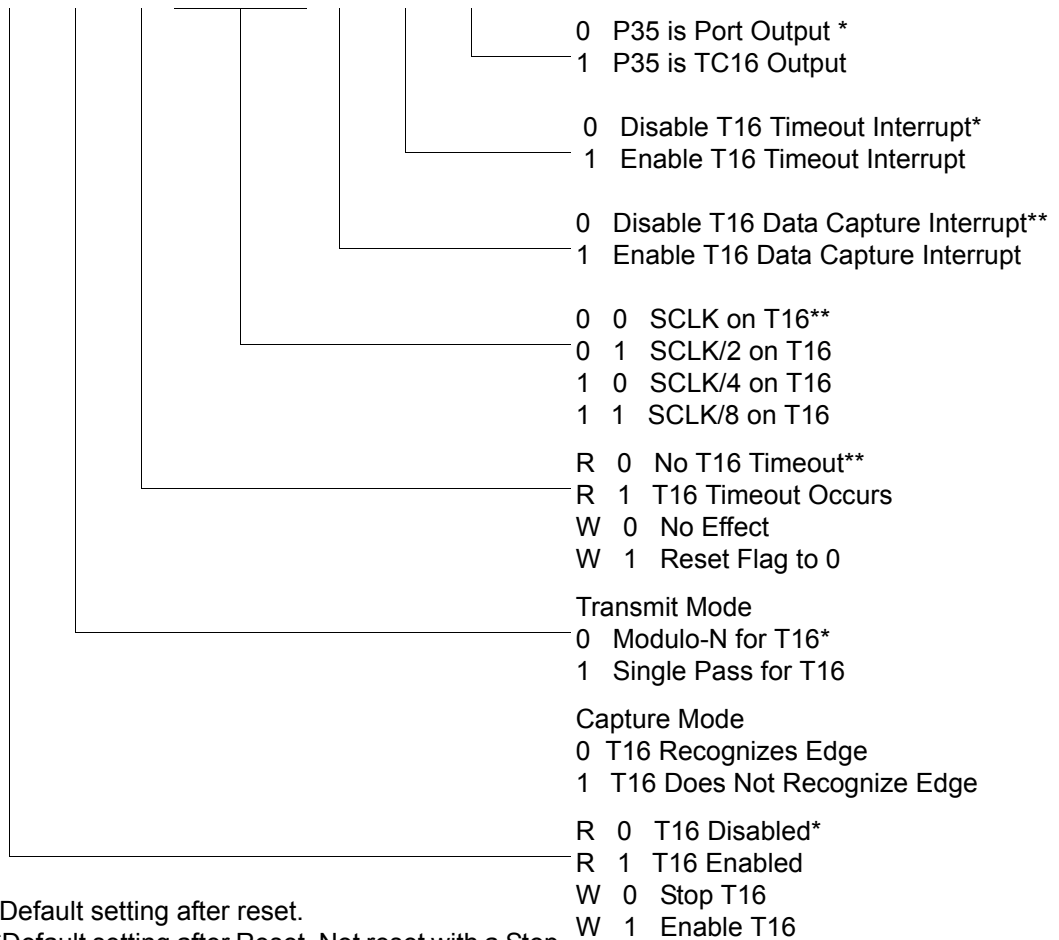


► **Notes:** Take care in differentiating the Transmit Mode from Capture Mode. Depending on which of these two modes is operating, the CTR1 bit has different functions.

Changing from one mode to another cannot be performed without disabling the counter/timers.

CTR2 (0D) 02H

D7	D6	D5	D4	D3	D2	D1	D0
----	----	----	----	----	----	----	----



\* Default setting after reset.  
\*\*Default setting after Reset. Not reset with a Stop Mode recovery.

**Figure 38. T16 Control Register ((0D) 02H: Read/Write Except Where Noted)**



CTR3 (0D) 03H

D7	D6	D5	D4	D3	D2	D1	D0
----	----	----	----	----	----	----	----

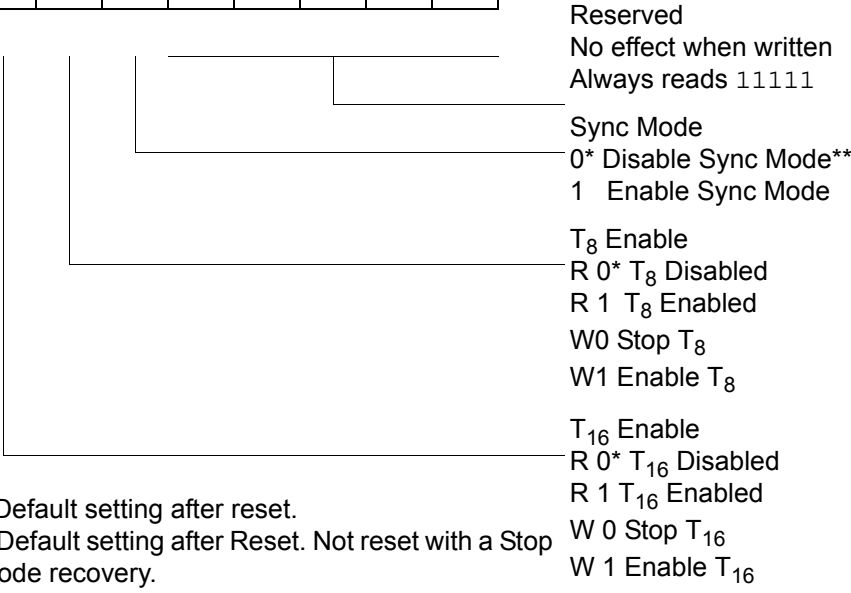


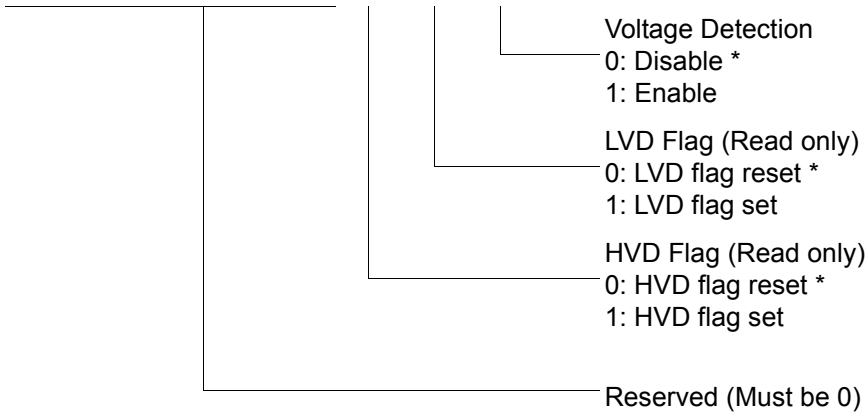
Figure 39. T8/T16 control Register (0D) 03H: Read/Write (Except Where Noted)

► **Note:** If Sync Mode is enabled, the first pulse of T8 (carrier) is always synchronized with T16 (demodulated signal). It can always provide a full carrier pulse.



LVD (0D) 0CH

D7	D6	D5	D4	D3	D2	D1	D0
----	----	----	----	----	----	----	----



\* Default

Figure 40. Voltage Detection Register

### Expanded Register File Control Registers (0F)

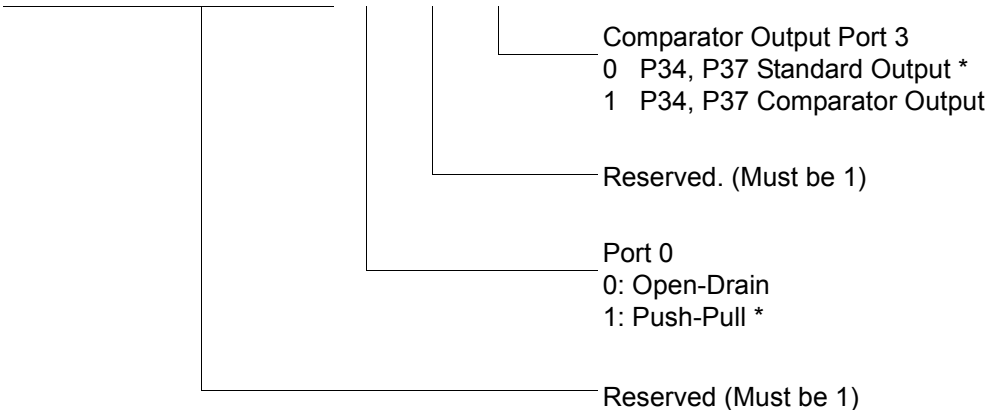
The expanded register file control registers (0F) are depicted in Figures 41 through Figure 54.





PCON (0F) 00H

D7	D6	D5	D4	D3	D2	D1	D0
----	----	----	----	----	----	----	----



\* Default setting after reset

Figure 41. Port Configuration Register (PCON) ((0F)00H: Write Only



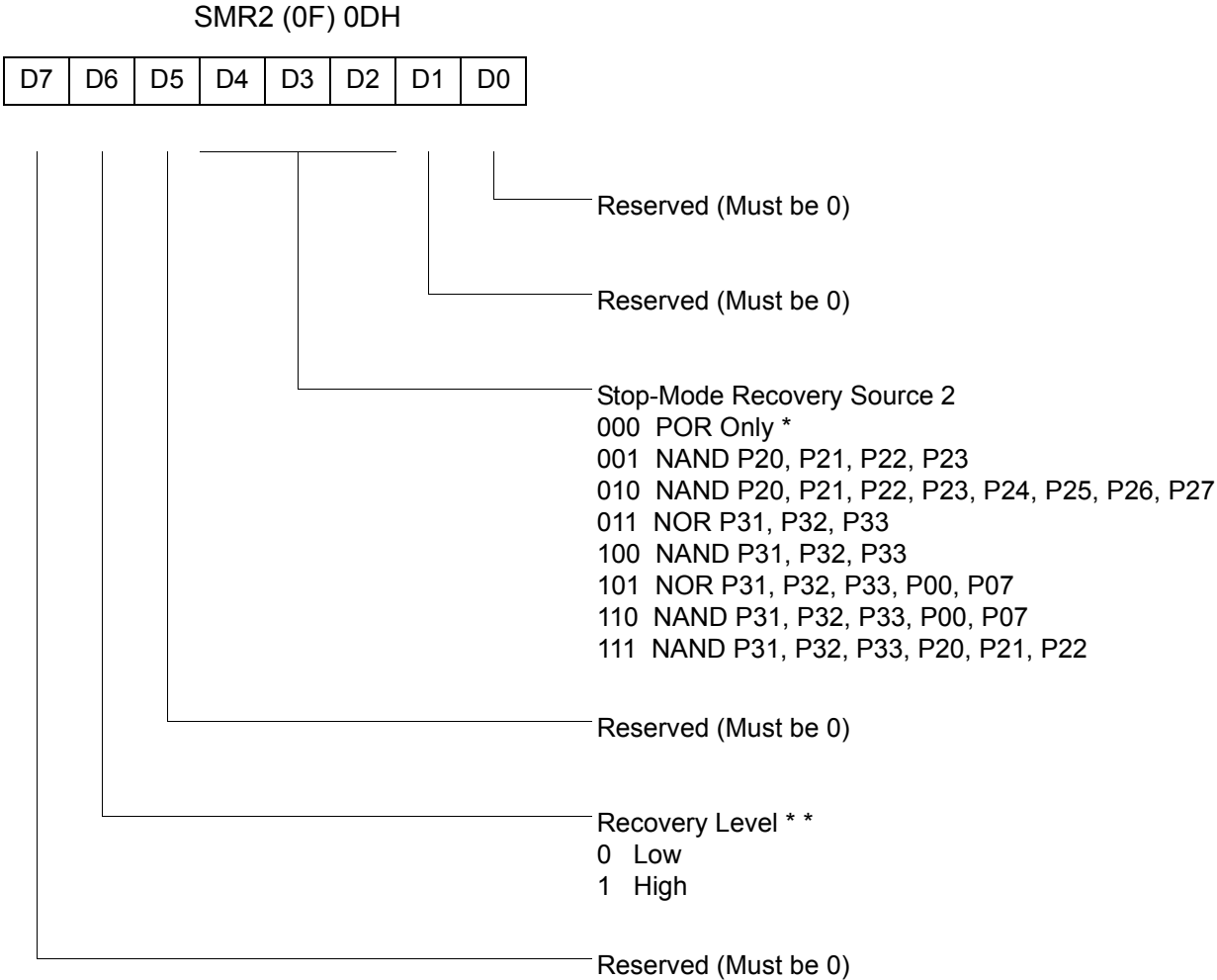
SMR (0F) 0BH

D7	D6	D5	D4	D3	D2	D1	D0
----	----	----	----	----	----	----	----



- \* Default setting after Reset
- \*\* Set after STOP Mode Recovery
- \*\*\* At the XOR gate input
- \*\*\*\* Default setting after reset. Must be 1 if using a crystal or resonator clock source. Not reset with a Stop Mode recovery.
- \*\*\*\*\* Default setting after Power On Reset.

Figure 42. Stop Mode Recovery Register ((0F) 0BH: D6-D0=Write Only, D7=Read Only)



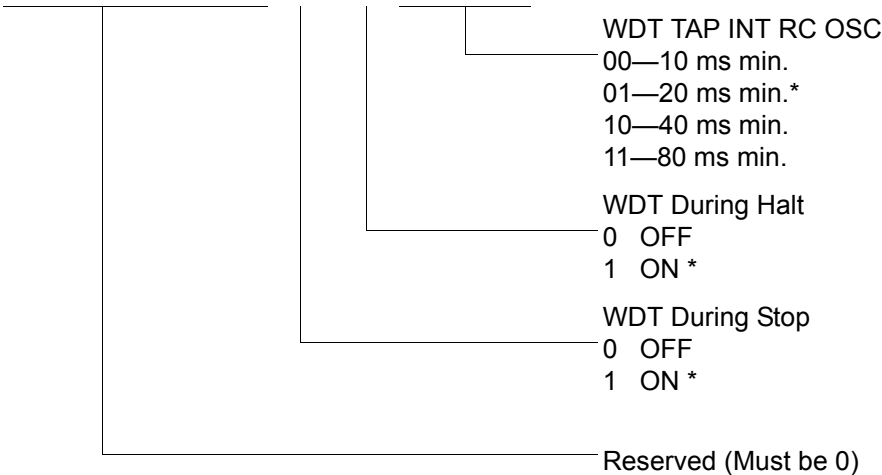
Note: If used in conjunction with SMR, either of the two specified events causes a Stop-Mode Recovery.  
 \* Default setting after reset. Not reset with a Stop Mode recovery.  
 \*\* At the XOR gate input

**Figure 43. Stop Mode Recovery Register 2 ((0F) 0DH: D2–D4, D6 Write Only)**



WDTMR (0F) 0FH

D7	D6	D5	D4	D3	D2	D1	D0
----	----	----	----	----	----	----	----



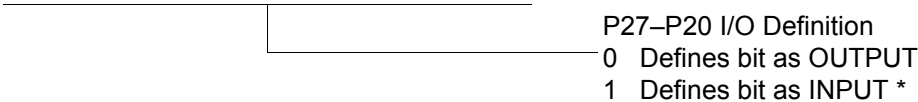
\* Default setting after reset. Not reset with a Stop Mode recovery.

Figure 44. Watch-Dog Timer Register ((0F) 0FH: Write Only)

### Standard Control Registers

R246 P2M (F6H)

D7	D6	D5	D4	D3	D2	D1	D0
----	----	----	----	----	----	----	----



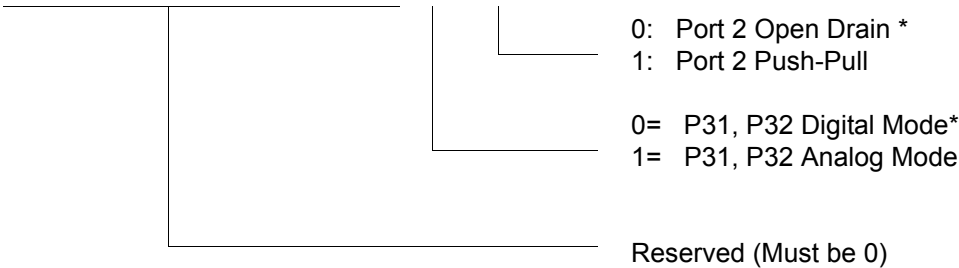
\* Default setting after reset. Not reset with a Stop Mode recovery.

Figure 45. Port 2 Mode Register (F6H: Write Only)



R247 P3M (F7H)

D7	D6	D5	D4	D3	D2	D1	D0
----	----	----	----	----	----	----	----



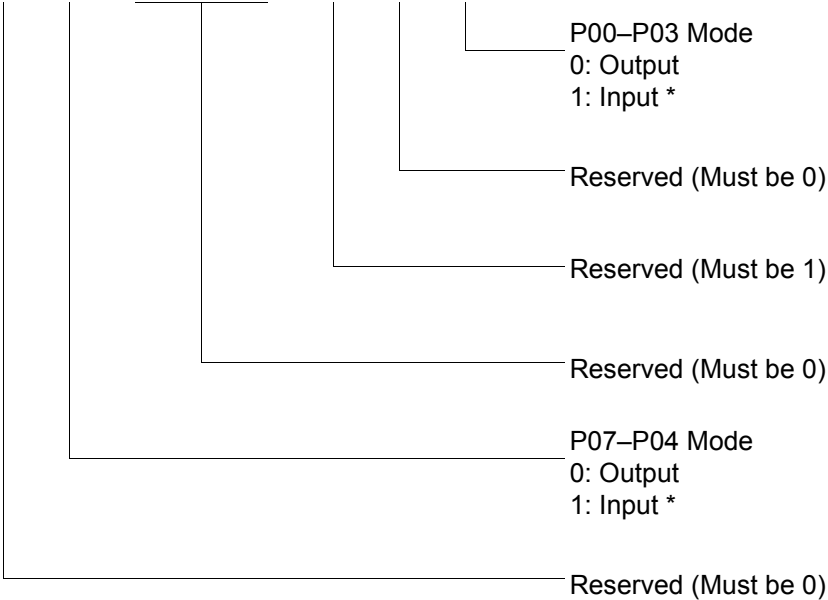
\* Default setting after reset. Not reset with a Stop Mode recovery.

Figure 46. Port 3 Mode Register (F7H: Write Only)



R248 P01M (F8H)

D7	D6	D5	D4	D3	D2	D1	D0
----	----	----	----	----	----	----	----



\* Default setting after reset; only P00, P01 and P07 are available on 20-pin configurations.

Figure 47. Port 0 Register (F8H: Write Only)



R249 IPR (F9H)

D7	D6	D5	D4	D3	D2	D1	D0
----	----	----	----	----	----	----	----

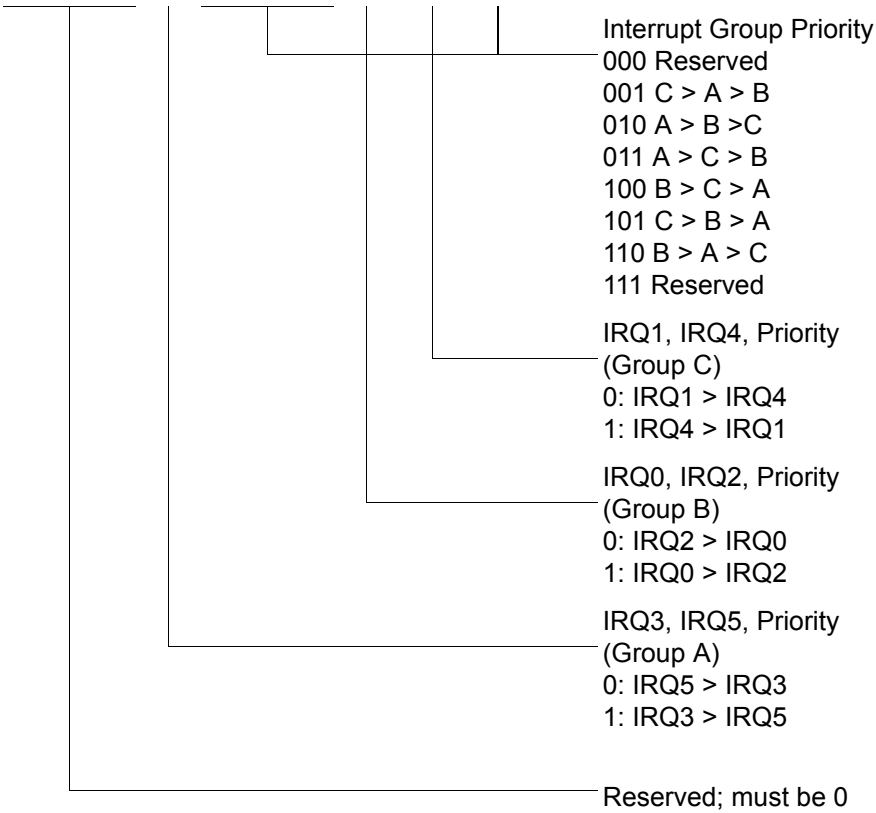


Figure 48. Interrupt Priority Register (F9H: Write Only)

R250 IRQ (FAH)

D7	D6	D5	D4	D3	D2	D1	D0
----	----	----	----	----	----	----	----

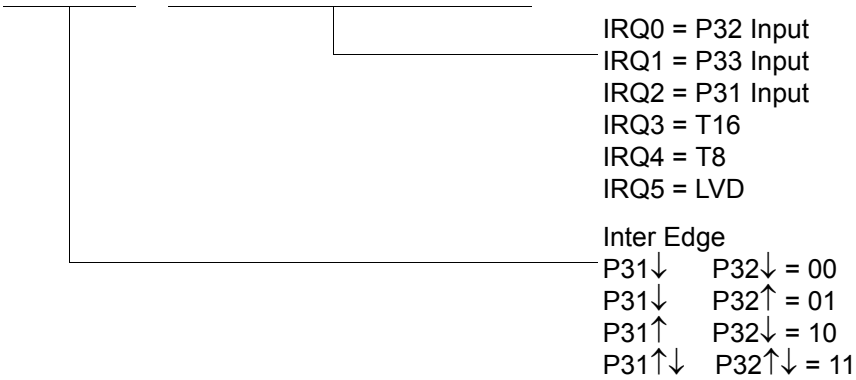
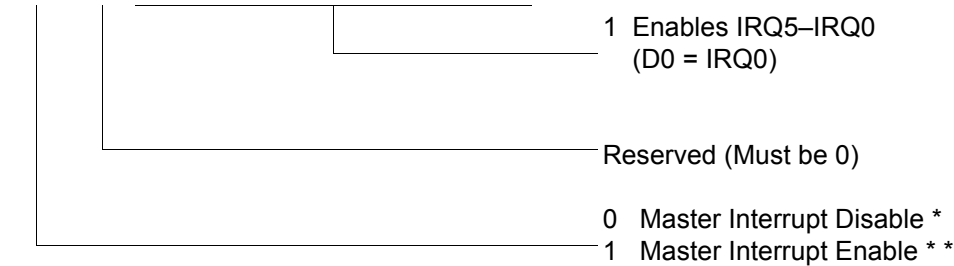


Figure 49. Interrupt Request Register (FAH: Read/Write)

R251 IMR (FBH)

D7	D6	D5	D4	D3	D2	D1	D0
----	----	----	----	----	----	----	----



\* Default setting after reset  
 \*\* Only by using EI, DI instruction; DI is required before changing the IMR register

Figure 50. Interrupt Mask Register (FBH: Read/Write)





R252 Flags (FCH)

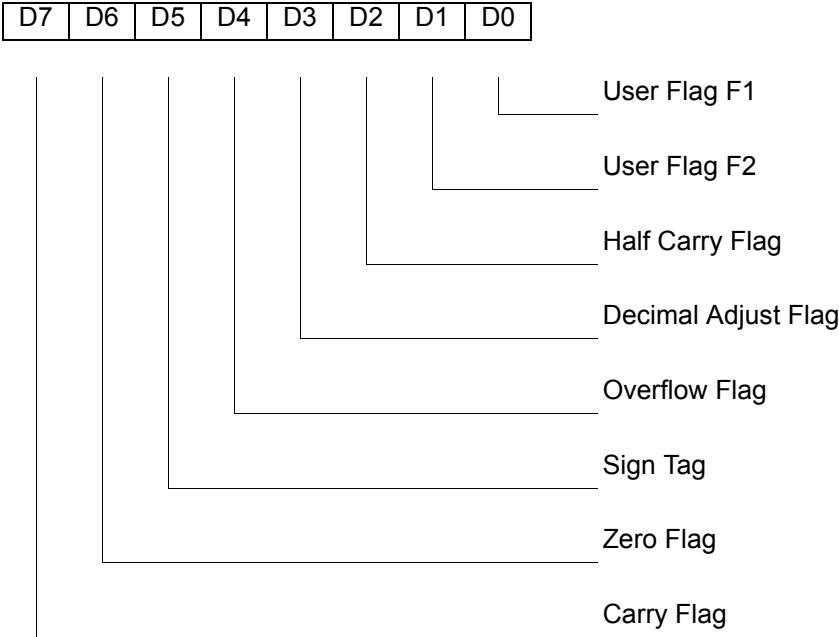
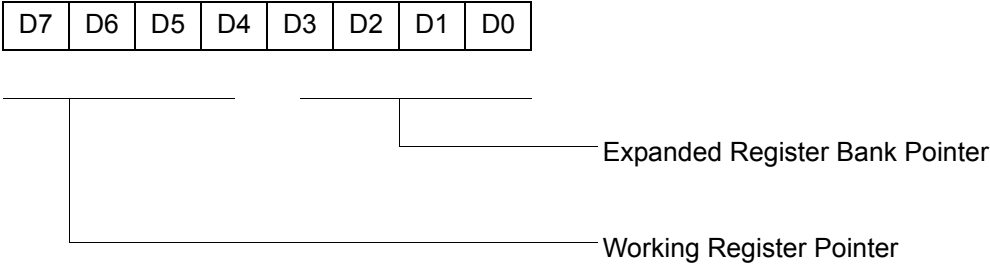


Figure 51. Flag Register (FCH: Read/Write)

R253 RP (FDH)



Default setting after reset = 0000 0000

Figure 52. Register Pointer (FDH: Read/Write)



R254 SPH (FEH)

D7	D6	D5	D4	D3	D2	D1	D0
----	----	----	----	----	----	----	----

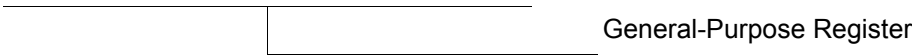


Figure 53. Stack Pointer High (FEH: Read/Write)

R255 SPL (FFH)

D7	D6	D5	D4	D3	D2	D1	D0
----	----	----	----	----	----	----	----

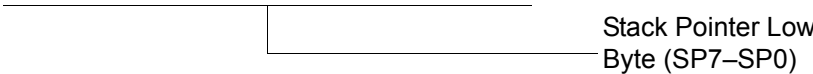
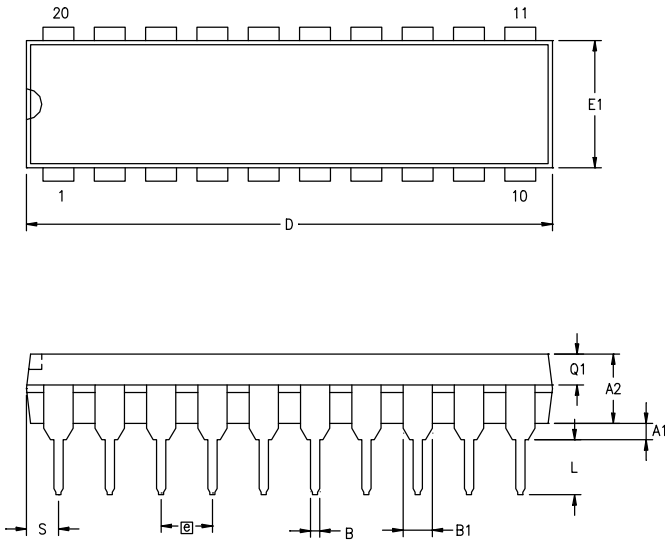


Figure 54. Stack Pointer Low (FFH: Read/Write)

## Package Information

Package information for all device versions of the ZGR163L is depicted in Figures 55 through Figure 60.



SYMBOL	MILLIMETER		INCH	
	MIN	MAX	MIN	MAX
A1	0.38	0.81	.015	.032
A2	3.25	3.68	.128	.145
B	0.41	0.51	.016	.020
B1	1.47	1.57	.058	.062
C	0.20	0.30	.008	.012
D	25.65	26.16	1.010	1.030
E	7.49	8.26	.295	.325
E1	6.10	6.65	.240	.262
[G]	2.54 BSC		.100 BSC	
eA	7.87	9.14	.310	.360
L	3.18	3.43	.125	.135
Q1	1.42	1.65	.056	.065
S	1.52	1.65	.060	.065

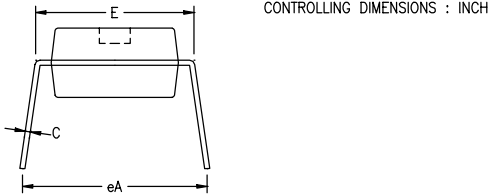
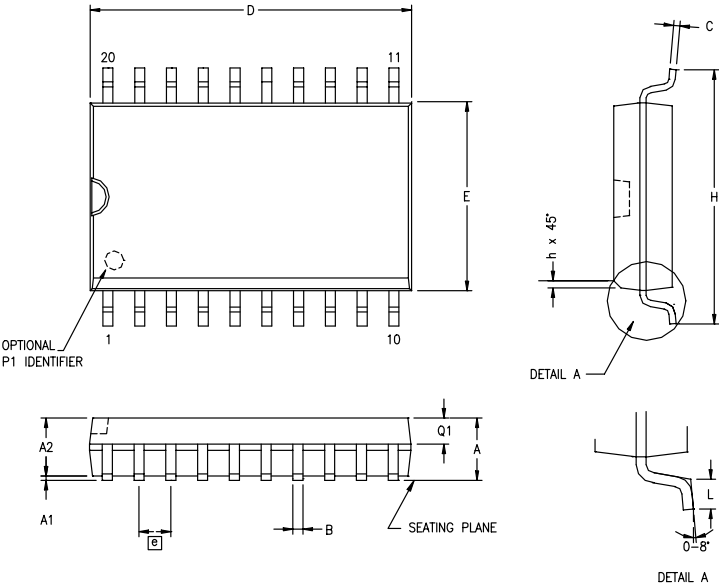


Figure 55. 20-Pin DIP Package Diagram



SYMBOL	MILLIMETER		INCH	
	MIN	MAX	MIN	MAX
A	2.40	2.65	.094	.104
A1	0.10	0.30	.004	.012
A2	2.24	2.44	.088	.096
B	0.36	0.46	.014	.018
C	0.23	0.30	.009	.012
D	12.60	12.95	.496	.510
E	7.40	7.60	.291	.299
[G]	1.27 BSC		.050 BSC	
H	10.00	10.65	.394	.419
h	0.30	0.40	.012	.016
L	0.60	1.00	.024	.039
Q1	0.97	1.07	.038	.042

CONTROLLING DIMENSIONS : MM  
LEADS ARE COPLANAR WITHIN .004 INCH.

Figure 56. 20-Pin SOIC Package Diagram

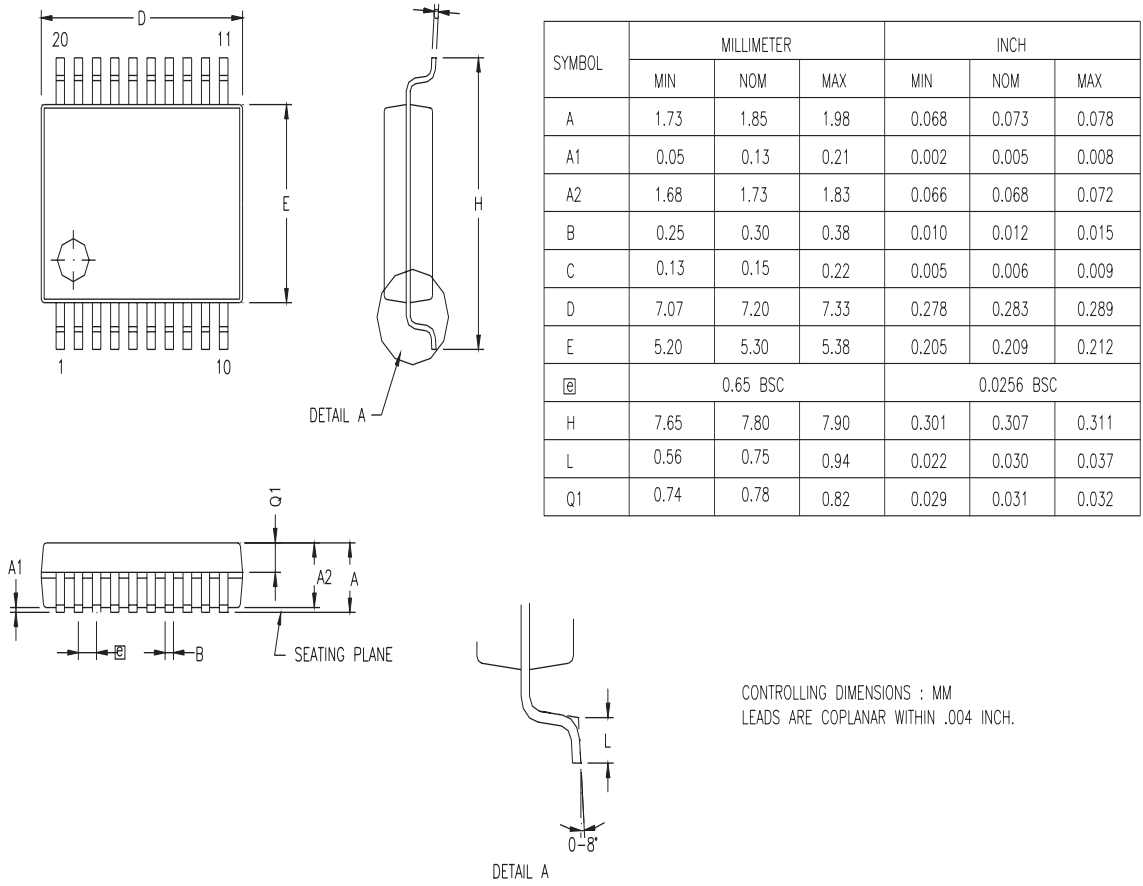
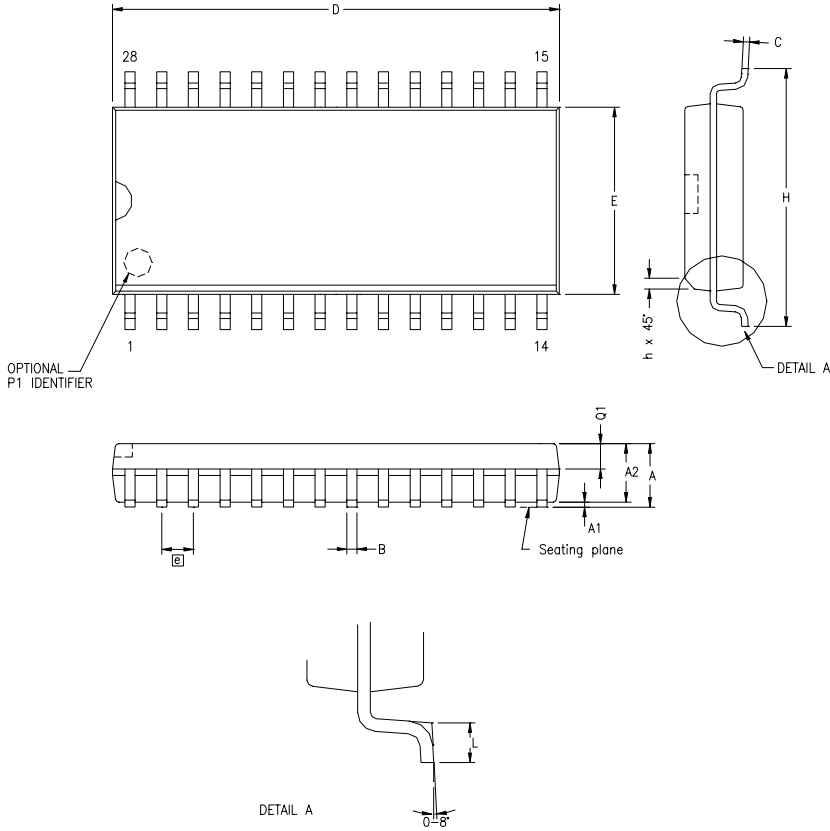


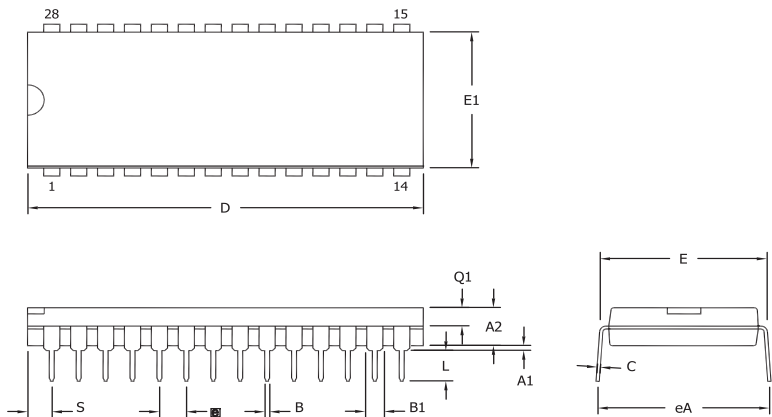
Figure 57. 20-Pin SSOP Package Diagram



SYMBOL	MILLIMETER		INCH	
	MIN	MAX	MIN	MAX
A	2.40	2.64	.094	.104
A1	0.10	0.30	.004	.012
A2	2.24	2.44	.088	.096
B	0.36	0.46	.014	.018
C	0.23	0.30	.009	.012
D	17.78	18.00	.700	.710
E	7.40	7.60	.291	.299
□	1.27 BSC		.050 BSC	
H	10.00	10.65	.394	.419
h	0.30	0.71	.012	.028
L	0.61	1.00	.024	.039
Q1	0.97	1.09	.038	.043

CONTROLLING DIMENSIONS : MM  
LEADS ARE COPLANAR WITHIN .004 INCH.

Figure 58. 28-Pin SOIC Package Diagram



SYMBOL	OPT #	MILLIMETER		INCH	
		MIN	MAX	MIN	MAX
A1		0.38	1.02	.015	.040
A2		3.18	4.19	.125	.165
B		0.38	0.53	.015	.021
B1	01	1.40	1.65	.055	.065
	02	1.14	1.40	.045	.055
C		0.23	0.38	.009	.015
D	01	36.58	37.34	1.440	1.470
	02	35.31	35.94	1.390	1.415
E		15.24	15.75	.600	.620
E1	01	13.59	14.10	.535	.555
	02	12.83	13.08	.505	.515
[e]		2.54 TYP		.100 BSC	
eA		15.49	16.76	.610	.660
L		3.05	3.81	.120	.150
Q1	01	1.40	1.91	.055	.075
	02	1.40	1.88	.055	.074
S	01	1.52	2.29	.060	.090
	02	1.02	1.52	.040	.060

CONTROLLING DIMENSIONS : INCH

OPTION TABLE	
OPTION #	PACKAGE
01	STANDARD
02	IDF

Note: ZiLOG supplies both options for production. Component layout PCB design should cover bigger option 01.

Figure 59. 28-Pin DIP Package Diagram

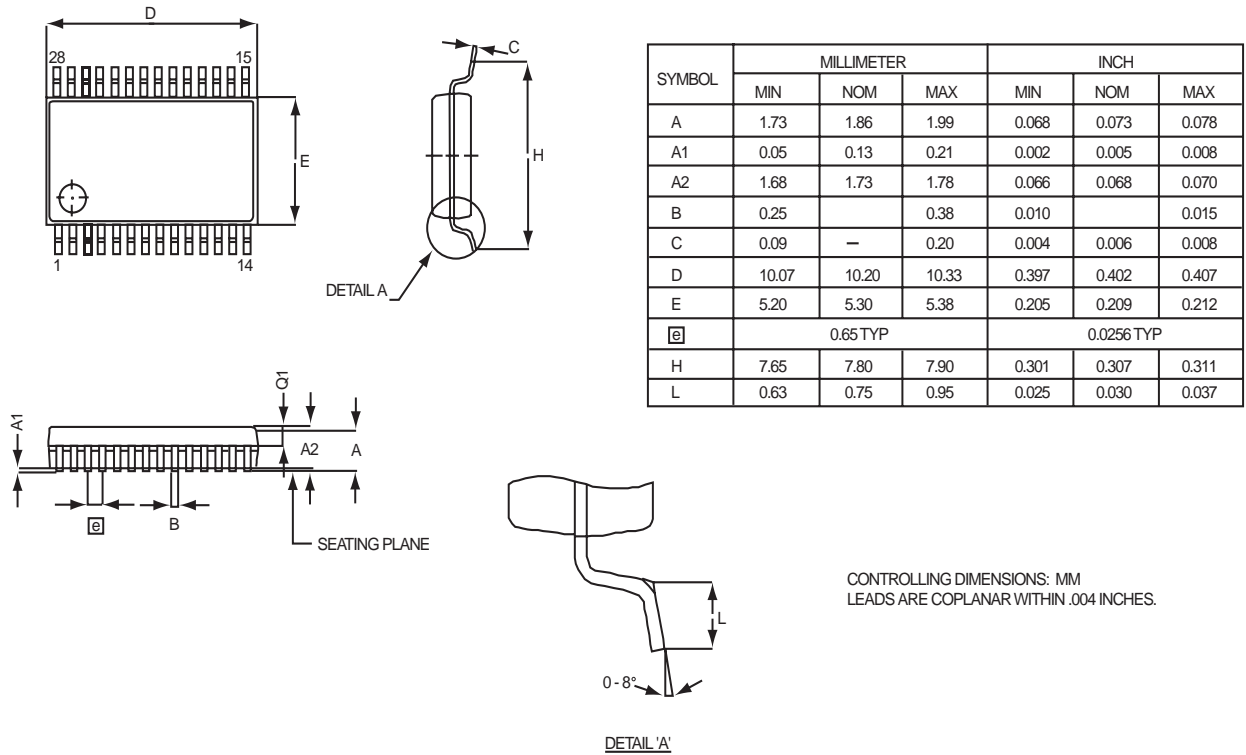


Figure 60. 28-Pin SSOP Package Diagram

► **Note:** Please check with ZiLOG® on the actual bonding diagram and coordinate for chip-on-board assembly.



## Ordering Information

---



---

### 16KB Standard Temperature: 0° to +70°C

Part Number	Description	Part Number	Description
ZGR163LSH2816C	28-pin SSOP 16K ROM	ZGR163LSH2016C	20-pin SSOP 16K ROM
ZGR163LSP2816C	28-pin PDIP 16K ROM	ZGR163LSP2016C	20-pin PDIP 16K ROM
ZGR163LSS2816C	28-pin SOIC 16K ROM	ZGR163LSS2016C	20-pin SOIC 16K ROM

---



---

### 16KB Extended Temperature: -40° to +105°C

Part Number	Description	Part Number	Description
ZGR163LEH2816C	28-pin SSOP 16K ROM	ZGR163LEH2016C	20-pin SSOP 16K ROM
ZGR163LEP2816C	28-pin PDIP 16K ROM	ZGR163LEP2016C	20-pin PDIP 16K ROM
ZGR163LES2816C	28-pin SOIC 16K ROM	ZGR163LES2016C	20-pin SOIC 16K ROM

---



---

### 16KB Automotive Temperature: -40° to +125°C

Part Number	Description	Part Number	Description
ZGR163LAH2816C	28-pin SSOP 16K ROM	ZGR163LAH2016C	20-pin SSOP 16K ROM
ZGR163LAP2816C	28-pin PDIP 16K ROM	ZGR163LAP2016C	20-pin PDIP 16K ROM
ZGR163LAS2816C	28-pin SOIC 16K ROM	ZGR163LAS2016C	20-pin SOIC 16K ROM

Replace C with G for Lead-Free Packaging

---






---



---

**8KB Standard Temperature: 0° to +70°C**

<b>Part Number</b>	<b>Description</b>	<b>Part Number</b>	<b>Description</b>
ZGR163LSH2808C	28-pin SSOP 8K ROM	ZGR163LSH2008C	20-pin SSOP 8K ROM
ZGR163LSP2808C	28-pin PDIP 8K ROM	ZGR163LSP2008C	20-pin PDIP 8K ROM
ZGR163LSS2808C	28-pin SOIC 8K ROM	ZGR163LSS2008C	20-pin SOIC 8K ROM

---



---

**8KB Extended Temperature: -40° to +105°C**

<b>Part Number</b>	<b>Description</b>	<b>Part Number</b>	<b>Description</b>
ZGR163LEH2808C	28-pin SSOP 8K ROM	ZGR163LEH2008C	20-pin SSOP 8K ROM
ZGR163LEP2808C	28-pin PDIP 8K ROM	ZGR163LEP2008C	20-pin PDIP 8K ROM
ZGR163LES2808C	28-pin SOIC 8K ROM	ZGR163LES2008C	20-pin SOIC 8K ROM

---



---

**8KB Automotive Temperature: -40° to +125°C**

<b>Part Number</b>	<b>Description</b>	<b>Part Number</b>	<b>Description</b>
ZGR163LAH2808C	28-pin SSOP 8K ROM	ZGR163LAH2008C	20-pin SSOP 8K ROM
ZGR163LAP2808C	28-pin PDIP 8K ROM	ZGR163LAP2008C	20-pin PDIP 8K ROM
ZGR163LAS2808C	28-pin SOIC 8K ROM	ZGR163LAS2008C	20-pin SOIC 8K ROM

Replace C with G for Lead-Free Packaging

---




---



---

**4KB Standard Temperature: 0° to +70°C**

<b>Part Number</b>	<b>Description</b>	<b>Part Number</b>	<b>Description</b>
ZGR163LSH2804C	28-pin SSOP 4K ROM	ZGR163LSH2004C	20-pin SSOP 4K ROM
ZGR163LSP2804C	28-pin PDIP 4K ROM	ZGR163LSP2004C	20-pin PDIP 4K ROM
ZGR163LSS2804C	28-pin SOIC 4K ROM	ZGR163LSS2004C	20-pin SOIC 4K ROM

---



---

**4KB Extended Temperature: -40° to +105°C**

<b>Part Number</b>	<b>Description</b>	<b>Part Number</b>	<b>Description</b>
ZGR163LEH2804C	28-pin SSOP 4K ROM	ZGR163LEH2004C	20-pin SSOP 4K ROM
ZGR163LEP2804C	28-pin PDIP 4K ROM	ZGR163LEP2004C	20-pin PDIP 4K ROM
ZGR163LES2804C	28-pin SOIC 4K ROM	ZGR163LES2004C	20-pin SOIC 4K ROM

---



---

**4KB Automotive Temperature: -40° to +125°C**

<b>Part Number</b>	<b>Description</b>	<b>Part Number</b>	<b>Description</b>
ZGR163LAH2804C	28-pin SSOP 4K ROM	ZGR163LAH2004C	20-pin SSOP 4K ROM
ZGR163LAP2804C	28-pin PDIP 4K ROM	ZGR163LAP2004C	20-pin PDIP 4K ROM
ZGR163LAS2804C	28-pin SOIC 4K ROM	ZGR163LAS2004C	20-pin SOIC 4K ROM

Replace C with G for Lead-Free Packaging

---




---



---

**2KB Standard Temperature: 0° to +70°C**

<b>Part Number</b>	<b>Description</b>	<b>Part Number</b>	<b>Description</b>
ZGR163LSH2802C	28-pin SSOP 2K ROM	ZGR163LSH2002C	20-pin SSOP 2K ROM
ZGR163LSP2802C	28-pin PDIP 2K ROM	ZGR163LSP2002C	20-pin PDIP 2K ROM
ZGR163LSS2802C	28-pin SOIC 2K ROM	ZGR163LSS2002C	20-pin SOIC 2K ROM

---



---

**2KB Extended Temperature: -40° to +105°C**

<b>Part Number</b>	<b>Description</b>	<b>Part Number</b>	<b>Description</b>
ZGR163LEH2802C	28-pin SSOP 2K ROM	ZGR163LEH2002C	20-pin SSOP 2K ROM
ZGR163LEP2802C	28-pin PDIP 2K ROM	ZGR163LEP2002C	20-pin PDIP 2K ROM
ZGR163LES2802C	28-pin SOIC 2K ROM	ZGR163LES2002C	20-pin SOIC 2K ROM

---



---

**2KB Automotive Temperature: -40° to +125°C**

<b>Part Number</b>	<b>Description</b>	<b>Part Number</b>	<b>Description</b>
ZGR163LAH2802C	28-pin SSOP 2K ROM	ZGR163LAH2002C	20-pin SSOP 2K ROM
ZGR163LAP2802C	28-pin PDIP 2K ROM	ZGR163LAP2002C	20-pin PDIP 2K ROM
ZGR163LAS2802C	28-pin SOIC 2K ROM	ZGR163LAS2002C	20-pin SOIC 2K ROM

Replace C with G for Lead-Free Packaging

---




---



---

**1KB Standard Temperature: 0° to +70°C**

Part Number	Description	Part Number	Description
ZGR163LSH2801C	28-pin SSOP 1K ROM	ZGR163LSH2001C	20-pin SSOP 1K ROM
ZGR163LSP2801C	28-pin PDIP 1K ROM	ZGR163LSP2001C	20-pin PDIP 1K ROM
ZGR163LSS2801C	28-pin SOIC 1K ROM	ZGR163LSS2001C	20-pin SOIC 1K ROM

---



---

**1KB Extended Temperature: -40° to +105°C**

Part Number	Description	Part Number	Description
ZGR163LEH2801C	28-pin SSOP 1K ROM	ZGR163LEH2001C	20-pin SSOP 1K ROM
ZGR163LEP2801C	28-pin PDIP 1K ROM	ZGR163LEP2001C	20-pin PDIP 1K ROM
ZGR163LES2801C	28-pin SOIC 1K ROM	ZGR163LES2001C	20-pin SOIC 1K ROM

---



---

**1KB Automotive Temperature: -40° to +125°C**

Part Number	Description	Part Number	Description
ZGR163LAH2801C	28-pin SSOP 1K ROM	ZGR163LAH2001C	20-pin SSOP 1K ROM
ZGR163LAP2801C	28-pin PDIP 1K ROM	ZGR163LAP2001C	20-pin PDIP 1K ROM
ZGR163LAS2801C	28-pin SOIC 1K ROM	ZGR163LAS2001C	20-pin SOIC 1K ROM

Replace C with G for Lead-Free Packaging

---



---

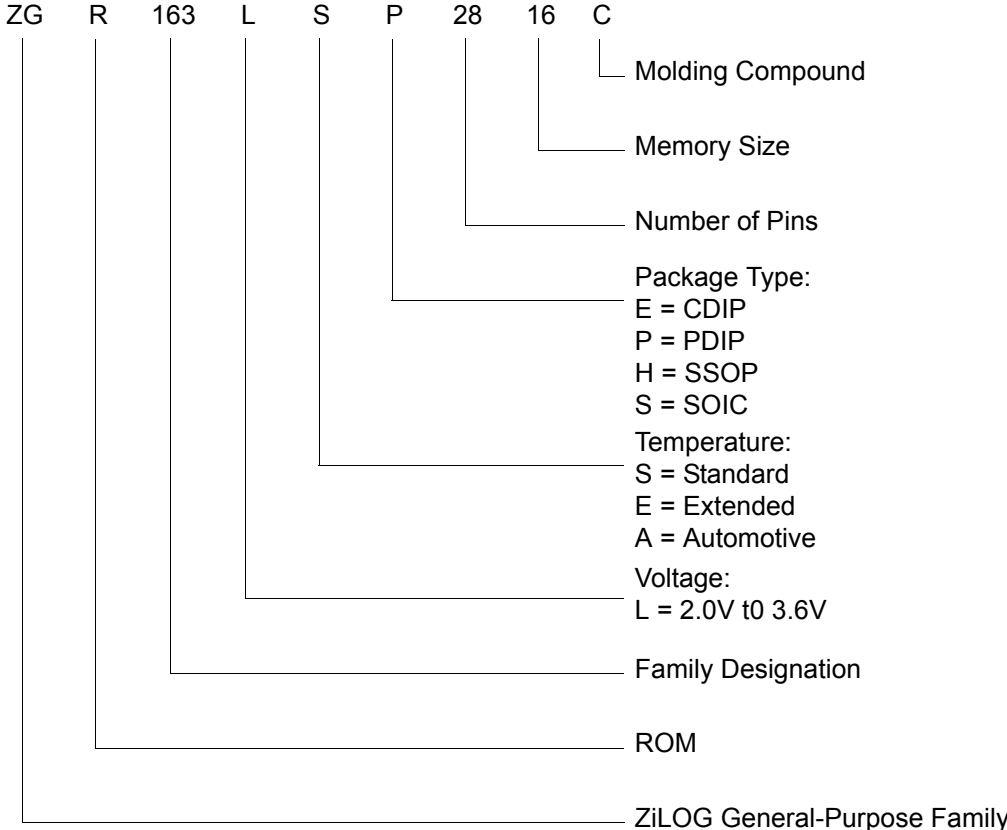
**Additional Components**

Part Number	Description	Part Number	Description
ZGP323ICE15ZEM (For 3.6V Emulation only)	Emulator/programmer	ZGP32300100ZPR (Ethernet)	Programming system
		ZGP32300200ZPR (USB)	Programming system



For fast results, contact your local ZiLOG sales office for assistance in ordering the part desired.

**Example**



# Index

## Numerics

16-bit counter/timer circuits 42  
 20-pin DIP package diagram 76  
 20-pin SSOP package diagram 77  
 28-pin DIP package diagram 79  
 28-pin SOIC package diagram 78  
 28-pin SSOP package diagram 80  
 8-bit counter/timer circuits 38

## A

absolute maximum ratings 6  
 AC  
     characteristics 13  
     timing diagram 13  
 address spaces, basic 2  
 architecture 2  
     expanded register file 24

## B

basic address spaces 2  
 block diagram, ZLR16300 functional 3

## C

capacitance 8  
 capture\_INT\_mask 30, 35  
 characteristics  
     AC 13  
     DC 8  
 clock 49  
 comparator inputs/outputs 21  
 configuration  
     port 0 16  
     port 2 17  
     port 3 18  
     port 3 counter/timer 20  
 counter/timer

16-bit circuits 42  
 8-bit circuits 38  
 brown-out voltage/standby 59  
 clock 49  
 demodulation mode count capture flowchart 40  
 demodulation mode flowchart 41  
 EPROM selectable options 59  
 glitch filter circuitry 36  
 halt instruction 50  
 input circuit 36  
 interrupt block diagram 47  
 interrupt types, sources and vectors 48  
 oscillator configuration 49  
 output circuit 45  
 ping-pong mode 44  
 port configuration register 51  
 resets and WDT 58  
 SCLK circuit 53  
 stop instruction 50  
 stop mode recovery register 52  
 stop mode recovery register 2 56  
 stop mode recovery source 54  
 T16 demodulation mode 43  
 T16 transmit mode 42  
 T16\_OUT in modulo-N mode 43  
 T16\_OUT in single-pass mode 43  
 T8 demodulation mode 39  
 T8 transmit mode 36  
 T8\_OUT in modulo-N mode 39  
 T8\_OUT in single-pass mode 39  
 transmit mode flowchart 37  
 voltage detection and flags 60  
 watch-dog timer mode register 57  
 watch-dog timer time select 58  
 counter/timer functional blocks  
     input circuit 36  
     T8 transmit mode 36  
 counter\_INT\_mask 35  
 crt3 T8/T16 control register

register 35  
CTR(D)01h T8 and T16 common functions 31  
CTR1 (0D)01 30  
CTR3 T8/T16 control CTR3(0D)03h 35

## D

DC characteristics 8  
demodulation mode  
    count capture flowchart 40  
    flowchart 41  
    T16 43  
    T8 39  
description  
    functional 21  
    general 2  
    pin 5

## E

EPROM  
    selectable options 59  
expanded register file 22  
expanded register file architecture 24  
expanded register file control registers 65  
    flag 74  
    interrupt mask register 73  
    interrupt priority register 72  
    interrupt request register 73  
    port 0 and 1 mode register 71  
    port 2 configuration register 69  
    port 3 mode register 70  
    port configuration register 69  
    register pointer 74  
    stack pointer high register 75  
    stack pointer low register 75  
    stop-mode recovery register 67  
    stop-mode recovery register 2 68  
    T16 control register 63  
    T8 and T16 common control functions register 62  
    TC8 control register 61  
    watch-dog timer register 69

## F

features  
    standby modes 1  
functional description  
    counter/timer functional blocks 36  
    CTR0(0D)00h register 29  
    CTR1(0D)01h register 31  
    CTR2(0D)02h register 33  
    expanded register file 22  
    expanded register file architecture 24  
    HI16(0D)09h register 28  
    HI8(0D)0Bh register 28  
    L08(0D)0Ah register 28  
    L0I6(0D)08h register 28  
    program memory map 22  
    RAM 21  
    register description 59  
    register file 26  
    register pointer 25  
    register pointer detail 27  
    stack 27  
    TC16H(0D)07h register 28  
    TC16L(0D)06h register 29  
    TC8H(0D)05h register 29  
    TC8L(0D)04h register 29  
    TC8L(D)04h register 29

## G

glitch filter circuitry 36

## H

halt instruction, counter/timer 50

## I

input circuit 36  
interrupt block diagram, counter/timer 47  
interrupt types, sources and vectors 48



## L

low-voltage detection register 59

## M

memory, program 21

modulo-N mode

T16\_OUT 43

T8\_OUT 39

## O

oscillator configuration 49

output circuit, counter/timer 45

## P

P34\_out 30

P35\_out 35

P36\_out/demodulator input 32

package information

20-pin DIP package diagram 76

20-pin SSOP package diagram 77

28-pin DIP package diagram 79

28-pin SOIC package diagram 78

28-pin SSOP package diagram 80

pin configuration

20-pin DIP/SOIC/SSOP 5

28-pin DIP/SOIC/SSOP 6

pin functions

port 0 (P07 - P00) 15

port 0 configuration 16

port 2 (P27 - P20) 16

port 2 (P37 - P30) 17

port 2 configuration 17

port 3 configuration 18

port 3 counter/timer configuration 20

XTAL1 (time-based input 15

XTAL2 (time-based output) 15

ping-pong mode 44

port 0

configuration 16

pin function 15

port 2

configuration 17

pin function 16

port 3

configuration 18

counter/timer configuration 20

port 3 pin function 17

port configuration register 51

power connections 3

power supply 5

program memory 21

map 22

## R

ratings, absolute maximum 6

register 56

CTR0(0D)00h 29

CTR1 (0D) 01 30

CTR1(0D)01h 31

CTR2(0D)02h 33

flag 74

HI16(0D)09h 28

HI8(0D)0Bh 28

interrupt priority 72

interrupt request 73

interruptmask 73

L016(0D)08h 28

L08(0D)0Ah 28

LVD(D)0Ch 59

pointer 74

port 0 and 1 71

port 2 configuration 69

port 3 mode 70

port configuration 51, 69

stack pointer high 75

stack pointer low 75

stop mode recovery 52

stop mode recovery 2 56

stop-mode recovery 67

stop-mode recovery 2 68

T16 control 63

T8 and T16 common control functions 62

TC16H(0D)07h 28





- TC16L(0D)06h 29
- TC8 control 61
- TC8H(0D)05h 29
- TC8L(0D)04h 29
- TC8L(D)04h 29
- voltage detection 65
- watch-dog timer 69
- register description
  - counter/timer2 LS-Byte hold 29
  - counter/timer2 MS-Byte hold 28
  - counter/timer8 control 29
  - counter/timer8 High hold 29
  - counter/timer8 Low hold 29
  - CTR2 counter/timer 16 control 33
  - T16\_capture\_LO 28
  - T8 and T16 common functions 31
  - T8\_Capture\_HI 28
  - T8\_capture\_LO 28
- register file 26
  - expanded 22
- register pointer 25
  - detail 27
- resets and WDT 58

## S

- SCLK circuit 53
- single/modulo-N 30, 34
- single-pass mode
  - T16\_OUT 43
  - T8\_OUT 39
- stack 27
- standard test conditions 7
- standby modes 1
- stop instruction, counter/timer 50
- stop mode recovery
  - 2 register 56
  - source 54
- stop mode recovery 2 56
- stop mode recovery register 52

## T

- T 16 clock 35
- T16 enable 34
- T16 initial out/falling edge 33
- T16 transmit mode 42
- T16\_capture\_HI 28
- T8 and T16 common functions 30
- t8 clock 30
- T8 enable 30
- T8 initial out/rising edge 33
- T8 transmit mode 36
- T8/T16\_logic/edge\_detect 33
- T8\_Capture\_HI 28
- test conditions, standard 7
- test load diagram 7
- time\_out 35
- timeout 30
- timers
  - counter/timer2 LS-byte hold 29
  - counter/timer2 MS-byte hold 28
  - counter/timer8 high hold 29
  - counter/timer8 low hold 29
  - CTR0 counter/timer8 control 29
  - T16\_Capture\_HI 28
  - T16\_Capture\_LO 28
  - T8\_Capture\_HI 28
  - T8\_Capture\_LO 28
- timing diagram, AC 13
- transmit mode flowchart 37
- transmit\_submode/glitch filter 33

## V

- VCC 5
- voltage
  - brown-out/standby 59
  - detection and flags 60
  - voltage detection register 65



## W

watch-dog timer  
mode registerwatch-dog timer mode regis-  
ter 57  
time select 58

## X

XTAL1 5  
XTAL1 pin function 15  
XTAL2 5  
XTAL2 pin function 15