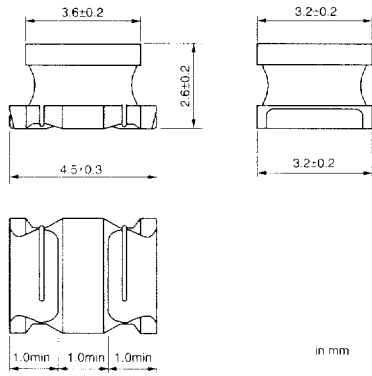


# Coils/Delay Lines

## ● LQH43C Series (1812)



LQH43C Series



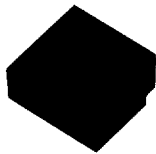
Part Number	Inductance (μH)	Rated Current (mA)	Max. of DC resistance (ohm)	Self Resonance Frequency (MHz)	EIA
LQH43CN100K01	10 ±10%	650	0.24	23	1812
LQH43CN150K01	15 ±10%	570	0.32	20	1812
LQH43CN220K01	22 ±10%	420	0.6	15	1812
LQH43CN330K01	33 ±10%	310	1.0	12	1812
LQH43CN470K01	47 ±10%	280	1.1	10	1812
LQH43CN680K01	68 ±10%	220	1.7	8.4	1812
LQH43CN101K01	100 ±10%	190	2.2	6.8	1812
LQH43CN151K01	150 ±20%	130	3.5	5.5	1812
LQH43CN221K01	220 ±10%	110	4.0	4.5	1812
LQH43CN331K01	330 ±10%	100	6.8	3.6	1812
LQH43CN471K01	470 ±10%	90	8.5	3.0	1812
LQH43CN1R0M01	1.0 ±20%	1080	0.08	100	1812
LQH43CN1R5M01	1.5 ±20%	1000	0.09	85	1812
LQH43CN2R2M01	2.2 ±20%	900	0.11	60	1812
LQH43CN3R3M01	3.3 ±20%	800	0.13	47	1812
LQH43CN4R7M01	4.7 ±20%	750	0.15	35	1812
LQH43CN6R8M01	6.8 ±20%	720	0.20	30	1812

Min. of Operating Temp. : -25 C to 85 C

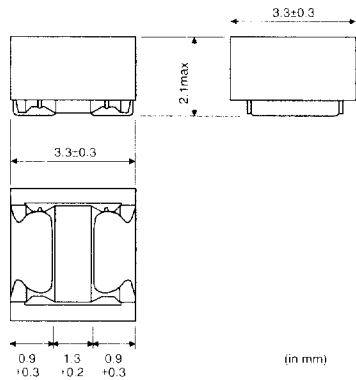
## Chip Coils

for Choke Magnetic Shielded Type

## ● LQH3KS Series (1212)



LQH3K Series



Part Number	Inductance (μH)	Rated Current (mA)	Max. of DC resistance (ohm)	Self Resonance Frequency (MHz)	EIA
LQH3KSN561N21	560 ±30%	50	10.14	3.0 min.	1212
LQH3KSN681N21	680 ±30%	40	11.83	2.6 min.	1212
LQH3KSN102N21	1000 ±30%	30	14.3	2.1 min.	1212

Continued on the following page.