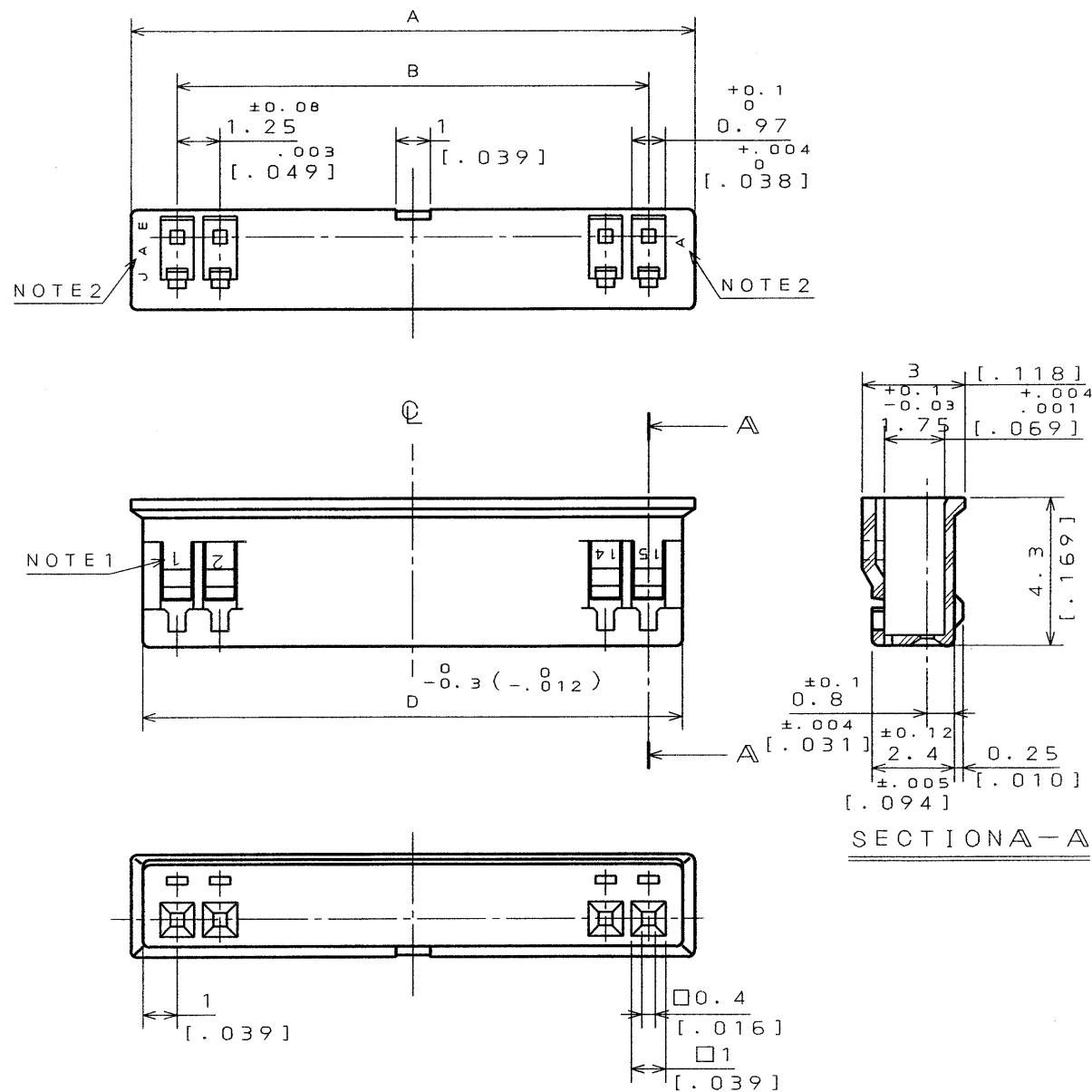


SJ021770-E

ON DWG

SYM.	DCN NO.	DESCRIPTION	DATE	DRAWN	CHECKED	APP'D	APP'D
2	32584	CHANGED IDENTIFICATION, OTHER	1.OCT.93				



IDENTIFICATION

IL-Z-\*\*\*S-S125C3-\*

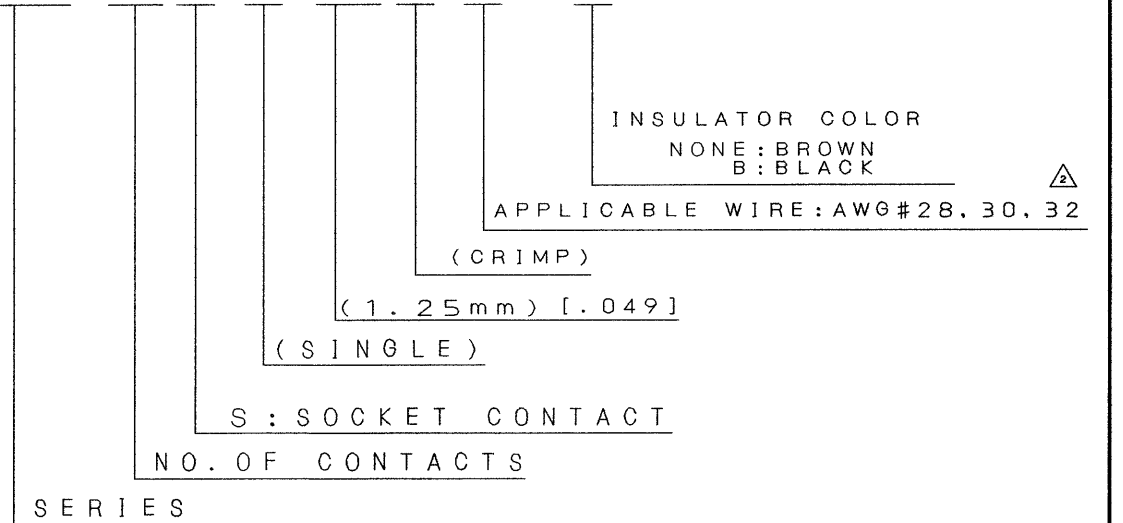


TABLE 1

PART NO.	NO. OF CONTACT	A ±0.25 [.010]	B ±0.15 [.006]	D -0.3 (-.012)
IL-Z-2S-S125C3-*	2	3.95 [.156]	1.25 [.049]	3.25 [.128]
3	3	5.2 [.205]	2.5 [.098]	4.5 [.177]
4	4	6.45 [.254]	3.75 [.148]	5.75 [.226]
5	5	7.7 [.303]	5 [.197]	7 [.276]
6	6	8.95 [.352]	6.25 [.246]	8.25 [.325]
7	7	10.2 [.402]	7.5 [.295]	9.5 [.374]
8	8	11.45 [.451]	8.75 [.344]	10.75 [.423]
9	9	12.7 [.500]	10 [.394]	12 [.472]
10	10	13.95 [.549]	11.25 [.443]	13.25 [.522]
11	11	15.2 [.598]	12.5 [.492]	14.5 [.571]
12	12	16.45 [.648]	13.75 [.541]	15.75 [.620]
13	13	17.7 [.697]	15 [.590]	17 [.669]
14	14	18.95 [.746]	16.25 [.640]	18.25 [.718]
IL-Z-15S-S125C3-*	15	20.2 [.795]	17.5 [.689]	19.5 [.768]

NOTE 1. CONTACT NO. (1~N) APPEARS IN RAISED LETTERS.  
NOTE 2. COMPANY LOGO "JAE" AND CAVITY NO. APPEARS IN RAISED LETTERS.

DIMENSIONS ARE IN MILLIMETERS  
TOLERANCES ON: (INCHES)

DIMENSION	ANGLES	CONCENTRICITY
. ± 0.3	X° ±	WITHIN T.I.N.
.X ± 0.012	X°X ±	
.XX ± 0.008		
.XXX ± 0.004		

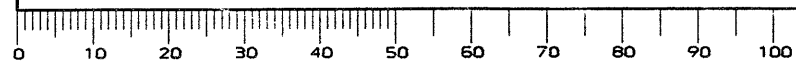
ITEM	DESCRIPTION	Q'TY	MATERIAL	FINISH	REMARKS
REFERENCE DOCUMENT	DATE	SCALE	WT.		
	6 . JUL. '90				
MATERIAL	DRAWN	CHECKED	APP'D		
GLASS FILLED 6-6NY	E. MURANO	I. IGARASHI			
TREATMENT	APP'D				
FINISH	APP'D				

**JAE-CONNECTOR.COM**  
Reference JAE

MUSASHINO, AKISHIMA-SHI  
TOKYO, JAPAN

DWG. NO.  
SJ021770-E

DCF-116A



CSP-93-180-52811