

Interactive Catalog Replaces Catalog Pages

Honeywell Sensing and Control has replaced the PDF product catalog with the new **Interactive Catalog**. The **Interactive Catalog** is a power search tool that makes it easier to find product information. It includes more installation, application, and technical information than ever before.



**Click this icon to try the new
Interactive Catalog.**

Sensing and Control

Honeywell Inc.

11 West Spring Street

Freeport, Illinois 61032

Basic Switches

Snap-in Panel Mount

DM/DP Series

Momentary Action



Bullet nose plunger (SPDT shown)

Alternate Action



Bullet nose plunger (DPDT shown)

Push-Pull



Finger grip plunger (DPDT shown)

Pull-to-Cheat



Finger grip plunger with flat tip (SPDT shown)



Finger grip plunger with spherical tip (DPDT shown)

FEATURES

- Attractive, rugged snap-in panel mount design — easy installation
- Choice of momentary, alternate push-pull and pull-to-cheat operation
- Quick-connect terminals
- Expected mechanical life: 1 million operations, 95% survival
- Temperature range: -35° to $+180^{\circ}$ F (-37° to 82° C)
- UL recognized file #E22779, CSA certified file #LR4442

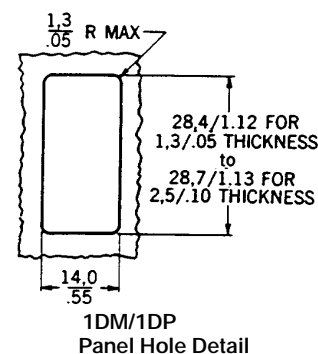
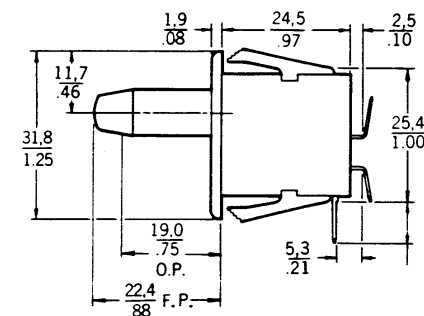
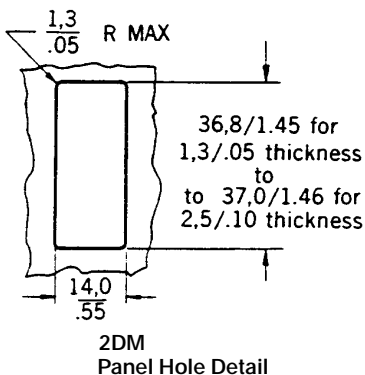
DM electrical rating — UL and CSA rating: 10 amps, 1/2 HP, 125, 250 or 277 VAC

DP electrical rating — UL standard 508, 14 amps 3/4 hp, 125, 250 VAC; Pilot Duty: 150 V A — 125, 250 VAC; 16 amps, 125, 250, 277 VAC, 3/4 hp, 125, 250 VAC; Pilot Duty: 150 V A — 125, 250 VAC.

NOTE: Refer to MICRO SWITCH Catalog 30 for DM switches with snap-on pushbuttons.

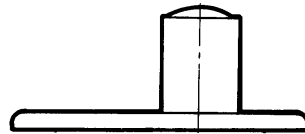
MOUNTING DIMENSIONS

Dimensions shown are for reference only.

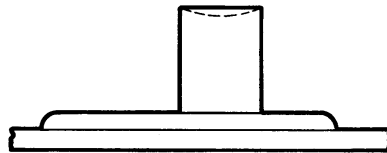


MOMENTARY ACTION

Momentary action switches are available in a choice of concave, convex, or bullet nose plunger styles.



Convex plunger



Concave plunger

ALTERNATE ACTION

These switches have push-on, push-off operation. The alternate action is at two levels, with the maintained On position of the plunger at a lower level than the normal Off.

PUSH-PULL

When plunger is depressed, it remains down and maintains circuit transfer. Switch contacts return to the previous position when the plunger is pulled to the extended position.

PULL-TO-CHEAT

Pull-to-cheat operates normally as a momentary action switch. However, by pulling the plunger beyond the normal free position, a maintained On position is achieved.

POSSIBLE VARIATIONS

In addition to the standard quick-connect .188 x .020" (4,78 x 0,51 mm) terminals, angled forms and .250 x .032" (6,35 x 0,81 mm) terminals can be provided. DM plungers and faceplates are available in any combination of white, black, gray, or red.

Basic Switches

Snap-in Panel Mount

DM/DP Series

Characteristics: F.P. — Free Position; O.P. — Operating Position; O.T. — Overtravel; O.F. — Operating Force; R.F. — Release Force

ORDER GUIDE – DM

Catalog Listing	Action	Circuitry	Plunger Type/Color	Faceplate Color	F.P. mm in.	O.P. mm in.	O.T. max. mm in.	O.F. max. N oz.	R.F. min. N oz.
1DM1	Momentary	SPDT	Bullet nose/White	White	22,4 .880	19,1±1,5 .750±.060	9,53 .375	4,17 15	0,83 3
1DM2	Momentary	SPNC	Bullet nose/White	White	22,4 .880	19,1±1,5 .750±.060	9,53 .375	4,17 15	0,83 3
1DM3	Momentary	SPNO	Bullet nose/White	White	22,4 .880	19,1±1,5 .750±.060	9,53 .375	4,17 15	0,83 3
1DM18	Momentary	SPDT	Concave/Black	Gray	11,4 .450	—	3,05 .120	4,17 15	0,83 3
1DM19	Momentary	SPDT	Concave/Red	Gray	11,4 .450	—	3,05 .120	4,17 15	0,83 3
1DM21	Momentary	SPDT	Convex/White	White	11,4 .450	9,02±1,5 .355±.060	3,05 .120	4,17 15	0,83 3
1DM38	Momentary	SPNO	Convex/White	White	11,4 .450	9,02-1,5 .355±.060	3,05 .120	4,17 15	0,83 3
1DM301	Push-Pull	SPDT	Finger grip/Black	Gray	24,1 .950	—	15,9 .625	—	—
1DM401**	Pull-to-Cheat	SPDT	Finger grip/White	White	17,8 .700	—	13,2 .520	4,17 15	0,83 3
2DM1	Momentary	DPDT	Bullet nose/Black	Black	22,4 .880	19,6±1,0 .770±.040	10,2 .400	6,67 24	1,67 6
2DM5	Momentary	DPDT	Concave/Black	Gray	11,4 .450	—	3,05 .120	6,67 24	1,67 6
2DM6	Momentary	DPDT	Concave/Red	Gray	11,4 .450	—	3,05 .120	6,67 24	1,67 6
2DM301	Push-Pull	DPDT	Finger grip/Black	Gray	24,1 .950	—	15,9 .625	—	—
2DM409	Pull-to-Cheat	DPDT	Finger grip/Black	Black	21,6 .850	18,9±1,3 .745±.050	15,0 .590	6,67 24	—
2001DM1*	Alternate	SPDT	Bullet nose/White	White	22,4 .880	—	15,4 .605	5,56 20	—

* Latch position 16,9 mm ± 0,76 mm (.665 in. ± .030 in.)

** Extended position 23,6 mm (.930 in. max.)

ORDER GUIDE – DP

Catalog Listing	Action	Circuitry	Plunger Type/Color	Faceplate Color	F.P. mm in.	O.P. mm in.	O.T. max. mm in.	O.F. max. N oz.	R.F. min. N oz.
1DP5	Momentary	SPNO	Bullet nose/White	White	22,4 .880	15,1±1,5 .595±.060	9,53 .375	4,45 16	0,83 3
1DP801	Momentary	SPDT	Concave/White	White	11,4 .45	9,0±1,5 .355±.060	3,0 .120	6,67 24	0,83 3

Door Switches