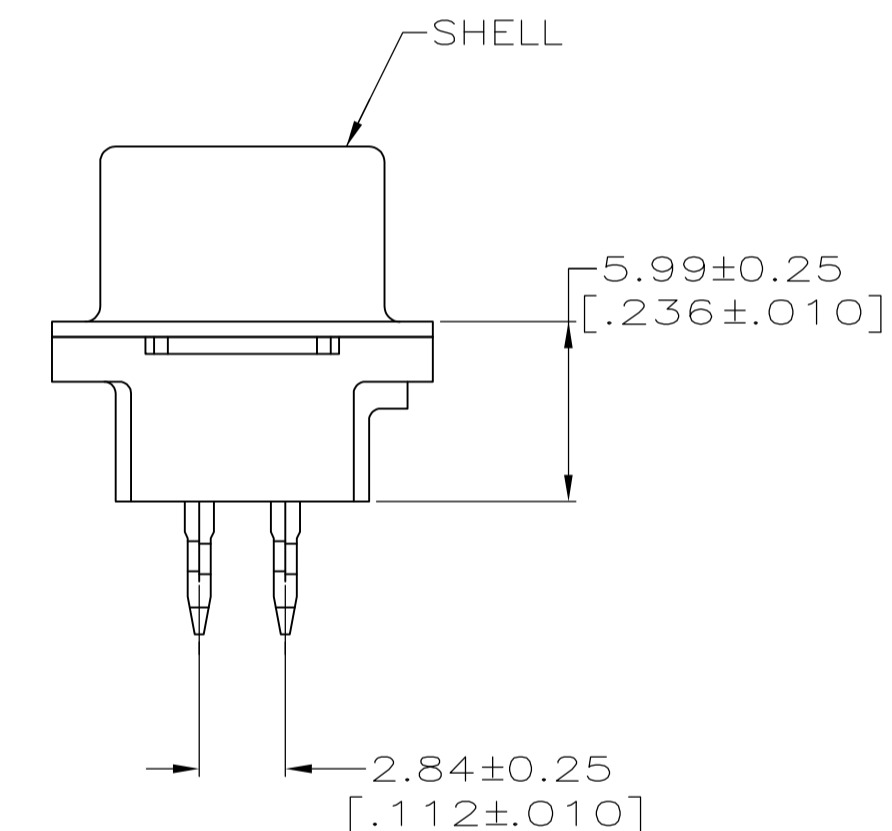
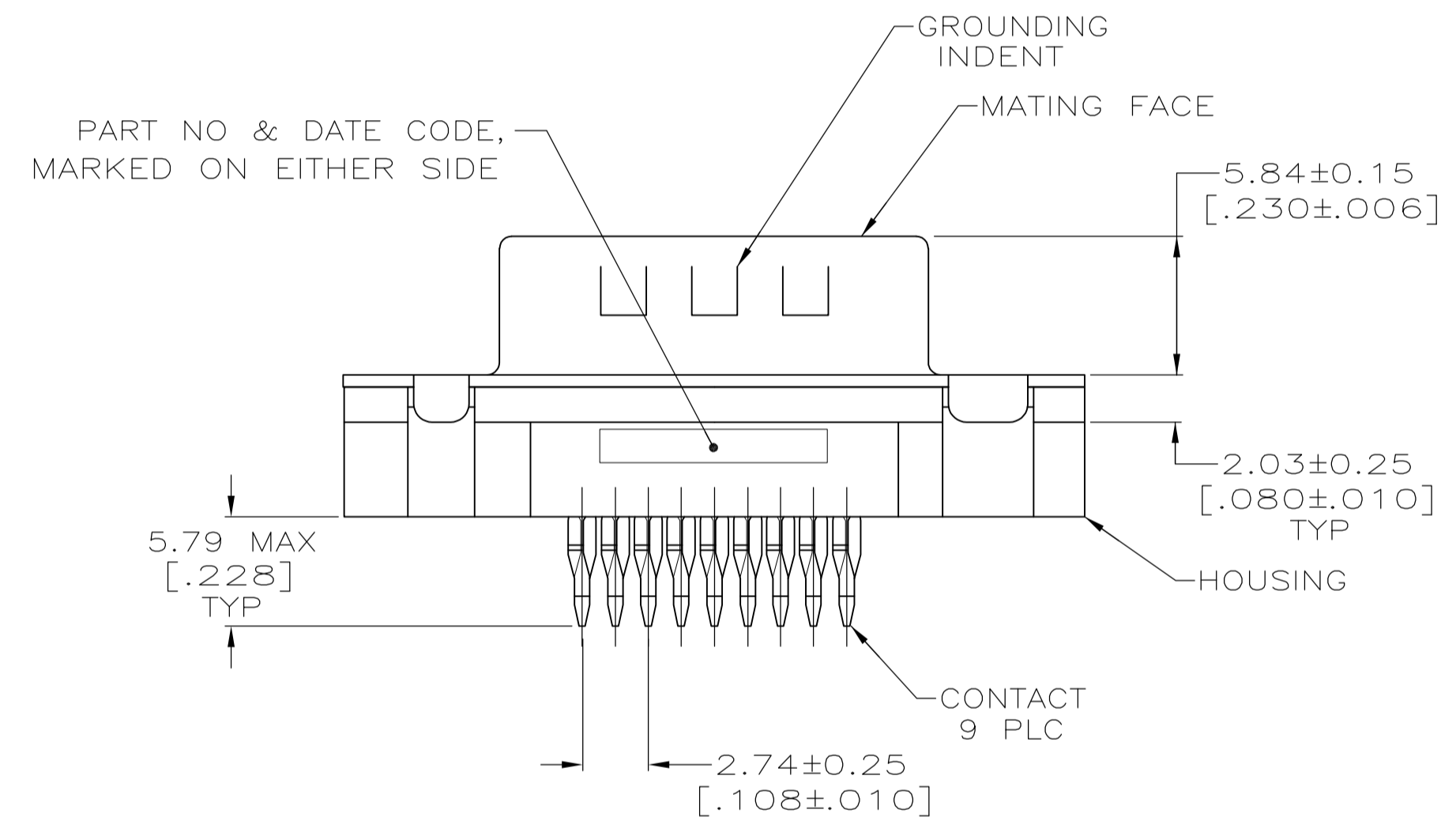
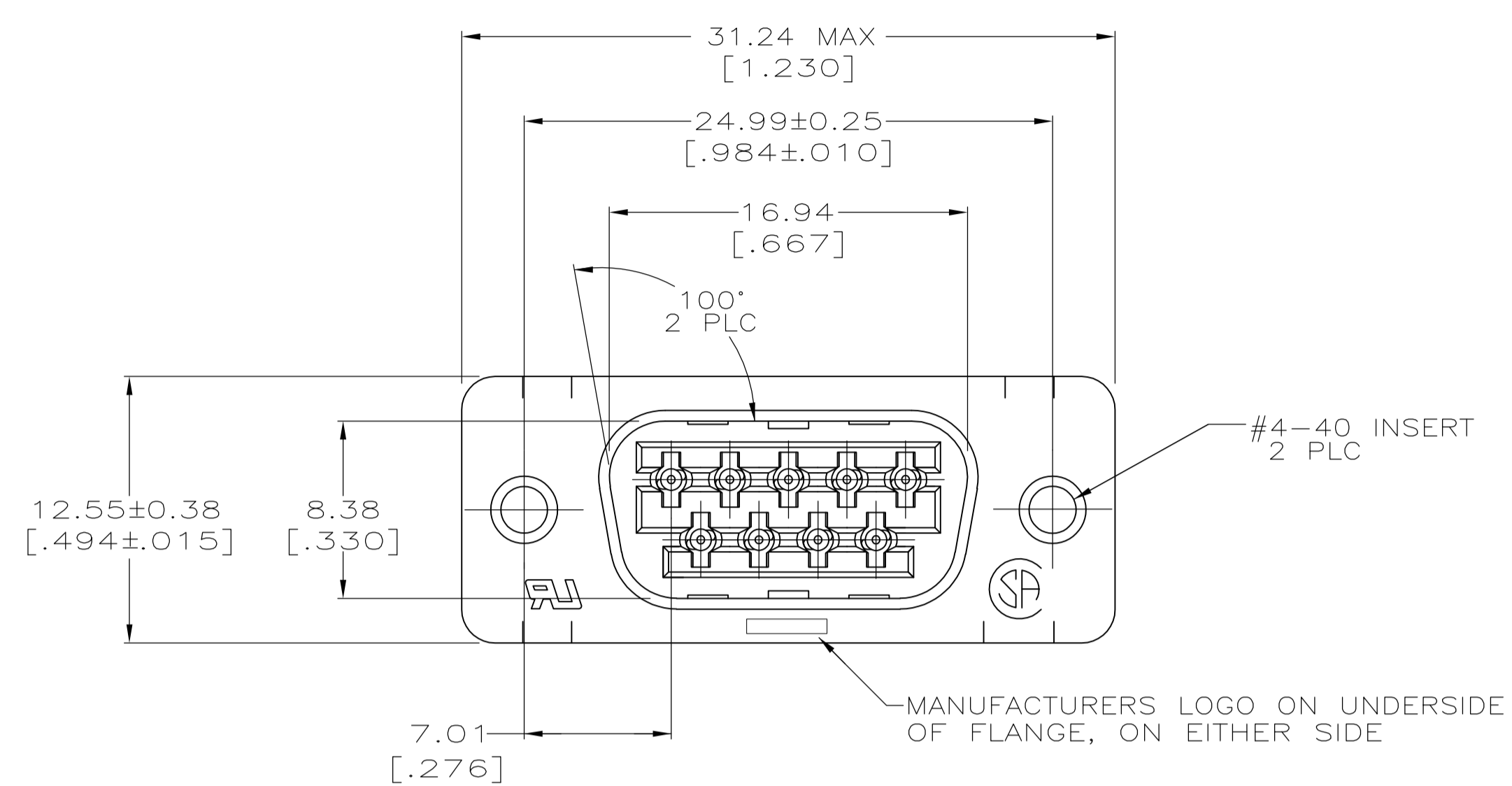


| LOC | | DIST | | REVISIONS | | | |
|-----|-----|---------------------------|-----------|-----------|------|--|--|
| P | LTR | DESCRIPTION | DATE | DWN | APVD | | |
| C | | REVISED PER ECO-12-000090 | 27JAN2012 | CJV | SLB | | |



- 1 FOR USE WITH 2.36 [.093] MINIMUM THICK PRINTED CIRCUIT BOARD. REFER TO APPLICATION SPECIFICATION FOR PRINTED CIRCUIT BOARD LAYOUT DIMENSIONS AND FINISH RECOMMENDATIONS.
- 2 HOUSING: NYLON, UL 94V-0 RATED, BLACK.
- 3 CONTACTS: COPPER ALLOY
- 4 SHELL: CARBON STEEL
- 5 INSERTS: BRASS.
- 6 SHELL: 5.08µm [.000200] MIN TIN OVER 2.54µm [.000100] MIN COPPER.
- 7 CONTACTS:
0.76 MICRO METERS [.000030] MINIMUM GOLD IN MATING AREA.
2.54 MICRO METERS [.000100] MINIMUM TIN ON COMPLIANT PIN.
ALL OVER 1.27 MICRO METERS [.000050] MINIMUM NICKEL.
OR
GOLD FLASH OVER PALLADIUM NICKEL.
0.76 MICRO METERS [.000030] MINIMUM TOTAL IN MATING AREA.
2.54 MICRO METERS [.000100] MINIMUM TIN ON COMPLIANT PIN.
ALL OVER 1.27 MICRO METERS [.000050] MINIMUM NICKEL.
- 8 DATUMS AND BASIC DIMENSIONS ESTABLISHED BY CUSTOMERS.

5786830-1
PART NO

**COPYRIGHT 2005
TYCO ELECTRONICS CORP
ALL RIGHTS RESERVED**

| | | | | | |
|--|--|--|--|---|--|
| THIS DRAWING IS A CONTROLLED DOCUMENT. DIMENSIONING AND TOLERANCING PER ASME Y14.5M-2009 | | DIN L VARELA - DOCKS 03-31-05 CHK S BOLASH 03-31-05 APVD M WALMSLEY 03-31-05 | | NAME PLUG ASSEMBLY, SIZE 1, 9 POSITION, MEDIUM PROFILE, ACTION PIN, AMPLIMITE HD-20 | |
| DIMENSIONS: INCHES | | TOLERANCES UNLESS OTHERWISE SPECIFIED: | | PRODUCT SPEC 108-40014 | |
| 0' PLC ± - | | 1' PLC ± - | | APPLICATION SPEC 114-40026 | |
| 1' PLC ± - | | 2' PLC ± 0.13 [.005] | | SIZE A1 | |
| 2' PLC ± - | | 3' PLC ± - | | CAGE CODE DRAWING NO 00779 | |
| 3' PLC ± - | | 4' PLC ± - | | RESTRICTED TO | |
| 4' PLC ± - | | ANGLES ± - | | WEIGHT - | |
| MATERIAL | | FINISH | | SCALE 4:1 SHEET 1 OF 1 REV C | |
| 2 3 4 5 | | 6 7 | | RESTRICTED CUSTOMER | |