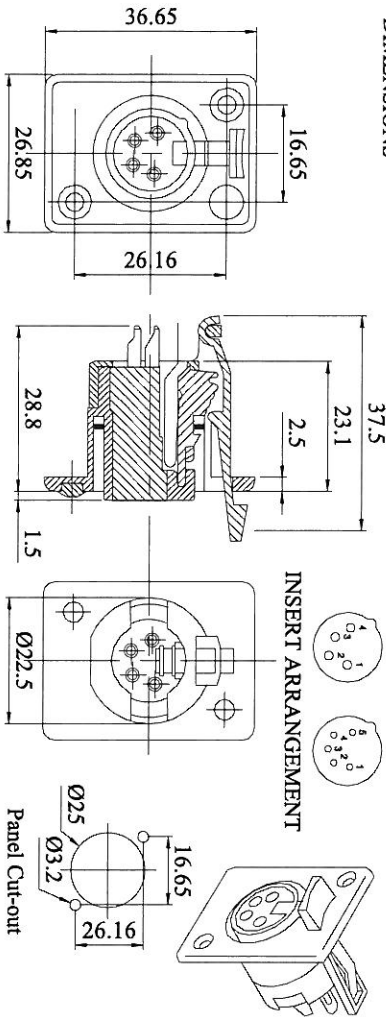


A range of panel mounting audio and video connectors incorporating many innovative features, compatible with all leading manufacturers' cable plugs.

- a simple press down, squeeze clip release mechanism makes it particularly easy to use.
- generous solder buckets enable easier cable assembly as well as catering for larger conductor sizes.
- a range of coloured plastic coding buttons is also available, offering a quick and easy system of channel identification.
- available in satin nickel or matt black finish, with either silver or gold plated contacts.

**DIMENSIONS**



| Deltron Part No | Silver Contacts |          | Gold Contacts |          |
|-----------------|-----------------|----------|---------------|----------|
|                 | Nickel          | Black    | Nickel        | Black    |
| 4-Way           | 702-0400        | 710-0400 | 706-0400      | 714-0400 |
| 5-Way           | 702-0500        | 710-0500 | 706-0500      | 714-0500 |

CONVERTED FROM PS882 ISS1 (22.08.97) IN JAN 2003

DrqNo 702-710-706-714 4&5 WAY TITLE PROFESSIONAL QUALITY - PANEL SOCKET



ISSUE 5 FOR MULTIPOLE CONNECTOR

CUSTOMER FILTER REF (LGS00175)

Aprvd Date 20.02.08 Aprvd By BFS Drwn by BS Scdr: NTS Sheet 1 / 1

© DEM Manufacturing Limited E-Mail sales@dem-uk.com, Website www.dem-uk.com, Phone +44 1724 273200 Fax +44 1724 280353

| Mechanical Properties     |   |
|---------------------------|---|
| Housing                   | Zinc high pressure diecasting satin nickel or black chrome      |
| Contact base              | Valox DR48  |
| Contacts                  | Brass, 3 microns silver anti-tarnish finish or 0.5 microns gold |
| Collar                    | Polypropylene VIR 222 black                                     |
| Latch                     | Zinc high pressure diecasting                                   |
| Chuck                     | Acetal (UL 94 HB)   |
| Screw collar              | Zinc high pressure diecasting satin nickel or black chrome      |
| Screen                    | Spring Steel, 3 microns silver anti-tarnish                     |
| Interchangeable           | Buttons   |
| Connector ident           | Acetal (UL 94 HB)   |
| Ident options             | Black, Brown, Red, Orange, Yellow,                              |
| Operating Temp            | Green, Blue, Violet, Grey, White                                |
| Insertion force           | -30°C to +80°C  |
| Withdrawal force          | 20N   |
| Min No. insertions        | 10N   |
| Electrical Properties     | 5000  |
| Number of contacts        | 4 or 5  |
| Rated current per contact | 10 or 7.5 Amps  |
| Maximum wire size (solid) | 15 or 16 AWG  |
| Cap. Between contacts     | 3.0, 2.5 mm <sup>2</sup>  |
| Rated voltage             | 7 or 7 pF   |
| Test voltage              | 50 Volts ac   |
| Contact resistance        | 1500 Volts ac   |
| Insulation resistance     | 3m Ω  |
|                           | 1G Ω  |

ALL DIMENSIONS IN MM ANGLES IN DECIMAL DEGREES