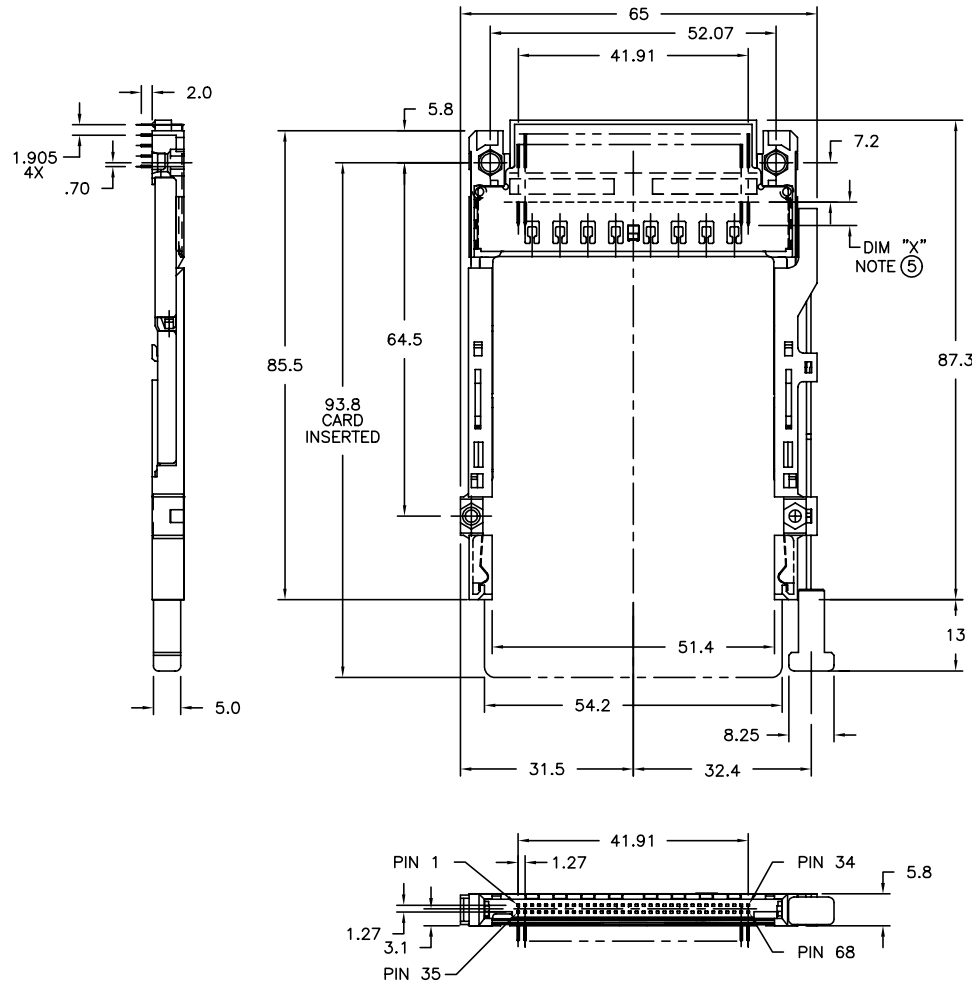


PRODUCT NO.
72206-000CA/000CALF
NOTE ⑧

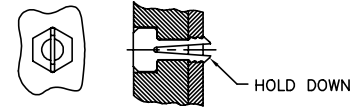


NOTES:

- 1 8mm MIN CARD EJECT.
- 2 PUSH-ROD TRAVEL: 9.5mm
- 3 MATERIAL:
 - 3.1 HEADER ASSY:
PLASTIC HOUSING: HIGH TEMPERATURE THERMOPLASTIC UL94V-0 BLACK - ABOVE PCB
PIN: PHOSPHOR BRONZE
 - 3.2 EJECT MECHANISM ASSY:
PLASTIC GUIDE: HIGH TEMPERATURE THERMOPLASTIC UL94V-0 BLACK
PLASTIC PUSH-ROD BUTTON: HIGH TEMPERATURE THERMOPLASTIC UL94V-0 BLACK
COVER PLATE, EJECT PLATE, LINK ARM,
PUSH ROD: STAINLESS STEEL
EMI CONTACT: PHOSPHOR BRONZE
- 4 FINISH (PIN)
UNDER PLATING: 0.5um MIN Ni
CONTACT AREA: 0.076 um MIN. GOLD

SOLDER TAIL: 2.5umMIN Sn-Pb FOR TIN LEAD OPTION
2.5umMIN PURE TIN FOR LEAD FREE OPTION
- ⑤ DIM "X"

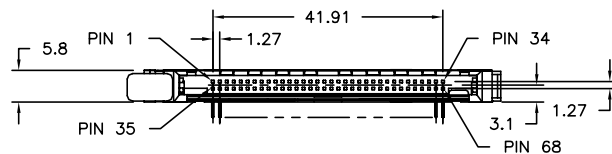
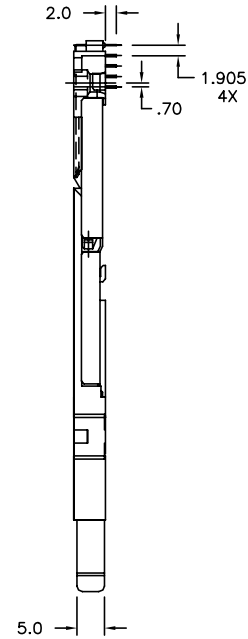
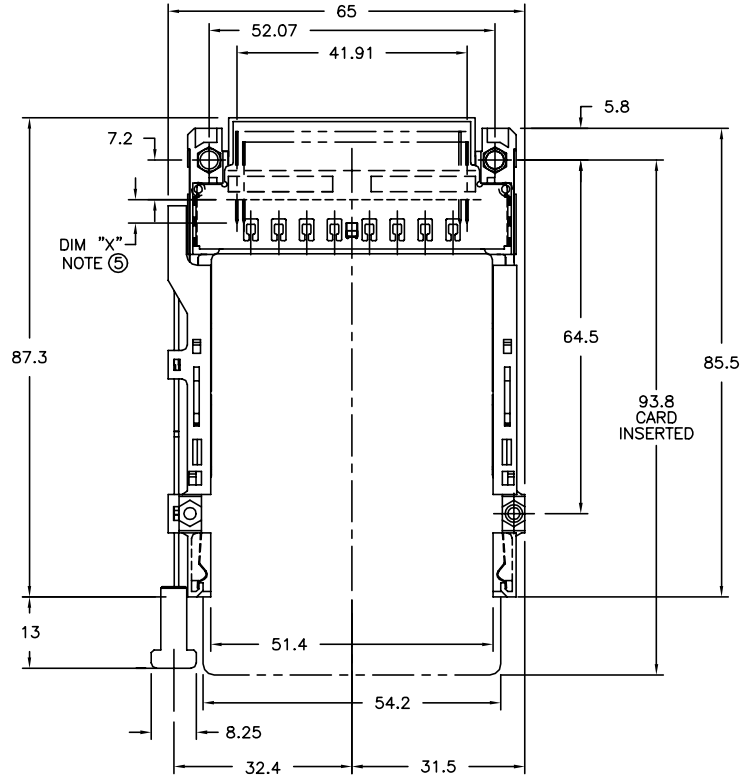
4.25±0.1	3.5±0.1	5.0±0.1
OTHERS	36,67	1,17,34,35,51,68
- 6 RECOMMENDED HOLD DOWN - 2mm SCREWS (95121-001) AND NUTS (92869-001).
RECOMMENDED SCREW TORQUE: 1.0 TO 1.5 MAX in-lbs. (1.2-1.7 cm-kgs).
- 7 SEE SHEET 3 FOR PCB LAYOUT INFORMATION.
- ⑧ ADD "H" TO PART NUMBER FOR OPTIONAL HOLD DOWN (2 PER EJECT MECHANISM).



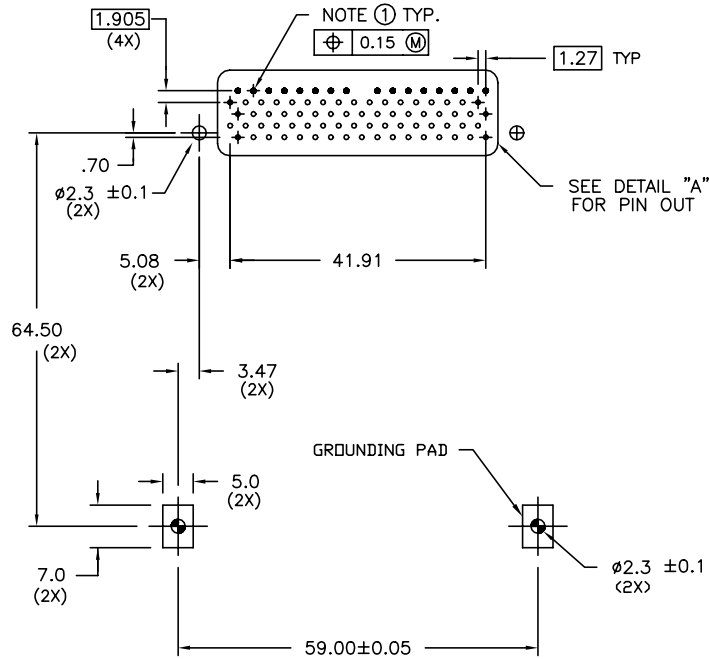
- 9 IF LEAD FREE P/N.THE HOUSING WILL WITHSTAND EXPOSURE TO 260°C PEAK TEMPERATURE FOR 10 SECONDS IN A WAVE SOLDER APPLICATION WITH A 1.00MM MINIMUM THICK CIRCUIT BOARD.
- 10 IF LEAD FREE P/N.THE PRODUCT MEETS EUROPEAN UNION DIRECTIVES AND OTHER COUNTRY REGULATIONS AS DISCRIBED IN GS-22-008
- 11 LEAD FREE P/N PACKAGING MEETS GS-14-920 SPECIFICATION
- 12 PRODUCT SPEC:110-263

mat'l. code		surface <input checked="" type="checkbox"/> ISO1302 <input checked="" type="checkbox"/> tolerance <input checked="" type="checkbox"/> ISO1101 <input checked="" type="checkbox"/> ISO406		projection	product family	
l trechn nodr date		tolerances unless other			MCS	
E	V12164	TFG	8/16/01	angle	R/A CARDBUS SINGLE	
F	N05-0054	WB	03/02/05	0°±2'	DECK ASSEMBLY	
G	BLX-N-011408	ZK	04/02/12	0°±2'	scale 1:1	
		dr		R.GRAPE	4/29/96	dwg no
		enr		D.BRANN	4/29/96	sheet 1 of 3
		chr		D.BRANN	4/29/96	size
		appd		D.BRANN	4/29/96	A4
sheet		revisio		type		Product Customer Drawing
index	sheet	1	2			

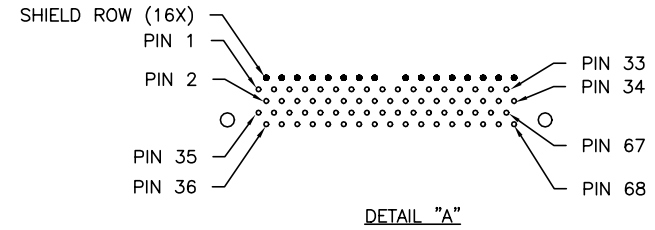
PRODUCT NO.
72206-100CA/100CALF
NOTE ③



mat'l. code	surface ISO1302 ✓	tolerance ISO1101 ISO406	projection ⊕	product family MCS
ltr ecn nodr	date	tolerances unless otherwise specified	MM	R/A CARDBUS SINGLE DECK ASSEMBLY
G		0.X±0.3	scale 1:1	dwg no 72206 sheet 2 of 3 size A4
		0.XX±0.13		type Product Customer Drawing
		0.XXX±0.051		
	dr R.GRAPE	4/29/96		
	engr D.BRANN	4/29/96		
	chr D.BRANN	4/29/96		
	appd D.BRANN	4/29/96		
sheet index	revision sheet			



P.C.B. LAYOUT



NOTES:

- ① RECOMMENDED DIAMETER IS Ø1.0. FOR PROCESSES USING PASTE REFLOW, HOLE MAY BE AS SMALL AS Ø0.79.
- 2 ALL TOLERANCES ±0.15 UNLESS NOTED.

mat'l. code		surface ISO1302 ✓		tolerance ISO1101 ISO406		projection MM		product family MCS	
l t r e c n n o d r		date		tolerances unless otherwise specified		scale 1:1		title R/A CARDBUS SINGLE DECK ASSEMBLY	
g		angle		0.X±0.3 0.XX±0.13 0.XXX±0.051		MM		dwg no 72206	
dr		R.GRAPE		4/29/96		FCI		sheet 3 of 3	
enr		D.BRANN		4/29/96				size A4	
chr		D.BRANN		4/29/96				type Product Customer Drawing	
appd		D.BRANN		4/29/96					
sheet index		revision sheet							