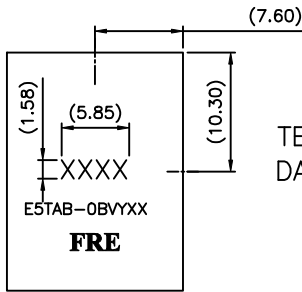
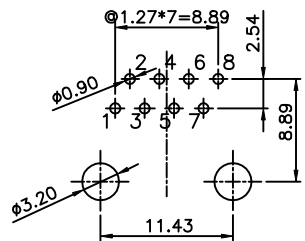
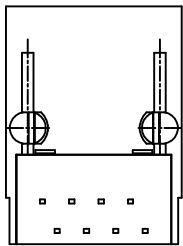
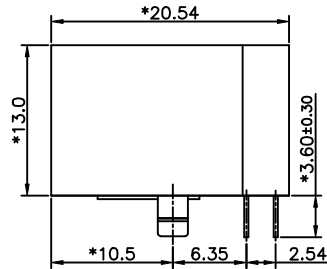
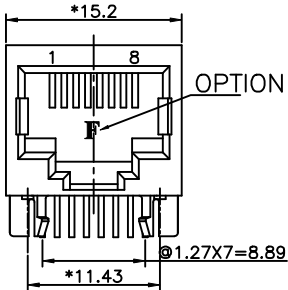


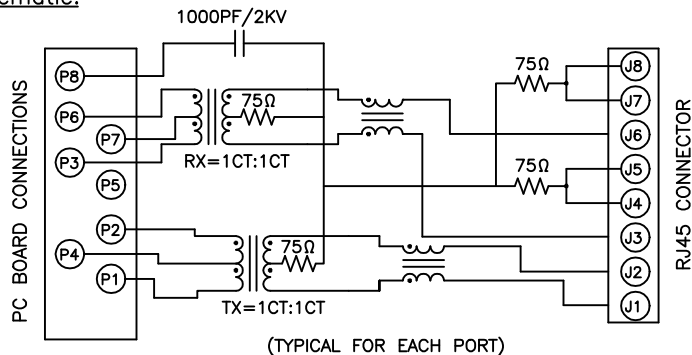
REVISION RECORD				
REV	ECO	DESCRIPTION	DRFT	CHKD



TEXT COLOR : BLACK
 DATE CODE : XXXX
 YEAR : DATE WEEK



Schematic:



NOTES:

Characteristics Description:

1. RJ45 10/100 Base-Tx Transformer Jack With Transformer/ Impedance Resistor/High Voltage Capacitor.
2. Size Same As RJ-45 Modular Jack To Save PCB Board Space.
3. Reduce EMI Radiation, Improve EMI Performance.
4. Designed For Network Interface Card Application.
5. Designed To Meet IEEE 802.3u Requirement.
6. Designed For 100 Base Transmission over UTP-5 Cable.

Electrical Specification:

1. Rise Time(10-90%): 2.5ns Typical
2. OCL: 350uH Minimum@100KHZ 100mV 8mADC
3. Insertion Loss(1 MHZ-100 MHZ): -1.1dB Maximum
4. Return Loss: -20dB Minimum@ 1 MHZ-30 MHZ
-15dB Minimum@ 30 MHZ-60 MHZ
-11dB Minimum@ 60 MHZ-80 MHZ
5. Crosstalk: -30dB Minimum@ 1 MHZ-100 MHZ
6. Turn Ratio: RX=1CT:1CT(±5%) TX=1CT:1CT(±5%) Cw/w: 28pf Max
7. Leakage Inductance(TX&RX):0.5uH Max
8. CMRR: -30dB Minimum@ 1 MHZ-100 MHZ
9. Differential to Common Mode Rejection: -40dB Minimum@ 100 KHZ-100 MHZ
10. Voltage Rating: 125 VAC
11. Current Rating: 1.5 V
12. ISOLATION VOLTAGE @60HZ:1500Vrms(INPUT TO OUTPUT) 60SEC

Mechanical:

1. Housing Material : NYLON+25%.G.F(FR50) UL94V-0 COLOR YELLOW
2. Insert Material : PBT+30%.G.F UL94V-0
3. Contact Mateial : Phosphor Bronze t=0.35mm.
4. Plating : 1:Contact Area- Selectine Gold Plating.
2:Tails Tin-Lead Over Nickel.
5. Operating Life : 750 Cycles Min.
6. Pcb Retention Pre-Solder : 1 Lb Min.
7. Pcb Retention Post-Solder : 10 Lbs Min.

Environmental:

1. Storage : -40°c To+85°c.
2. Operation : 0°c To+70°c.

Mates With Modular Plug Conforming To Fcc Part 68, Subpart F.

Part Number: E5TAB-0BVYXX

0-W/O LOGO Gold Plating:
 1-3u" 2-6u" 3-15u"
 1-W/F LOGO 4-30u" 5-50u"

DETACHED LISTS	MM (INCH)	DFTO YJL	DATE 03/28/05
	TOLERANCES EXCEPT AS NOTED	CHKDLJUXIN	DATE 2005/4/13
		MFO	DATE
		APPVLLUSHENG	DATE 2005/4/13
	MM ±0.20 ±		
	.00 ±0.15 ±		
	.000 ±0.075 ±		
	ANGLES ±	QT'Y :	
	THIRD ANGLE PROJECTION	FINISH :	
		SCALE : 5:2	

FULL RISE ELECTRONIC CO., LTD			
TITLE, Tr's PCB JACK(W/O Shield)			
DRAWING NO. GE513244		SIZE A3	REV 0 04/12/05
/PART NO. SEE NOTE		DO NOT SCALE DRAWING SHEET X OF Y	