

**SPECIFICATIONS**

**Modular Jack**

**Mechanical**

**Mating Force:** 4Pounds Max.  
**Unmating Force:** 4Pounds Max.  
**Durability:** 1000 Cycles

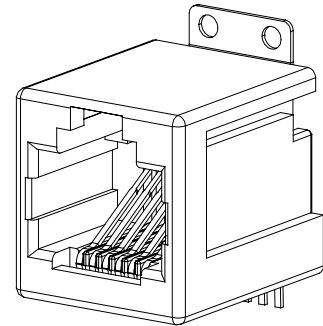
**Electrical**

**Current Rating:** 1.5A Max.  
**Voltage Rating:** 150 VAC  
**Dielectric Withstanding Voltage:** 1000V Contact To Contact

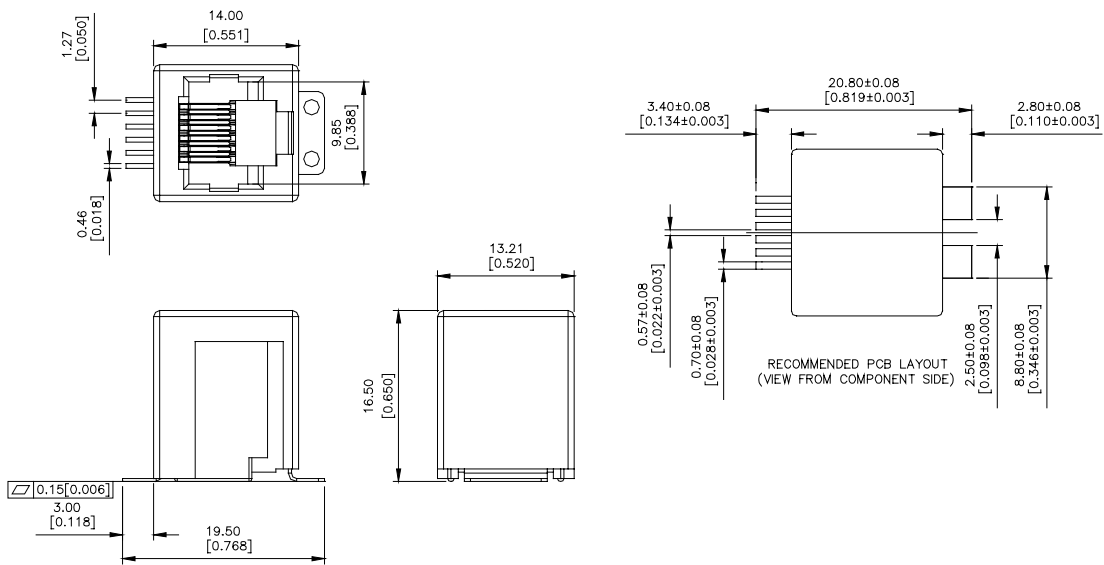
**Physical**

**Housing:** Thermoplastic, UL 94V-0 Rated In Black Color  
**Contact:** Copper Alloy  
**Pad:** Steel Strip  
**Operating Temperature:** 0 to +70

**JM SERIES  
 RJ11 SMT CONNECTOR  
 VERTICAL ALL PLASTIC  
 1.27mm [.050"] Pitch**



**DRAWING**



**ORDERING INFORMATION**

PRODUCT NO.: JM 8 4 3 1 5 - KM03 - 7 F

- JM = MODULE JACK
- 8 = S/T, ALL PLASTIC, SMT
- 4 = W/O PANEL-GND TBA, W/O BOARD-LOCK
- 3 = 6P6C
- 1 = SINGLE PORT
- 5 = 50u" GOLD PLATING THICKNESS
- KM03 = EXTENSION DODE MATTE TIN
- 7 = PACKAGE TYPE: TAPE REEL
- F = LEAD FREE