

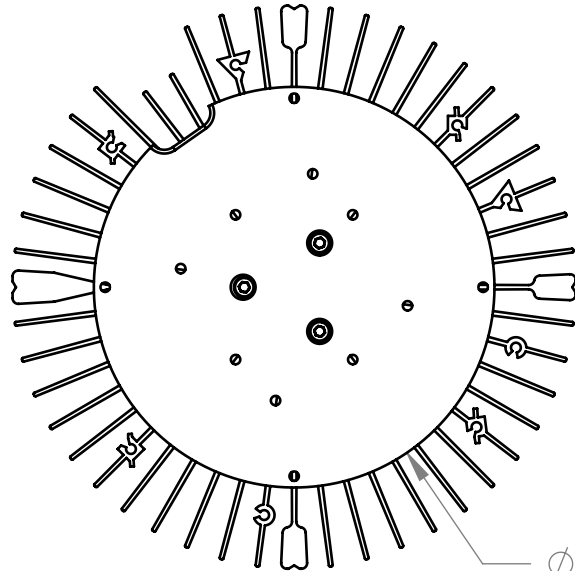
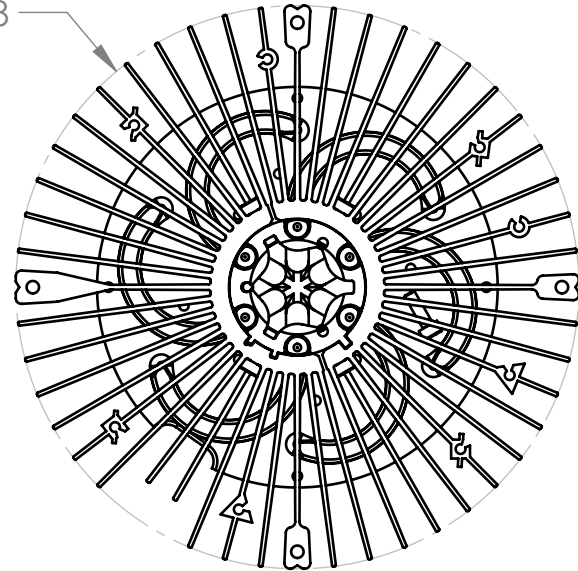
NOTES:

1. MATERIAL: ALUMINUM AND COPPER
2. BASE: NICKEL PLATED  
FINS: TBD
3. THE PART NUMBER, REVISION, AND DATE ARE MARKED IN THE AREA SHOWN.

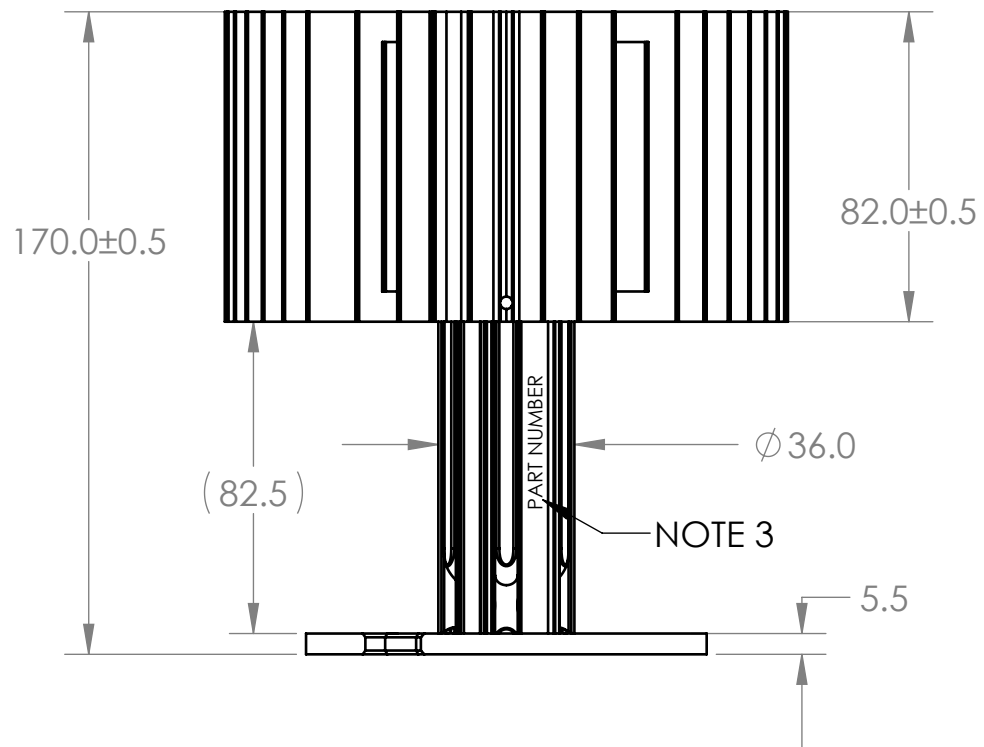
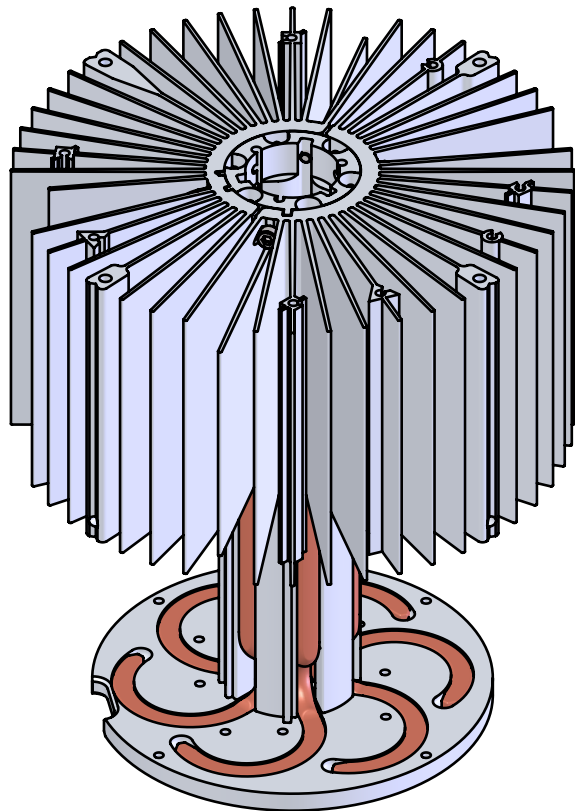
TABLE 1		
MARKETING PART NUMBER	MANUFACTURING/ ENGINEERING PART NUMBER	LED MODULES SUPPORTED
NX302105	090-00289-02	BRIDGELUX RS (HOLE A) BRIDGELUX BXRA-5 (HOLE B)

REV	DESCRIPTION	BY	APR	DATE
X01	INITIAL RELEASE FOR DDR	ASP		2012-09-17

Ø 149.0±0.8



Ø 106.0



**UNLESS OTHERWISE SPECIFIED:**  
 -ALL DIMENSIONS IN MILLIMETERS  
 -DRAFT ANGLES TO BE 3 DEGREES  
 -DIMENSIONS INCLUDE PLATING

TOLERANCES: .X: ± 0.2  
 .XX: ± 0.1  
 ANGLES: ±0.5°

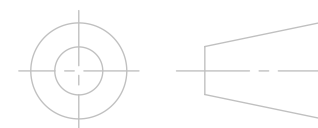
MATERIAL N/A  
 FINISH N/A  
 DO NOT SCALE DRAWING

SIZE  
**B**

	NAME	DATE
DRAWN	ASP	2012-9-17
CHECKED	A	
ENG APPR.	A	



**THIRD ANGLE PROJECTION**



TITLE:  
**Heat Sink Assembly,  
 High Bay 150W**

DWG. NO.  
**NX302105**

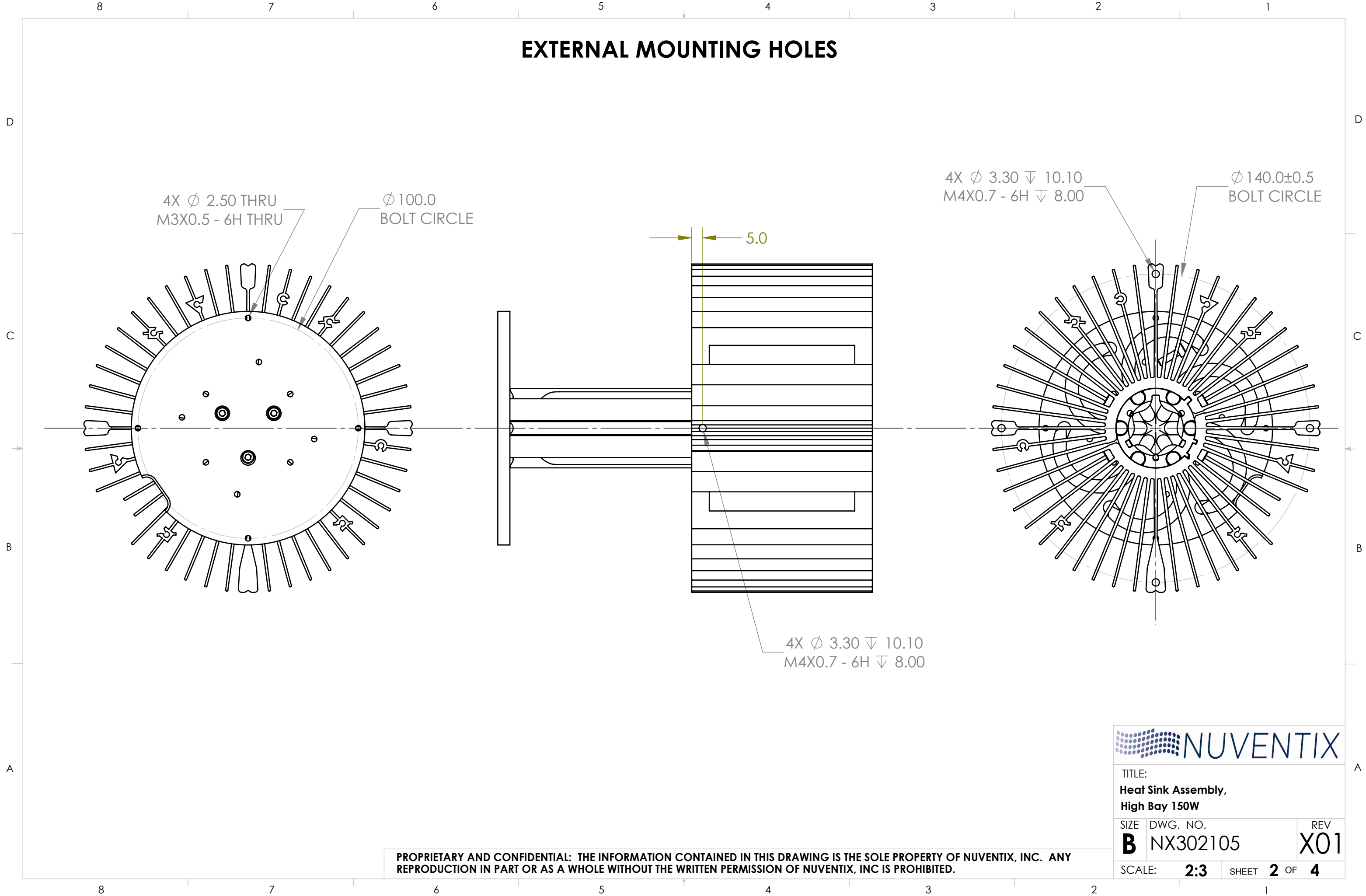
REV  
**X01**

SCALE: **1:2**


SHEET **1** OF **4**

PROPRIETARY AND CONFIDENTIAL: THE INFORMATION CONTAINED IN THIS DRAWING IS THE SOLE PROPERTY OF NUVENTIX, INC. ANY REPRODUCTION IN PART OR AS A WHOLE WITHOUT THE WRITTEN PERMISSION OF NUVENTIX, INC IS PROHIBITED.

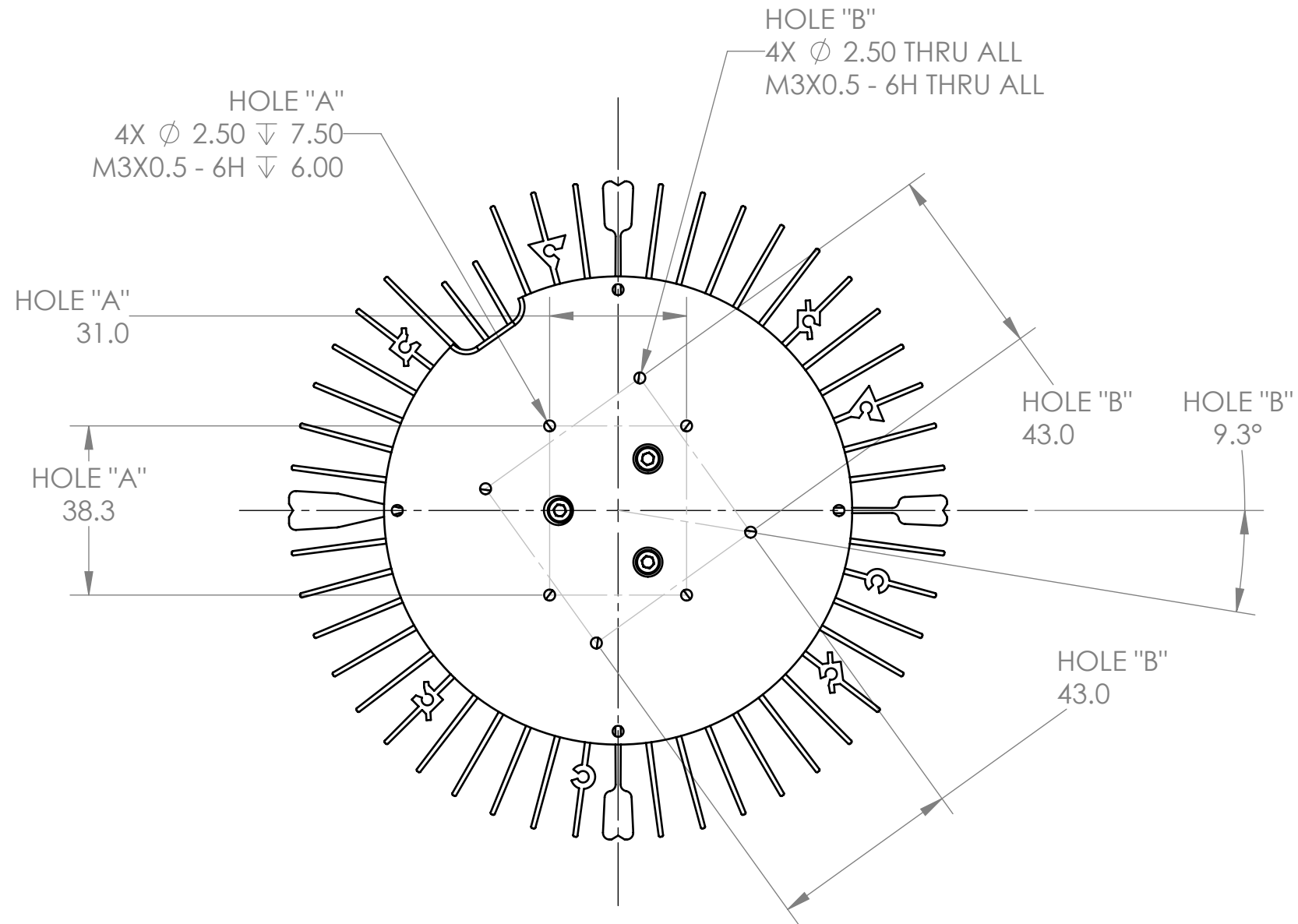
# EXTERNAL MOUNTING HOLES



PROPRIETARY AND CONFIDENTIAL: THE INFORMATION CONTAINED IN THIS DRAWING IS THE SOLE PROPERTY OF NUVENTIX, INC. ANY REPRODUCTION IN PART OR AS A WHOLE WITHOUT THE WRITTEN PERMISSION OF NUVENTIX, INC IS PROHIBITED.

		
TITLE: <b>Heat Sink Assembly,          High Bay 150W</b>		
SIZE	DWG. NO.	REV
<b>B</b>	<b>NX302105</b>	<b>X01</b>
SCALE:	<b>2:3</b>	SHEET <b>2</b> OF <b>4</b>

# LED MOUNTING HOLES



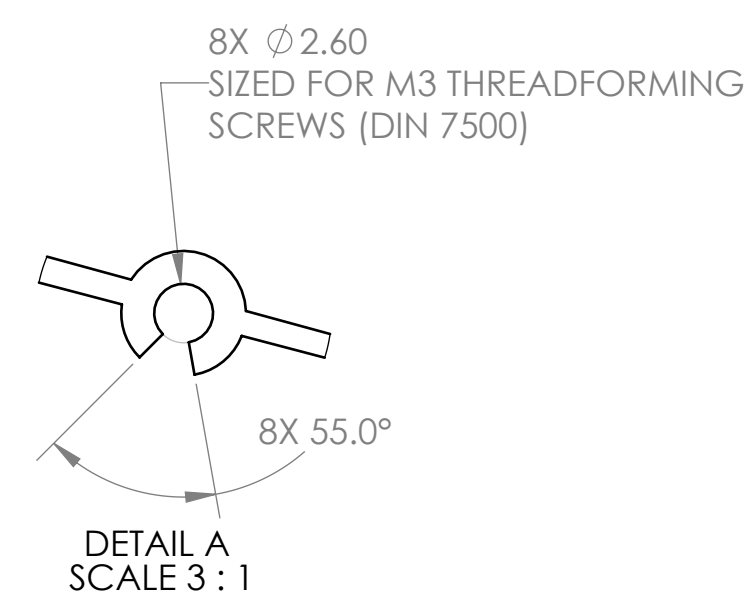
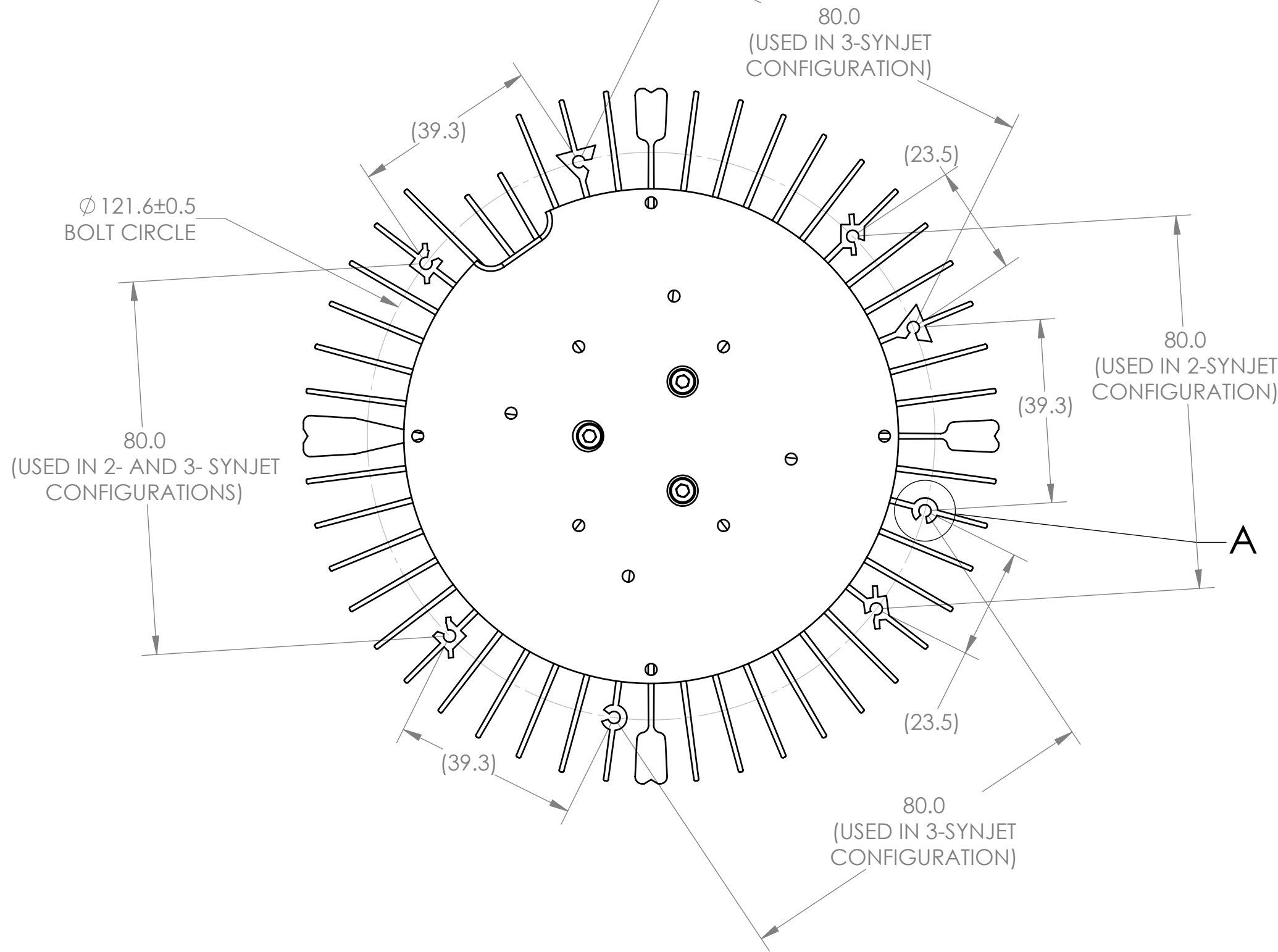
TITLE:  
**Heat Sink Assembly,  
 High Bay 150W**

SIZE	DWG. NO.	REV
<b>B</b>	<b>NX302105</b>	<b>X01</b>

SCALE: **3:4** SHEET **3** OF **4**

PROPRIETARY AND CONFIDENTIAL: THE INFORMATION CONTAINED IN THIS DRAWING IS THE SOLE PROPERTY OF NUVENTIX, INC. ANY REPRODUCTION IN PART OR AS A WHOLE WITHOUT THE WRITTEN PERMISSION OF NUVENTIX, INC IS PROHIBITED.

# SYNJET MOUNTING HOLES



PROPRIETARY AND CONFIDENTIAL: THE INFORMATION CONTAINED IN THIS DRAWING IS THE SOLE PROPERTY OF NUVENTIX, INC. ANY REPRODUCTION IN PART OR AS A WHOLE WITHOUT THE WRITTEN PERMISSION OF NUVENTIX, INC IS PROHIBITED.

TITLE: <b>Heat Sink Assembly,          High Bay 150W</b>		
SIZE	DWG. NO.	REV
<b>B</b>	<b>NX302105</b>	<b>X01</b>
SCALE:	<b>1:1</b>	SHEET <b>4</b> OF <b>4</b>