

Model P260/P261  
 12.7mm ( 1/2" ) Square  
 Rotary Potentiometer  
 Sealed or Dust Proof  
 Conductive Plastic Element  
 1,000,000 Cycle Life  
 Rotary Switch Option  
 Detent Option  
 Multiple Gangs available  
 Wire Lead Options  
 RoHS Compliant



### MODEL STYLES

Side Adjust, PCB Leads, Potentiometer Module (Up to 6 gangs)	P260P
Side Adjust, PCB Leads, with Rotary Switch Module (Up to 5 gangs)	P260S
Side Adjust, PCB Leads, with Detent Module (Up to 6 gangs)	P260D
Top Adjust, PCB Leads, Potentiometer Module (Up to 2 gangs)	P260T
Potentiometer Module with Wire Leads (Up to 6 gangs)	P260L
Potentiometer Module with Ribbon Cable (Up to 6 gangs)	P260R
Side Adjust, Solder Lug Leads, Potentiometer Module (Up to 6 gangs)	P261P
Side Adjust, Solder Lug Leads, with Rotary Switch Module (Up to 5 gangs)	P261S
Side Adjust, Solder Lug Leads, with Detent Module (Up to 6 gangs)	P261D

### ELECTRICAL<sup>1</sup>

Resistance Range, Ohms	500 -1M (for "B" taper) 2K-1M (for other tapers)
Standard Resistance Tolerance	± 10%
Residual Resistance, Maximum	2 ohms
Input Voltage, Maximum	350 Vac
Power rating, Watts	0.5W- B taper, 0.25W- others
Dielectric Strength	1,500Vac, sea level
Insulation Resistance, Minimum	1,000 Megohms
Gang Error (Multi-ganged), Maximum	+/-3 dB (-40 dB to 0dB)
Actual Electrical Travel, Nominal	265°
Switch Contact Resistance, Maximum	150 milliohms max.
Switch Power Rated	0.5A at 30Vdc

<sup>1</sup> Specifications subject to change without notice.

# Model P260/P261

## MECHANICAL

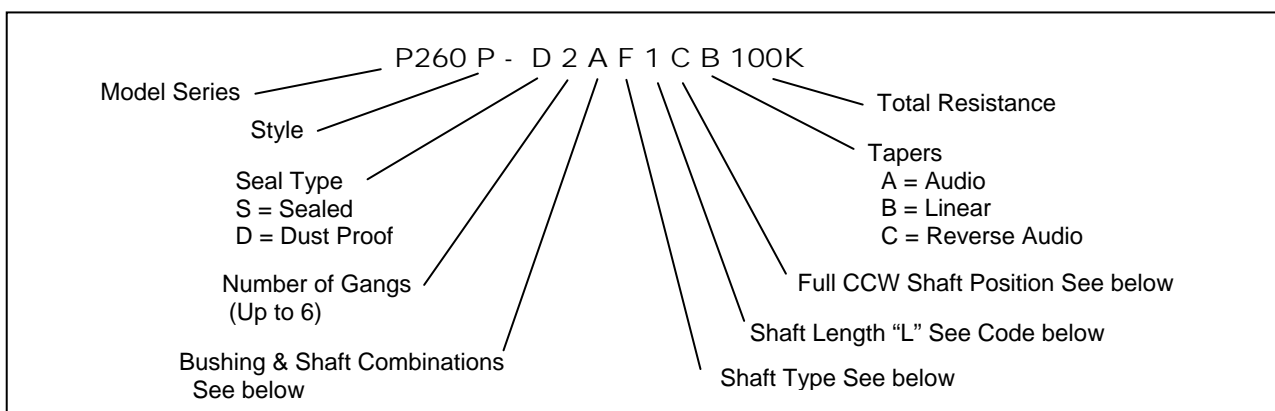
Total Mechanical Travel	295°± 10°
Static Stop Strength	40 oz-in
Rotational Torque, Maximum	1.5 oz-in ( 0.5 oz-in each additional gang)
Switch Detent, Minimum	2.0 oz-in

## ENVIRONMENTAL

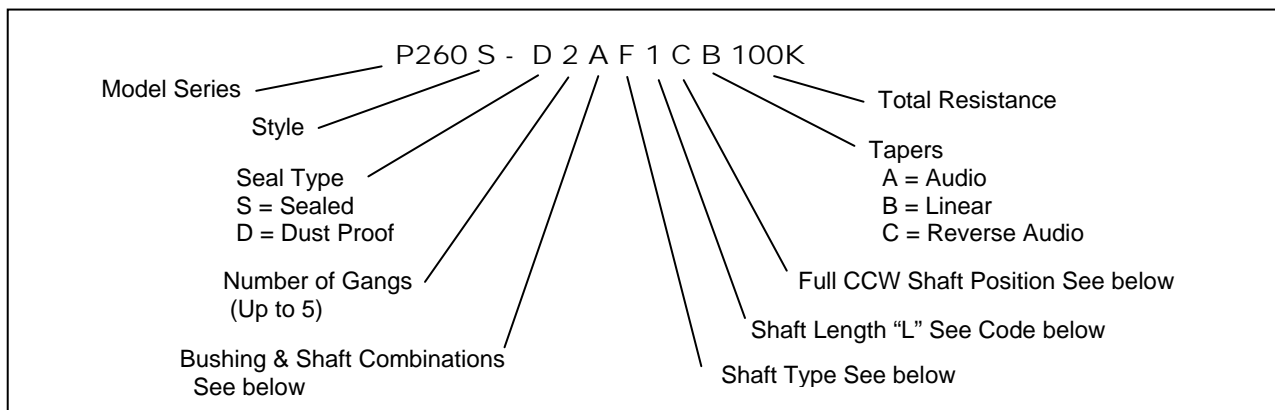
Operating Temperature Range	-55°C to +125°C
Rotational Life	1,000,000 cycles
IP Rating	Sealed = IP66 Dust Proof = IP50

## ORDERING INFORMATION<sup>2</sup>

### P260P/P261P – POTENTIOMETER MODULE



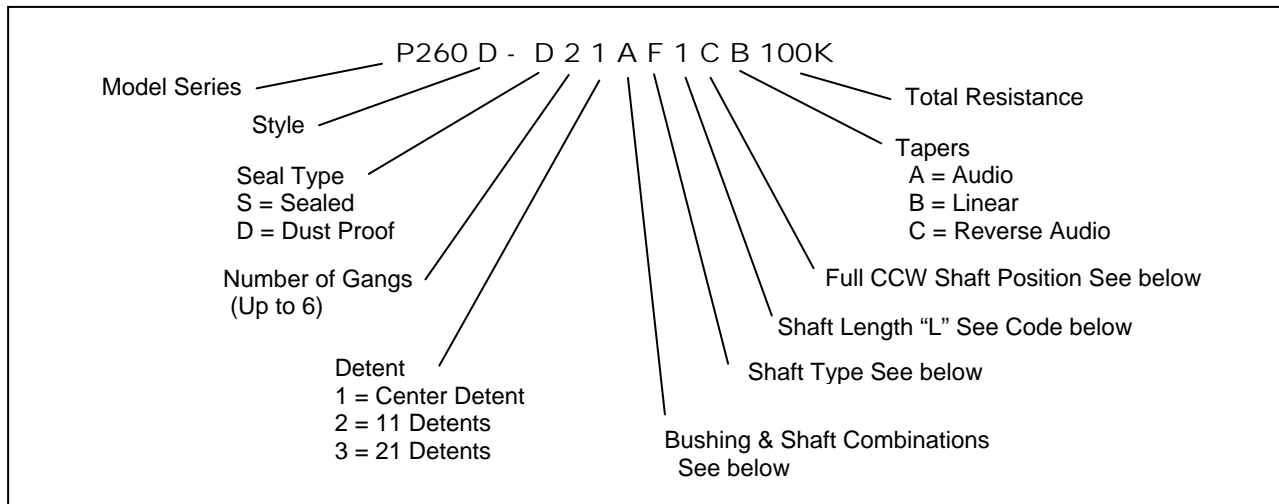
### P260S/P261S – WITH ROTARY SWITCH MODULE



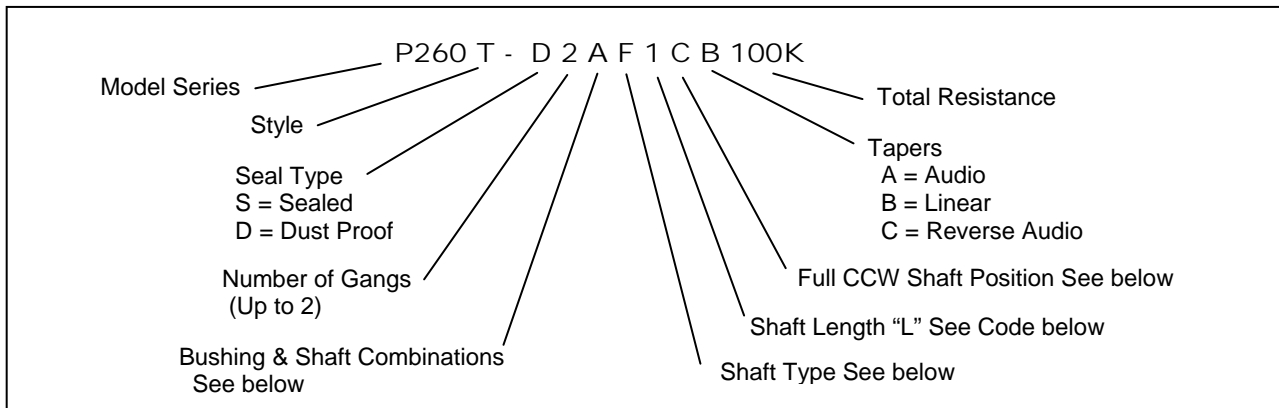
<sup>2</sup> Contact our customer service for custom designs and features.

# Model P260/P261

## P260D/P261D - WITH DETENT MODULE



## P260T - TOP ADJUST, POTENTIOMETER MODULE



### Bushing & Shaft Combinations

CODE	BUSHING SIZE	BUSHING LENGTH "M"	SHAFT $\phi$
A	6.35mm (1/4")	6.35mm (1/4")	3.2mm (1/8")
B	9.5mm (3/8")	9.5mm (3/8")	6.35mm (1/4")

# Model P260/P261

## Shaft Type and Shaft Length "L" Code For 3.2mm (1/8")

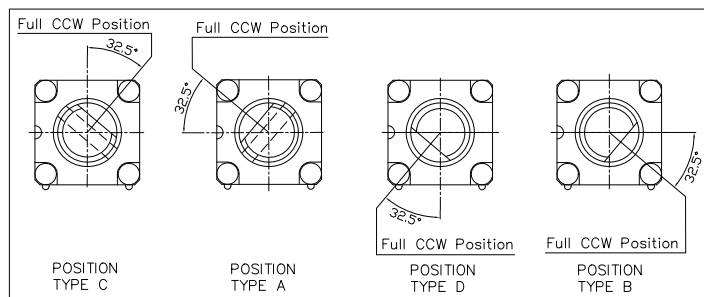
S-TYPE							F-TYPE						
L	12	16	20	24	28	32	L	12	16	20	24	28	32
CODE	1	2	3	4	5	6	T	4	5	8	8	8	10
CODE	1	2	3	4	5	6	CODE	1	2	3	4	5	6

## Shaft Type and Shaft Length "L" Code For 6.35mm (1/4")

S-TYPE							F-TYPE				
L	12	16	20	24	28	32	L	20	24	28	32
CODE	1	2	3	4	5	6	T	8	8	12	12
CODE	1	2	3	4	5	6	CODE	3	4	5	6

### Shaft Position (F-Type Shaft)

Dashed lines on Type "C" and Type "A" shows position of adjustment slot for S-Type



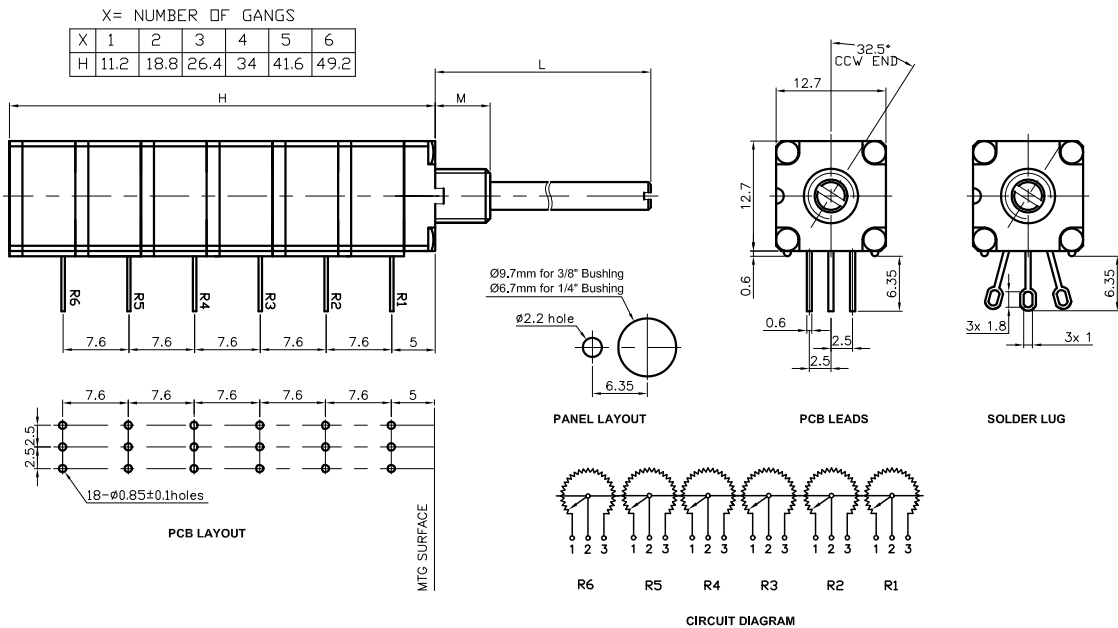
## STANDARD RESISTANCE VALUES, OHMS

500	1K	2K	5K	10K	20K	50K	100K	200K	500K	1MEG
-----	----	----	----	-----	-----	-----	------	------	------	------

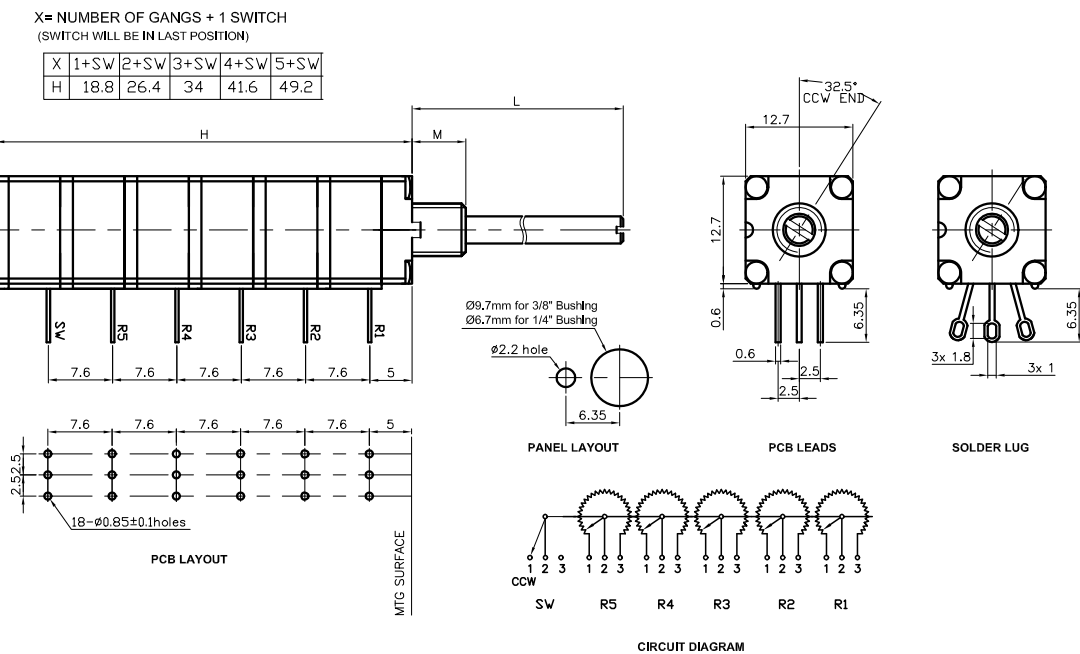
# Model P260/P261

## OUTLINE DRAWING

### P260P/P261P - POTENTIOMETER MODULE

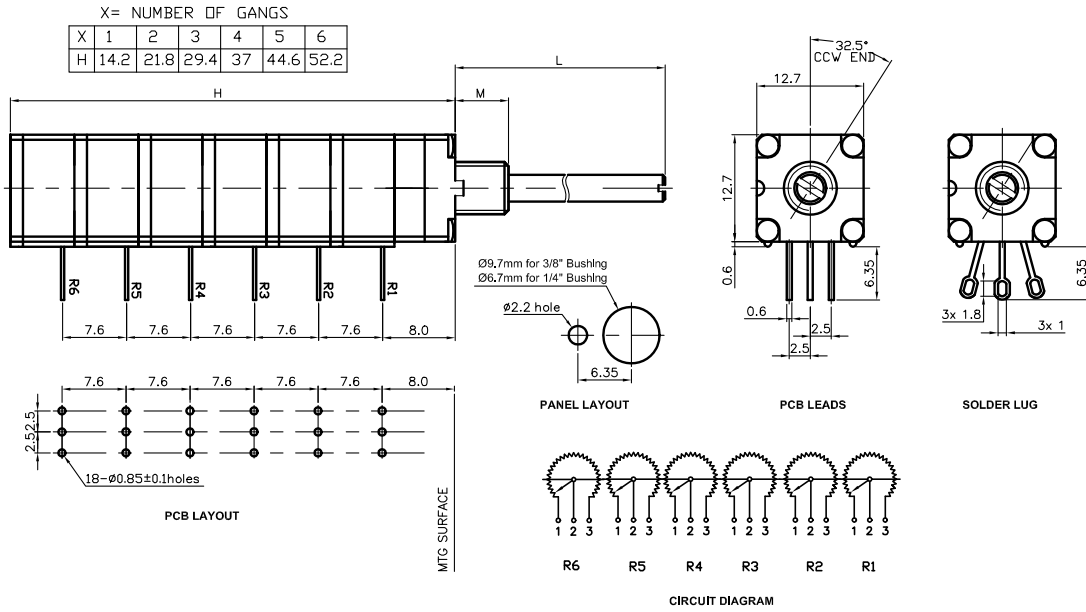


### P260S/P261S - WITH ROTARY SWITCH MODULE

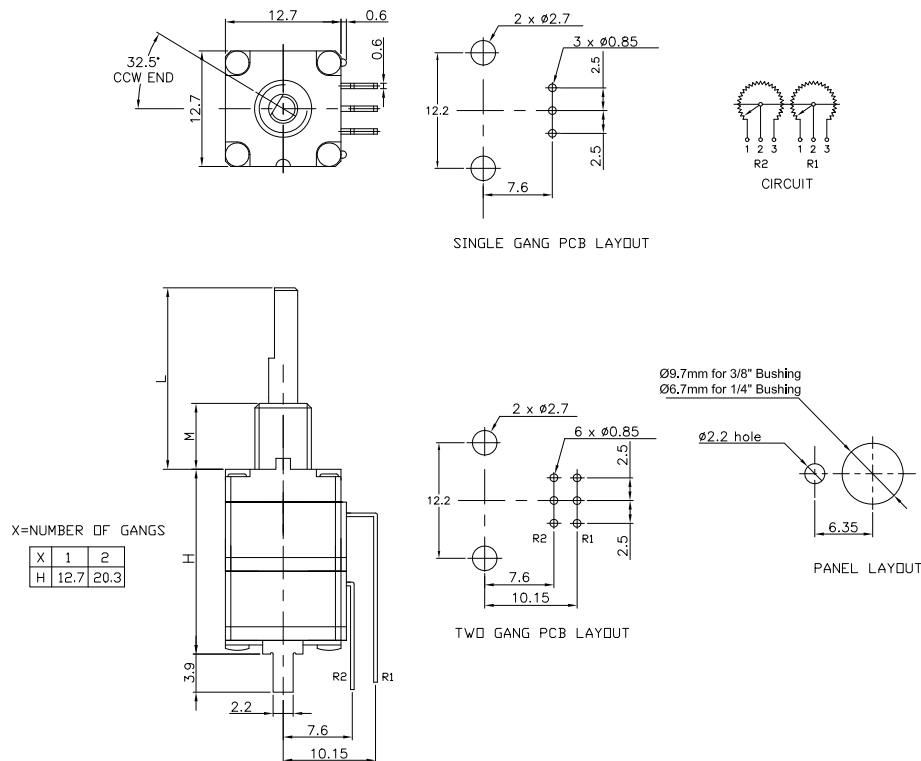


# Model P260/P261

## P260D/P261D - WITH DETENT MODULE



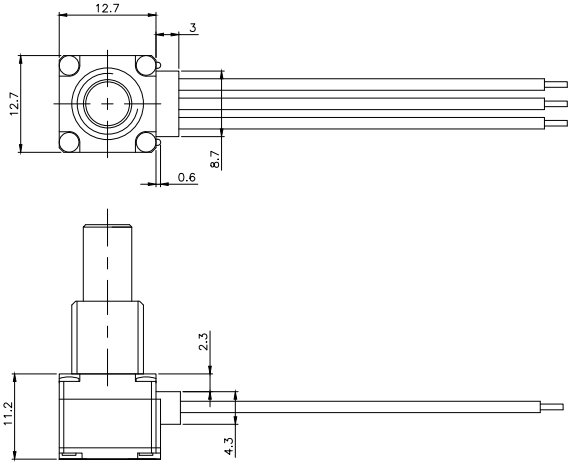
## P260T - TOP ADJUST, POTENTIOMETER MODULE



# Model P260/P261

## P260L - WITH WIRE LEADS

Consult factory for details and options



## P260R - WITH RIBBON TYPE CABLE

Consult factory for details and options

