

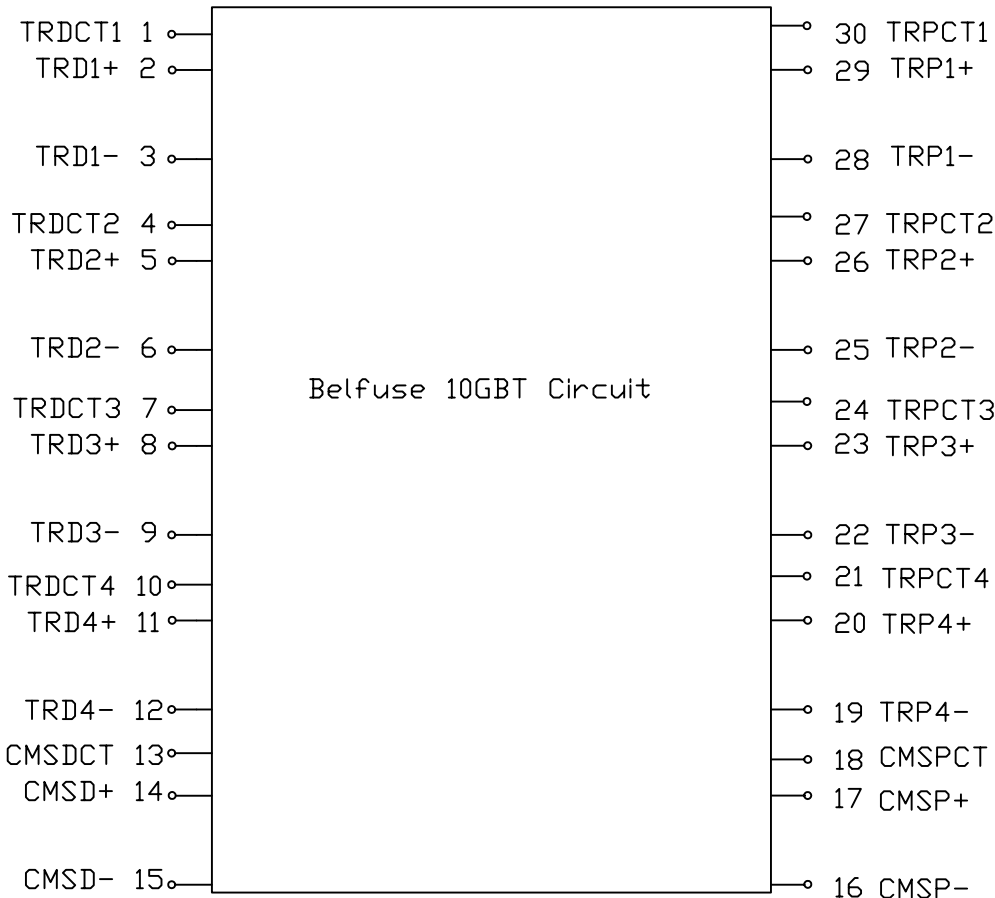
THE INFORMATION CONTAINED HEREIN IS CONSIDERED "PROPRIETARY" TO BEL FUSE INC. AND SHALL NOT BE COPIED, REPRODUCED OR DISCLOSED WITHOUT THE WRITTEN APPROVAL OF BEL FUSE INC.

PRELIMINARY



SCHEMATIC

ELECTRICAL SPECIFICATION @25°C



URNS RATIO

(2-1-3) : (29-30-29) 1CT : 1CT
 (5-4-6) : (26-27-25) 1CT : 1CT
 (8-7-9) : (23-24-22) 1CT : 1CT
 (11-10-12) : (20-21-19) 1CT : 1CT
 (14-13-15) : (17-18-16) 1CT : 1CT

DCL (16-17) 80uH MIN.

POLARITY 2°&29°, 5°&26°
 8°&23°, 11°&20°, 14°&17°

INSERTION LOSS

FREQ(MHz)	1	2-300	400	500
dB MAX	0.3	1.0	1.5	2.0

RETURN LOSS

FREQ(MHz)	1	2-300	400	500	600
dB MIN	18	20	15	12	9

CM TO DM REJECTION RATIO

FREQ(MHz)	50	100	200	300	400	500
dB MIN	48	42	36	33	30	28

CM TO CM REJECTION RATIO

FREQ(MHz)	50	100	200	300	400	500
dB MIN	30	27	24	22	21	20

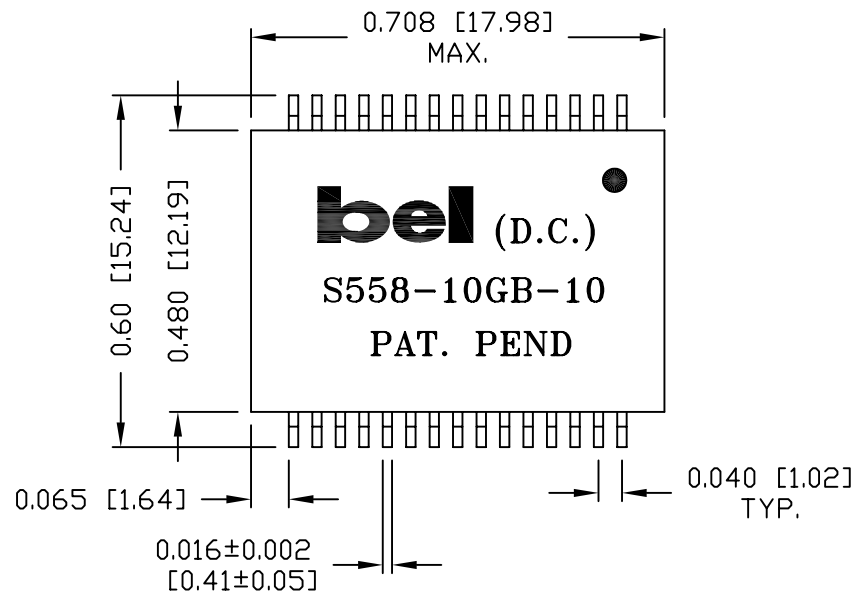
HIPOT 1500Vrms

ORIGINATED BY	DATE	TITLE	PART NO. / DRAWING NO.	STANDARD DIM. TOL. IN INCH	[] METRIC DIM. AS REFERENCE
CH CHAN	09-09-09	ELECTRICAL SPECIFICATION	S558-10GB-10	.X	UNIT : INCH [mm] REV. : PB
DRAWN BY	DATE		FILE NAME	.XX	SCALE : N/A SIZE : A4
XJ WANG	09-09-09		S55810GB10PB.DWG	.XXX	⊕ PAGE : 2

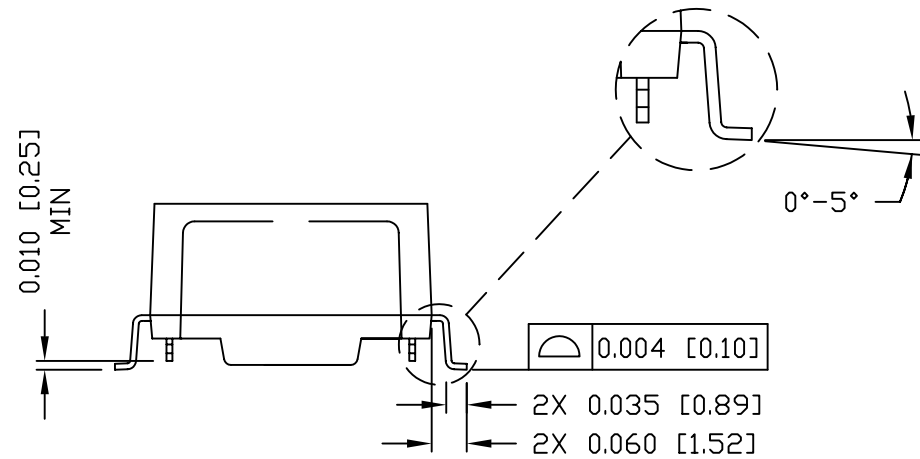
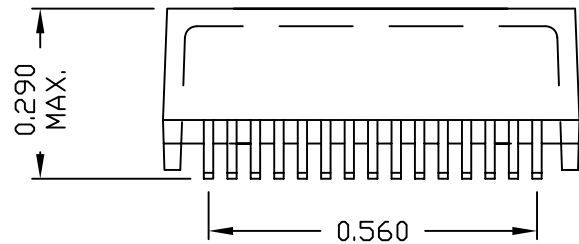
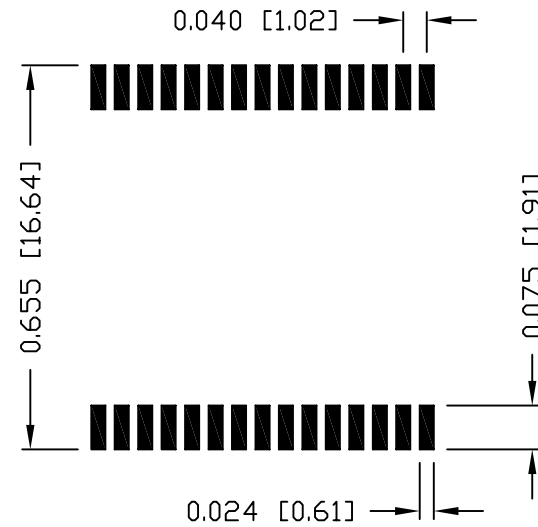


THE INFORMATION CONTAINED HEREIN IS CONSIDERED "PROPRIETARY" TO BEL FUSE INC. AND SHALL NOT BE COPIED, REPRODUCED OR DISCLOSED WITHOUT THE WRITTEN APPROVAL OF BEL FUSE INC.

PRELIMINARY



SUGGESTED PCB PAD LAYOUT



NOTES:

- STANDARD MARKING REFER TO DOC. HAND-WORK-04.
- PACKAGE CODE: "QACS001".

ORIGINATED BY	DATE	TITLE	PART NO. / DRAWING NO.	STANDARD DIM. TOL. IN INCH	[] METRIC DIM. AS REFERENCE	 COMPONENTS FOR A CONNECTED PLANET	
Shi Weixing	09-09-09	MECHANICAL SPECIFICATION	S558-10GB-10	.X	UNIT : INCH [mm]		REV. : PB
DRAWN BY	DATE		FILE NAME	.XX ±0.01	SCALE : N/A		SIZE : A4
XJ WANG	09-09-09		S55810GB10PB.DWG	.XXX ±0.005			PAGE : 3

DC002(2)051509

This document is electronically generated. This is a controlled copy if used internally