

# 8-Bit $\mu$ p-compatible D/A converter

NE/SE5018/5019

## DESCRIPTION

The NE/SE5018/19 is a complete 8-bit digital-to-analog converter subsystem on one monolithic chip. The data inputs have input latches which are controlled by a latch enable pin. The data and latch enable inputs are ultra-low loading for easy interfacing with all logic systems. The latches appear transparent when the  $\overline{LE}$  input is in the low state. When  $\overline{LE}$  goes high, the input data present at the moment of transition is latched and retained until  $\overline{LE}$  again goes low. This feature allows easy compatibility with most microprocessors.

The chip also comprises a stable voltage reference (5V nominal) and high slew rate buffer amplifier. The voltage reference may be externally trimmed with a potentiometer for easy adjustment of full-scale while maintaining a low temperature coefficient.

The output of the buffer amplifier may be offset so as to provide bipolar as well as unipolar operation.

## FEATURES

- 8-bit resolution
- Input latches
- Low-loading data inputs
- On-chip voltage reference
- Output buffer amplifier
- Accurate to  $\pm$  LSB (0.19%)
- Monotonic to 8 bits
- Amplifier and reference both short-circuit protected
- Compatible with 8085, 6800 and many other  $\mu$ Ps

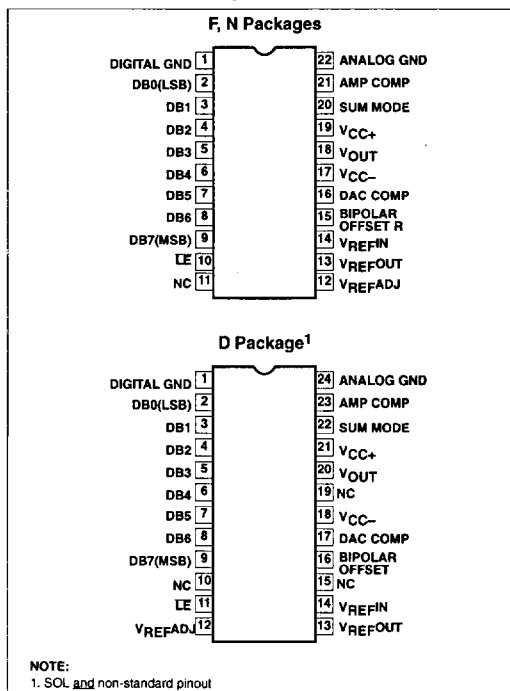
## APPLICATIONS

- Precision 8-bit D/A converters
- A/D converters
- Programmable power supplies
- Test equipment
- Measuring instruments
- Analog-digital multiplication

## ORDERING INFORMATION

DESCRIPTION	TEMPERATURE RANGE	ORDER CODE	DWG #
22-Pin Ceramic Dual In-Line Package (CERDIP)	0 to +70°C	NE5018/5019F	0585B
22-Pin Ceramic Dual In-Line Package (CERDIP)	-55°C to +125°C	SE5018/5019F	0585B
22-Pin Plastic Dual In-Line Package (DIP)	0 to +70°C	NE5018/5019N	0409B
22-Pin Plastic Dual In-Line Package (DIP)	-55°C to +125°C	SE5018/5019N	0409B
24-Pin Small Outline Large (SOL) Package	0 to +70°C	NE5018/5019D	0173D

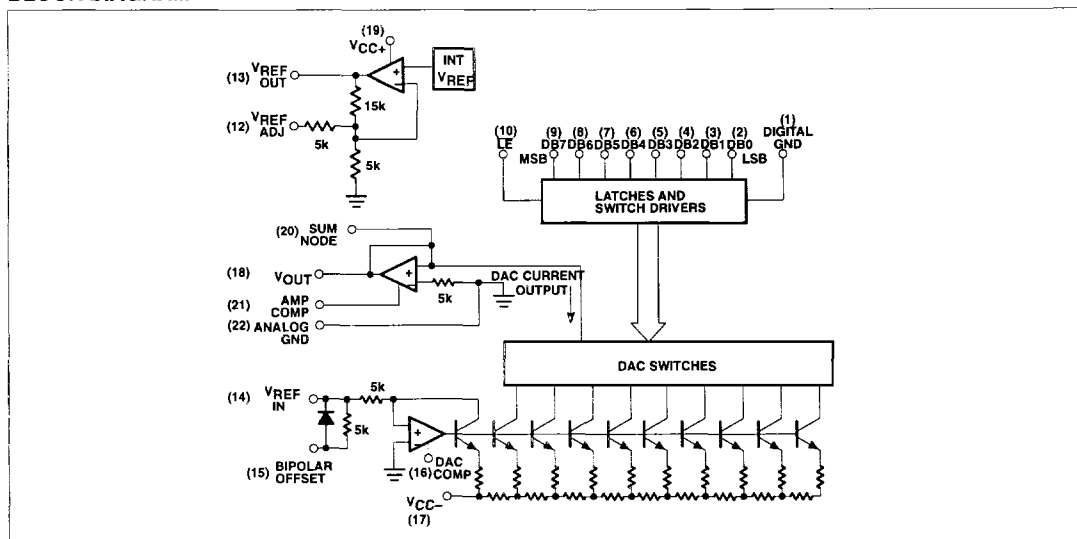
## PIN CONFIGURATIONS



# 8-Bit $\mu$ p-compatible D/A converter

NE/SE5018/5019

## BLOCK DIAGRAM



## ABSOLUTE MAXIMUM RATINGS

SYMBOL	PARAMETER	RATING	UNIT
$V_{CC+}$	Positive supply voltage	18	V
$V_{CC-}$	Negative supply voltage	-18	V
$V_{IN}$	Logic input voltage	0 to 18	V
$V_{REF IN}$	Voltage at $V_{REF IN}$ input	12	V
$V_{REF ADJ}$	Voltage at $V_{REF ADJ}$	0 to $V_{REF}$	V
$V_{SUM}$	Voltage at sum node	12	V
$I_{REF SC}$	Short-circuit current to ground at $V_{REF OUT}$	Continuous	
$I_{OUT SC}$	Short-circuit current to ground or either supply at $V_{OUT}$	Continuous	
$P_D$	Maximum power dissipation, $T_A=25^\circ\text{C}$ (still-air) <sup>1</sup>		
	F package	1740	mW
	N package	2190	mW
	D package	1600	mW
$T_A$	Operating temperature range		
	SE5018	-55 to +125	$^\circ\text{C}$
	NE5018	0 to +70	$^\circ\text{C}$
$T_{STG}$	Storage temperature range	-65 to +150	$^\circ\text{C}$
$T_{SOLD}$	Lead soldering temperature (10 seconds)	300	$^\circ\text{C}$

### NOTES:

- Derate above  $25^\circ\text{C}$  at the following rates:  
 F package at  $13.9\text{mW}/^\circ\text{C}$   
 N package at  $17.5\text{mW}/^\circ\text{C}$   
 D package at  $12.8\text{mW}/^\circ\text{C}$

8-Bit  $\mu$ p-compatible D/A converter

NE/SE5018/5019

## DC ELECTRICAL CHARACTERISTICS

 $V_{CC+}=+15V$ ,  $V_{CC-}=-15V$ , SE5018.  $-55^{\circ}C \leq T_A \leq 125^{\circ}C$ , NE5018.  $0^{\circ}C \leq T_A \leq 70^{\circ}C$ , unless otherwise specified. <sup>1</sup> Typical values are specified at  $25^{\circ}C$ .

SYMBOL	PARAMETER	TEST CONDITIONS	NE/SE5018			NE/SE5019			UNIT
			Min	Typ	Max	Min	Typ	Max	
	Resolution		8	8	8	8	8	8	Bits
	Monotonicity		8	8	8	8	8	8	Bits
	Relative accuracy				$\pm 0.19$			$\pm 0.1$	%FS
$V_{CC+}$	Positive supply voltage		11.4	15		11.4	15		V
$V_{CC-}$	Negative supply voltage		-11.4	-15		-11.4	-15		V
$V_{IN(1)}$	Logic "1" input voltage	Pin 1=0V	2.0			2.0			V
$V_{IN(0)}$	Logic "0" input voltage	Pin 1=0V			0.8			0.8	V
$I_{IN(1)}$	Logic "1" input current	Pin 1=0V, $2V < V_{IN} < 18V$		0.1	10		0.1	10	$\mu A$
$I_{IN(0)}$	Logic "0" input current	Pin 1=0V, $-5V < V_{IN} < 0.8V$		-2.0	-10		-2.0	-10	$\mu A$
$V_{FS}$	Full-scale output	Unipolar mode, $V_{REF}=5.000V$ , all bits high, $T_A=25^{\circ}C$	9.50		10.5	9.50		10.5	V
$+V_{FS}$	Full-scale output	Bipolar mode, $V_{REF}=5.000V$ all bits high, $T_A=25^{\circ}C$	4.75		5.25	4.75		5.25	V
$-V_{FS}$	Negative full scale	Bipolar mode, $V_{REF}=5.000V$ , all bits low, $T_A=25^{\circ}C$	-5.25		-4.75	-5.25		-4.75	V
$V_{ZS}$	Zero-scale Output	Unipolar mode, $V_{REF}=5.000V$ all bits low, $T_A=25^{\circ}C$	-30		+30	-30		+30	mV
$I_{OS}$	Output short circuit current	$T_A=25^{\circ}C$ $V_{OUT}=0V$		15	40		15	40	mA
$PSR_{+(OUT)}$	Output power supply rejection (+)	$V_{-}=-15V$ , $13.5V \leq V_{+} \leq 16.5V$ , external $V_{REF IN}=5.000V$		0.001	0.01		0.001	0.01	%FS %VS
$PSR_{-(OUT)}$	Output power supply rejection (-)	$V_{+}=-15V$ , $-13.5V \leq V_{-} \leq -16.5V$ , external $V_{REF IN}=5.000V$		0.001	0.01		0.001	0.01	%FS %VS
$TC_{FS}$	Full-scale temperature coefficient	$V_{REF IN}=5.000V$		20			20		ppm/ $^{\circ}C$
$TC_{ZS}$	Zero-scale temperature coefficient			5			5		ppm/ $^{\circ}C$
$I_{REF}$	Reference output current				3			3	mA
$I_{REFSC}$	Reference short circuit current	$T_A=25^{\circ}C$ $V_{REF OUT}=0V$		15	30		15	30	mA
$PSR_{+(REF)}$	Reference power supply rejection (+)	$V_{-}=-15V$ , $13.5V \leq V_{+} \leq 16.5V$ , $I_{REF}=1.0mA$		0.003	0.01		0.003	0.01	%VR/%VS
$PSR_{-(REF)}$	Reference power supply rejection (-)	$V_{+}=-15V$ , $-13.5V \leq V_{-} \leq -16.5V$ .		0.003	0.01		0.003	0.01	%VR/%VS
$V_{REF}$	Reference voltage	$I_{REF}=1.0mA$ $T_A=25^{\circ}C$	4.9	5.0	5.25	4.9	5.0	5.25	V
$TC_{REF}$	Reference voltage temperature coefficient	$I_{REF}=1.0mA$		60			60		ppm/ $^{\circ}C$
$Z_{IN}$	DAC $V_{REF IN}$ input impedance	$I_{REF}=1.0mA$ , $T_A=25^{\circ}C$	4.15	5.0	5.85	4.15	5.0	5.85	k $\Omega$
$I_{CC+}$	Positive supply current	$V_{CC+}=15V$		7	14		7	14	mA
$I_{CC-}$	Negative supply current	$V_{CC-}=-15V$		-10	-15		-10	-15	mA
$P_D$	Power dissipation	$I_{REF}=1.0mA$ , $V_{CC}=\pm 15V$		255	435		255	435	mW

## NOTES:

1. Refer to Figure 1.





8-Bit  $\mu$ p-compatible D/A converter

NE/SE5018/5019

