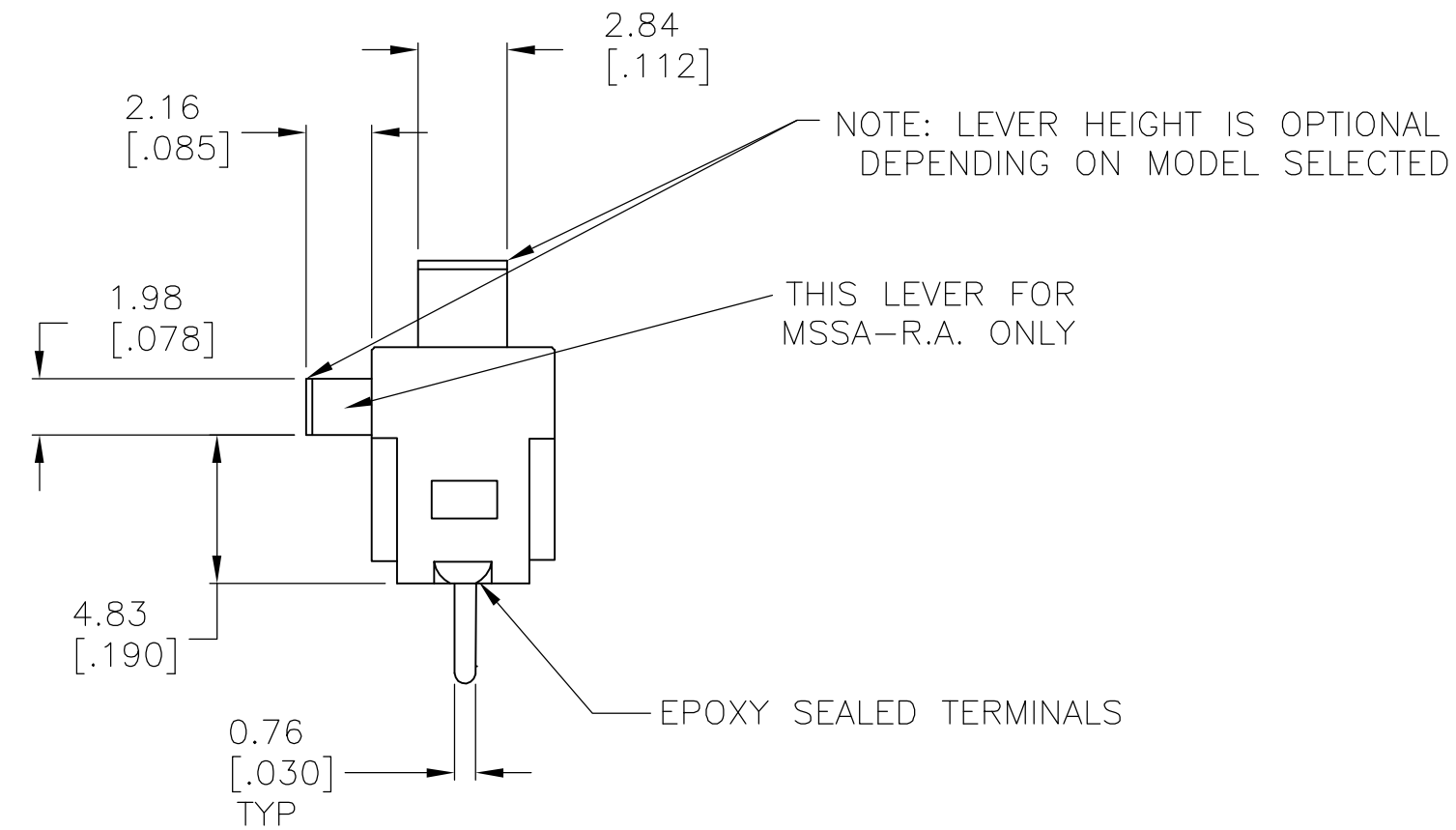
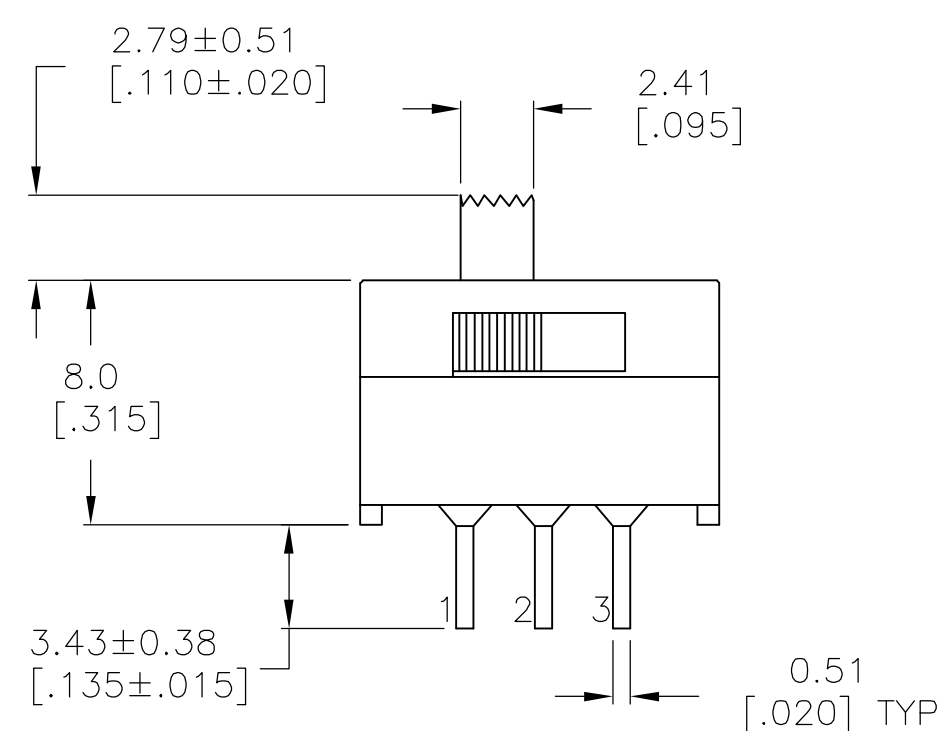
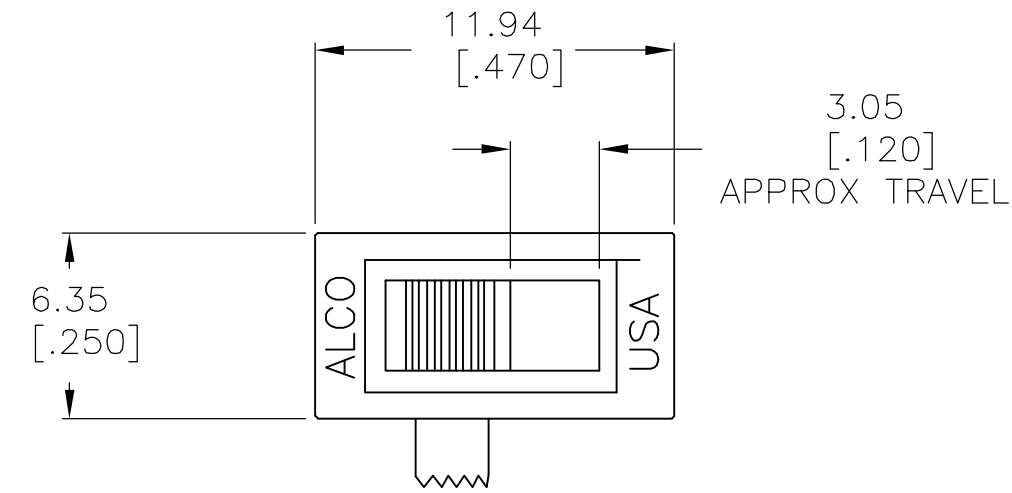


THIS DRAWING IS UNPUBLISHED. RELEASED FOR PUBLICATION
 © COPYRIGHT BY TYCO ELECTRONICS CORPORATION. ALL RIGHTS RESERVED.

Loc	DIST	REVISIONS					
		P	LTR	DESCRIPTION	DATE	DWN	APVD
AD	00	B1		REVISED PER ECO-05-009527	16MAY06	GS	MS



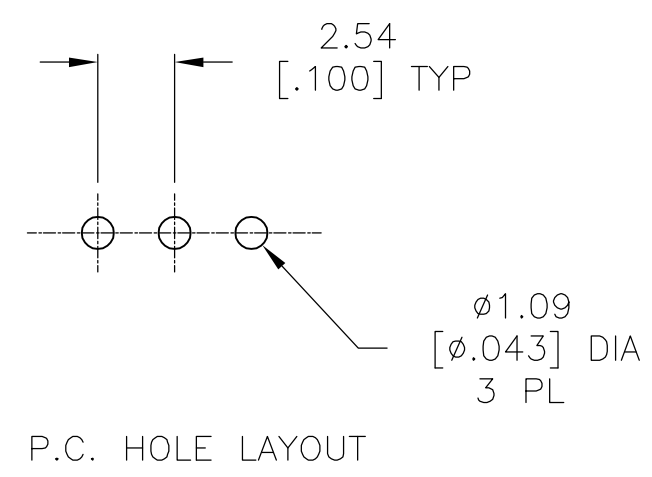
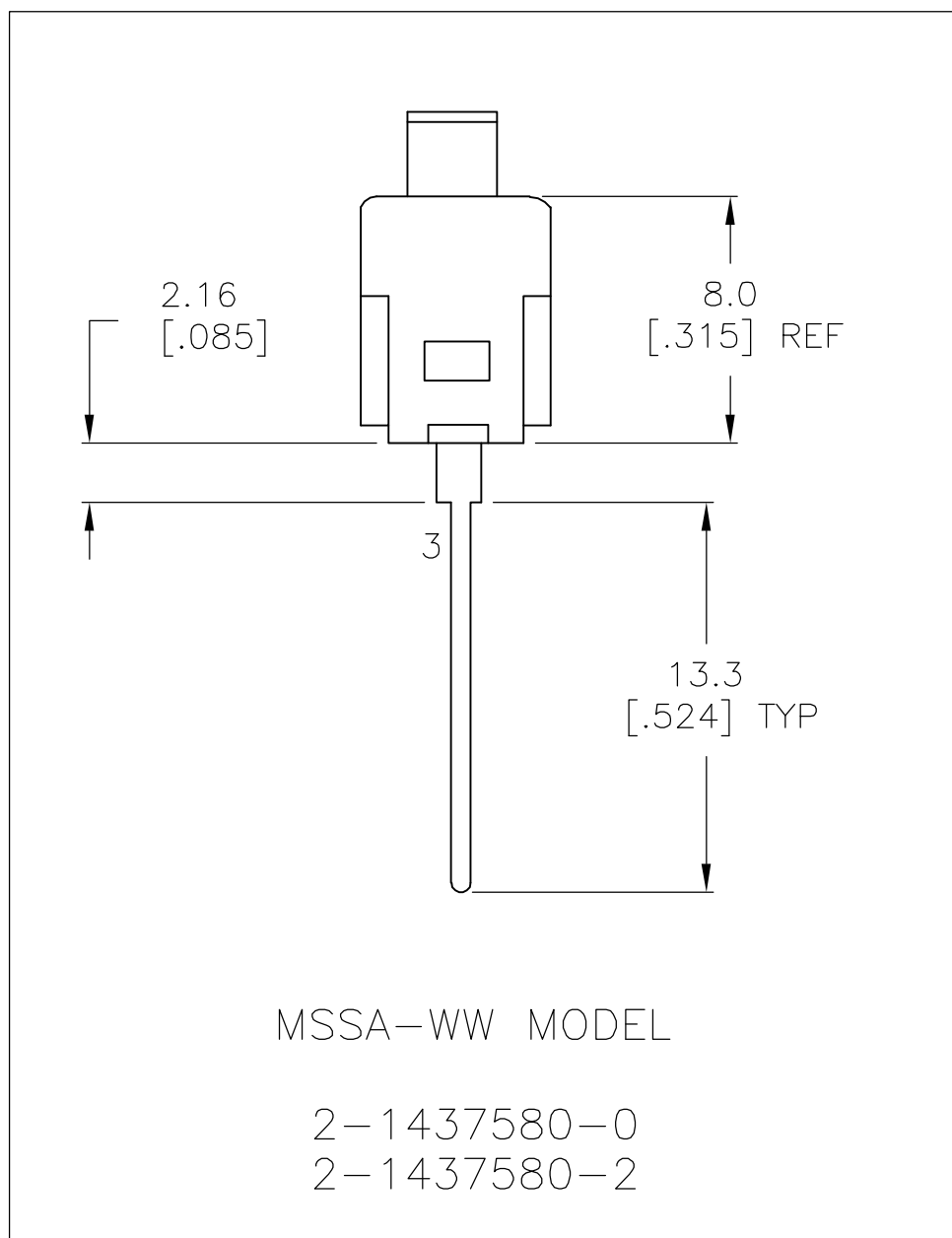
SPECIFICATIONS:
 BREAK-BEFORE-MAKE

MATERIAL:
 SLIDER, GLASS FILLED NYLON, UL94-HB, BLACK.
 BASE, GLASS FILLED PBT, BLUE.
 COVER, GLASS FILLED PBT, BLUE.
 SLIDE PLATE, STAINLESS STEEL.
 ACTUATOR, PPS, BLACK.
 ROCKER CONTACT(GOLD), COPPER ALLOY, GOLD OVER NICKEL PLATING.
 ROCKER CONTACT(SILVER), COPPER ALLOY PLUS COINED SILVER.
 FIXED CONTACT/TERMINAL (GOLD), COPPER ALLOY, GOLD OVER NICKEL PLATE.
 FIXED CONTACT/TERMINAL(SILVER), COPPER ALLOY PLUS COINED SILVER, GOLD OVER NICKEL PLATE.

ELECTRICAL:
 CONTACT RATING(SILVER)- 3A@115V AC OR 1.5A@230V AC
 CONTACT RATING(GOLD)- .4VA MAX@20V DC OR PEAK AC
 INITIAL CONTACT RESISTANCE - 20 MILLIOHMS MAX.
 INSULATION RESISTANCE- 1000 MEGOHMS MIN @ 500V DC
 DIELECTRIC STRENGTH- 500 V RMS@SEA LEVEL.
 LIFE EXPECTANCY- 30,000 OPERATIONS.

MECHANICAL:
 OPERATING FORCE- 600+/-300 GRAMS.
 TRAVEL-.120

ENVIRONMENTAL:
 OPERATING TEMPERATURE- -20°C TO +65°C
 STORAGE TEMPERATURE- -40°C TO +100°C
 SOLDER HEAT RESISTANCE- PER 109-202, CONDITION B.
 SOLDERABILITY PER EIA 364-52, CLASS 2, CATAGORY 1.



2,1	OFF	2,3	SILVER	MSSA104E	2-1437580-6
2,1	NONE	2,3	SILVER	MSSA104DRA	2-1437580-5
2,1	NONE	2,3	SILVER	MSSA104D1	2-1437580-4
2,1	NONE	2,3	SILVER	MSSA104D	2-1437580-3
2,1	OFF	2,3	GOLD	MSSA101EGWW	2-1437580-2
2,1	OFF	2,3	GOLD	MSSA101EGRA	2-1437580-1
2,1	NONE	2,3	GOLD	MSSA101DGWW	2-1437580-0
2,1	NONE	2,3	GOLD	MSSA101DGRA	1-1437580-9
2,1	NONE	2,3	GOLD	MSSA101DG1	1-1437580-8
2,1	NONE	2,3	GOLD	MSSA101DG	1-1437580-7
PLATING				ALCO PART NO.	TYCO PART NO.

THIS DRAWING IS A CONTROLLED DOCUMENT.

DWN	23DEC80	ROBERT J. WINGROVE	tyco	Tyco Electronics Corporation
CHK	30DEC80		Electronics	Harrisburg, Pa 17105-3608
APVD	05JAN81		SLIDE SWITCH SP & SPRA	
DIMENSIONS: mm [INCHES]		TOLERANCES UNLESS OTHERWISE SPECIFIED:	SIZE CAGE CODE DRAWING NO RESTRICTED TO	
0 PLC ± -		1 PLC ± -	A2 00779 C=1-1437580-7	
2 PLC ± -		2 PLC ± -	SCALE 4:1 SHEET 1 OF 1 REV B1	
3 PLC ± 0.25[.010]		3 PLC ± -		
4 PLC ± -		4 PLC ± -		
FINISH		FINISH		
MATERIAL		FINISH		
CUSTOMER DRAWING				