

EPD1021F



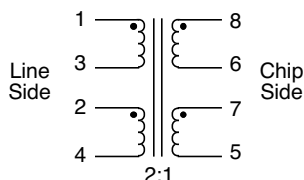
- Designed for Conexant Chipset
- Excellent THD Characteristic
- Isolation : 1500Vrms, 1 minute
(Tested by applying 1875 Vrms for 1 second between Primary and Secondary windings)

Electrical Parameters @ 25° C

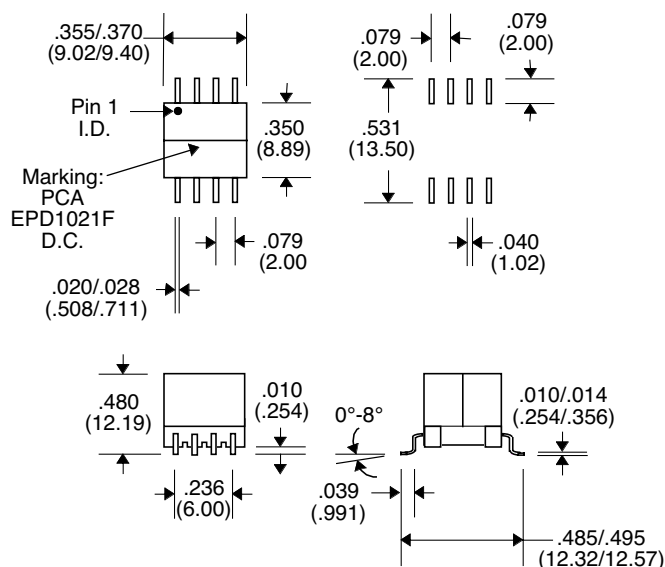
Line Side OCL (mH ± 6%)	Leakage Inductance (μH Max.)	Interwinding Capacitance (pF Typ.)	Total Harmonic Distortion (dB Typ.)	Longitudinal Balance (dB Min.)	DCR (Ω Max.)	
					Line Side	Chip Side
@ 10 KHz , 0.1 Vrms	@ 100 KHz, 0.1 Vrms	@ 100 KHz, 0.1 Vrms	@ 5 KHz, 1.74 Vrms	5 KHz - 1.1 MHz	Line Side	Chip Side
2.0	10	50	-70	-50	2.0	1.0
Pins 1-4 with 3-2 shorted	Pins 1-4 with 3-2, 8-5 & 6-7 shorted	Between Pins 1-2-3-4 & Pins 5-6-7-8	† 33 Ω Load 135 Ω Input	---	Pins 1-3 or Pins 2-4	Pins 6-8 or Pins 5-7

• † Tie Pins : 3-2 & 6-7 •

Schematic



Package



Unless Otherwise Specified Dimensions are in Inches /mm ± .010 / .25