

Token Ring Integrated Filter Module

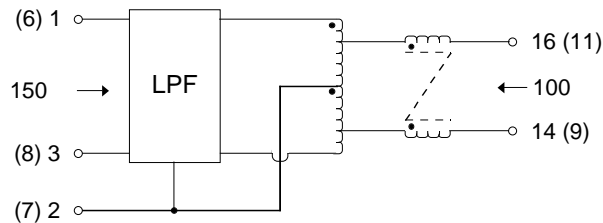
Features

- Includes both Transmit and Receive channels in one module
- Complies with IEEE 802.5 Current Proposal for UTP Cable

Electrical Specifications @ 25°C

PCA Part Number		EPT7064	
Isolation	2000 Vrms (for 1 minute)	Crosstalk	-30 dB Min. @ 30 MHz
Insertion Loss	1-30 MHz -1.0 Max.	Return Loss	1-25 MHz -15 dB Min.
		Common Mode Rejection	10-70 MHz -25 dB Min.

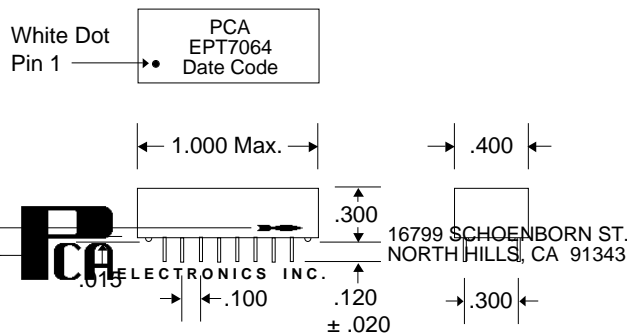
Schematic



DataSheet4U.com

DataSheet4U.com

Package



Unless Otherwise Noted
Dimensions in Inches
Tolerances: Fractional = ± 1/32
.XX = ± .030 .XXX = ± .010

16799 SCHOENBORN ST.
NORTH HILLS, CA 91343

TEL: (818) 892-0761
FAX: (818) 894-5791
WEB: <http://www.pcainc.com>

