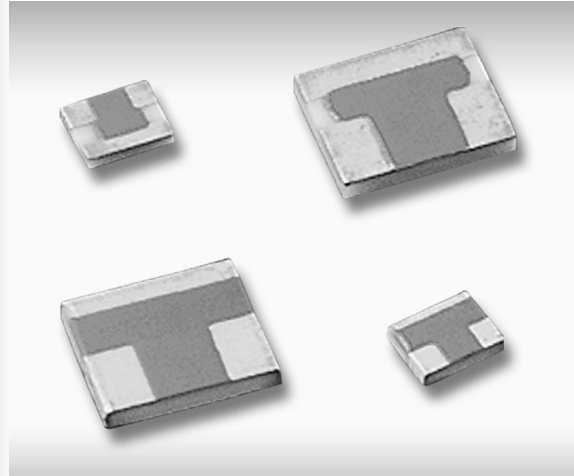


Features

- Substrate - Alumina
- Power Rating - 0.1 to 2 Watts
- Frequency Range DC to 18 GHz
- Tape and Reel Packaging Available
- VSWR under 1.50:1
- Variety of Chip Sizes
- Attenuation Values from 1 to 20 dB in 1 dB increments; consult the factory for fractional and higher attenuation values.
- S-Parameter Files Available
- Surface Mount and Lead Attachment Versions Available

Applications

- Circulators
- Coaxial Attenuator Components
- Filters
- High Power Amplifiers
- Instrumentation
- Isolators
- Military
- Signal Sampling
- Interstage Isolation
- Impedance Matching



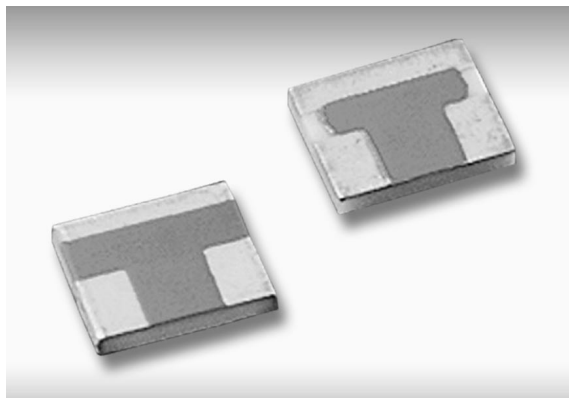
EMC Technology's attenuators are available in a low power chip package. The power ratings range from 0.1 to 2 watts. The attenuation values range from 1 dB to 20 dB. The terminals of EMC chip attenuators are made with thick film base material that is nickel plated and solder coated. The resistive element is thin film offering superior electrical performance. The TS04 series uses thick film resistor elements. The devices are available for shipping in tray or tape and reel packaging.

Quick Selector Chart

Series	Frequency Range (GHz)	Dimensions (Inches)
TS03	DC-12.4	.145 x .122
TS04	DC-2.5	.100 x .125
TS05	DC-18	.075 x .060

Table of Contents

General Specifications	20
TS03 Chip	22
TS04 Chip	24
TS05 Chip	26



EMC Technology's TS03 chip attenuators offer power dissipation up to 2 watts and are designed to work from DC to 12.4 GHz. High reliability and tight tolerance options are available.

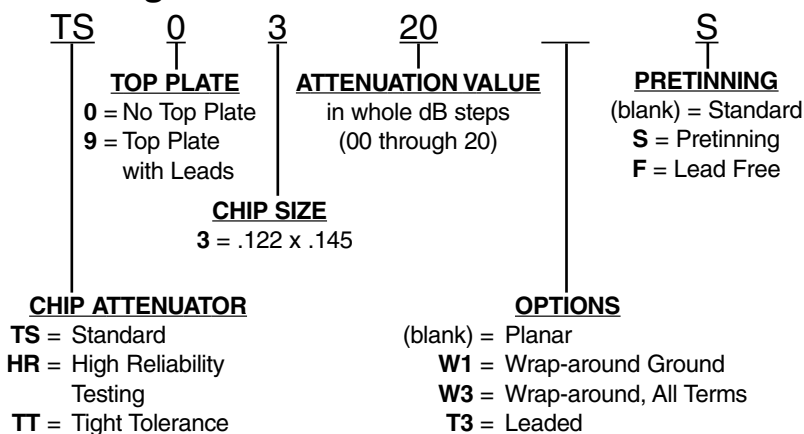
General Specifications

Impedance 50 Ohms Nominal
Attenuation Stability 0.0001 dB/dB/C°
VSWR (Max) 1.25 @ DC-4 GHz
 1.35 @ 4-8 GHz
 1.50 @ 8-12.4 GHz
Power Rating 2.0 Watts
Power Derating 100% @ 125° C
 Derates to 0% @ 150° C
Operating Temperature -55° C to 150° C

Material Specifications

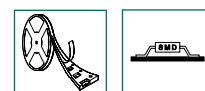
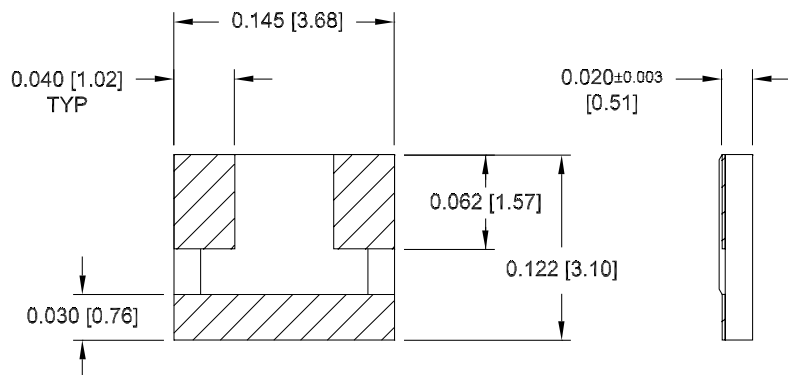
Substrate Alumina
Resistive Element Thin Film
Termination Material .. Thick Film, Nickel Barrier
 with Solder Plated Finish

Ordering Information



Note: Contact factory for details regarding precision tight tolerance (TT) attenuators.

Dimensions (TS03XX Series)



TS03 Style

