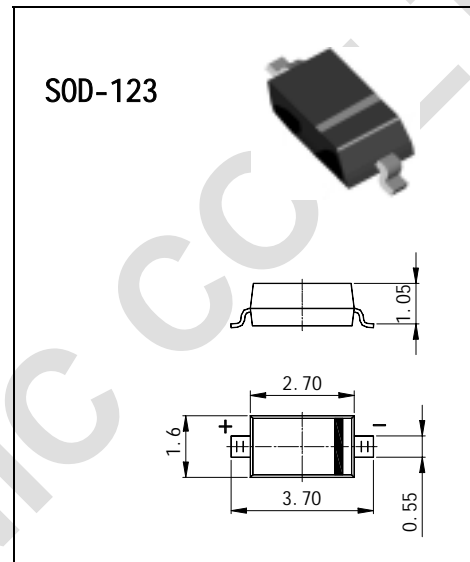


## Features

- Low Forward Voltage Drop
- Guard Ring Construction for Transient Protection
- Fast Switching Time
- Low Reverse Capacitance
- Surface Mount Package Ideally Suited for Automatic Insertion



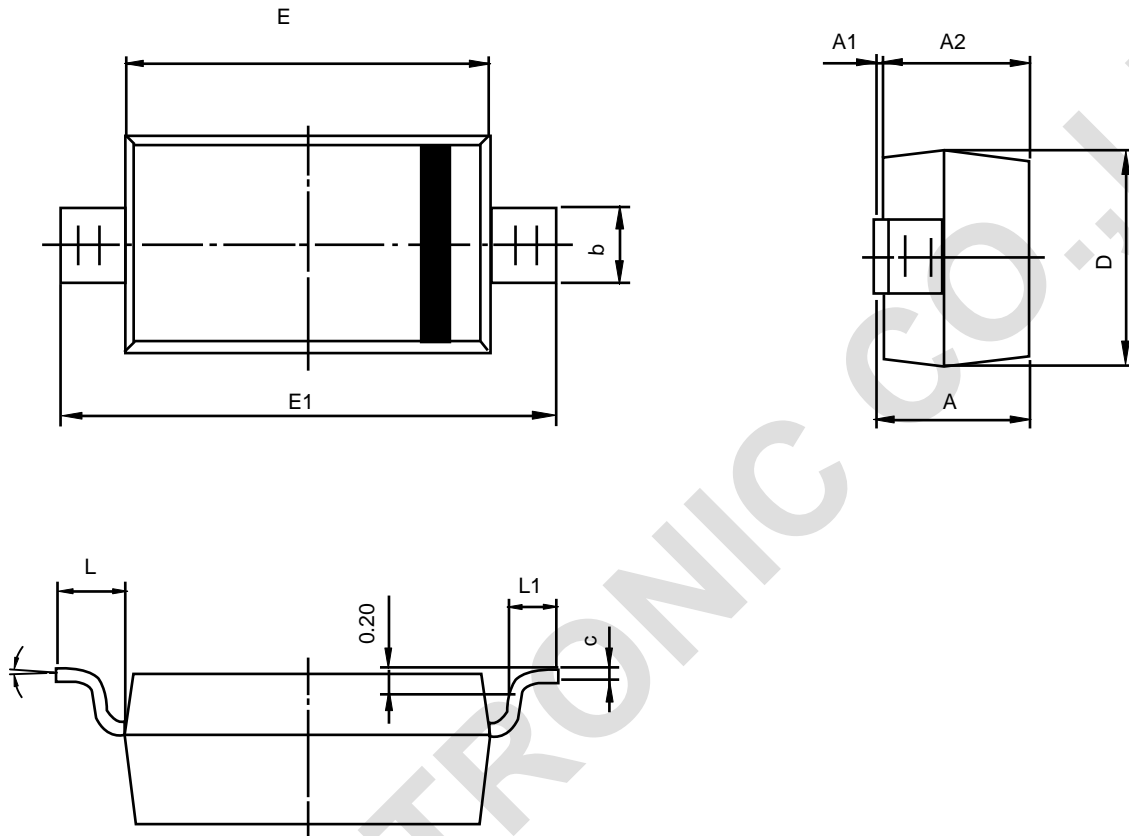
## Maximum Ratings @ T<sub>A</sub> = 25°C unless otherwise specified

Characteristic	Symbol	1N5711W	Unit
Peak Repetitive Reverse Voltage Working Peak Reverse Voltage DC Blocking Voltage	V <sub>RRM</sub> V <sub>RWM</sub> V <sub>R</sub>	70	V
RMS Reverse Voltage	V <sub>R(RMS)</sub>	49	V
Maximum Forward Current	I <sub>FM</sub>	15	mA
Power Dissipation (Note 1)	P <sub>d</sub>	250	mW
Thermal Resistance, Junction to Ambient Air (Note 1)	R <sub>θJA</sub>	600	K/W
Operating and Storage Temperature Range	T <sub>j</sub> , T <sub>STG</sub>	-65 to +175	°C

## Electrical Characteristics @ T<sub>A</sub> = 25°C unless otherwise specified

Characteristic	Symbol	Min	Typ	Max	Unit	Test Condition
Reverse Breakdown Voltage	V <sub>(BR)R</sub>	70	—	—	V	I <sub>R</sub> = 10μA
Reverse Leakage Current	I <sub>R</sub>	—	—	200	nA	V <sub>R</sub> = 50V
Forward Voltage Drop	V <sub>FM</sub>	—	—	0.41 1.00	V	I <sub>F</sub> = 1.0mA I <sub>F</sub> = 15mA
Junction Capacitance	C <sub>j</sub>	—	—	2.0	pF	V <sub>R</sub> = 0V, f = 1.0MHz
Reverse Recovery Time	t <sub>rr</sub>	—	—	1.0	ns	I <sub>F</sub> = I <sub>R</sub> = 5.0mA I <sub>rr</sub> = 0.1 x I <sub>R</sub> , R <sub>L</sub> = 100Ω

Note: 1. Valid provided that terminals from the case are maintained at ambient temperature.



Symbol	Dimensions In Millimeters		Dimensions In Inches	
	Min	Max	Min	Max
A	1.050	1.250	0.041	0.049
A1	0.000	0.100	0.000	0.004
A2	1.050	1.150	0.041	0.045
b	0.450	0.650	0.018	0.026
c	0.080	0.150	0.003	0.006
D	1.500	1.700	0.059	0.067
E	2.600	2.800	0.102	0.110
E1	3.550	3.850	0.140	0.152
L	0.500REF		0.020REF	
L1	0.250	0.450	0.010	0.018
θ	0°	8°	0°	8°