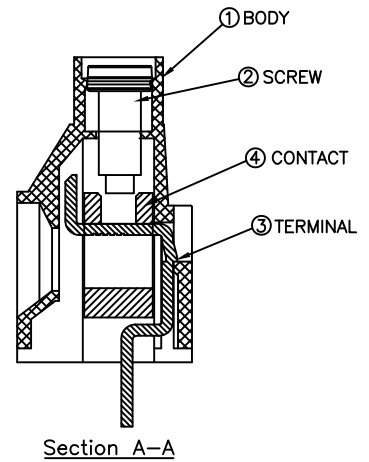
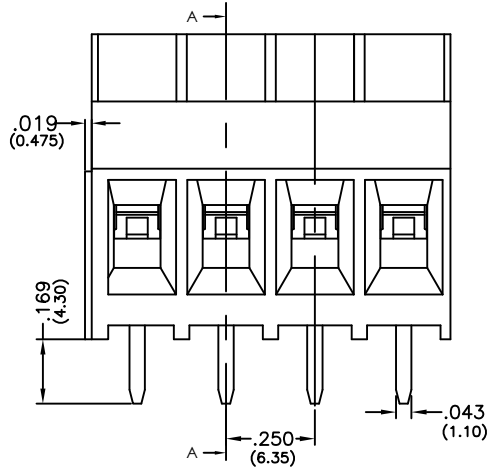
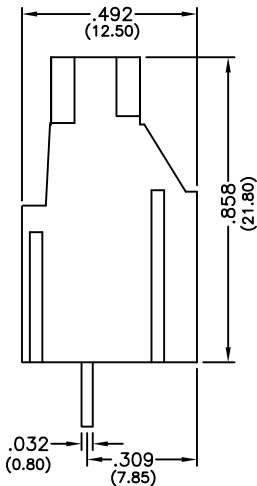
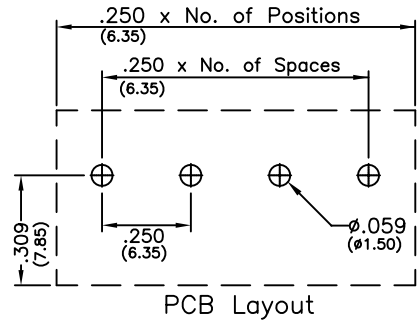
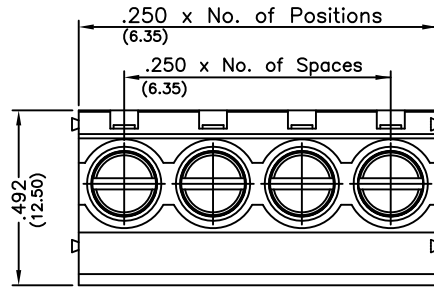


Major League Electronics .250 cl Rising Clamp Terminal Blocks



Ordering Information

TBR-06-250-XX-XX-LF

Pitch
250 = .250 (6.35) cl

No. of Positions
02 - 24

Lead Free

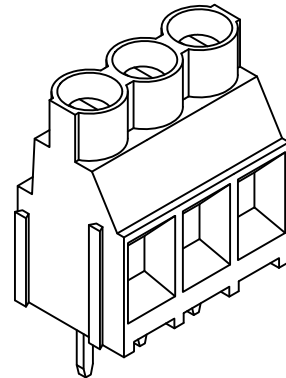
- Color
- GR = Green (Standard)
 - BK = Black
 - BL = Blue
 - WH = White
 - GY = Grey
 - OR = Orange
 - YW = Yellow
 - RD = Red
 - BR = Brown

Specifications

- Current Rating: 20 Ampere
- Voltage Rating: AC 250V
- Wire Range: 10-24 AWG
- Dielectric Withstanding Voltage: AC 2500V/1 minute
- Insulation Resistance: DC 500V 500MΩ
- Operating Temperature: -33°C to + 105°C
- Max Torque: 3.47 lb-in (4.0kgf. cm)
- Strip Length: .236-.354 (6-9mm)

Materials

1. Body: PA66 (Nylon), UL94 V-0
2. Screw: M3.0, C1018 Steel, Zinc Plated
3. Terminal: H62, HV110-130, Tin Plated
4. Contact: H65, HV110-135, Nickel Plated



Parts are subject to change without notice

TBR-06-250-XX-XX-LF

.250cl Rising Clamp Terminal Block
Interlock

04 DEC 08

Scale
NTS

UNLESS OTHERWISE SPECIFIED
DIMENSIONS IN INCHES (MM)
TOLERANCES IN INCHES:

ONE DECIMAL PLACE ±0.30
TWO DECIMAL PLACE ±0.20
THREE DECIMAL PLACE ±0.15
FOUR DECIMAL PLACE ±0.10



4235 Earnings Way, New Albany, Indiana, 47150, USA
1-800-782-3486 (USA/Canada/Mexico)
Tel: 812-944-7244
Fax: 812-944-7268
E-mail: mle@mlelectronics.com
Web: www.mlelectronics.com

Revision
B

Sheet
1/2

Revisions

Revision B - (23rd Mar 2010)

Side view added,
Dielectric Withstanding Voltage amended to AC 2500V/1 minute,
Insulation Resistance amended to DC 500V 500M Ω ,
Strip Length amended to .236-.354 (6-9mm)

TBR-06-250-XX-XX-LF

.250cl Rising Clamp Terminal Block
Interlock

04 DEC 08

Scale
NTS

UNLESS OTHERWISE SPECIFIED
DIMENSIONS IN INCHES (MM)
TOLERANCES IN INCHES:

ONE DECIMAL PLACE ± 0.30
TWO DECIMAL PLACE ± 0.20
THREE DECIMAL PLACE ± 0.15
FOUR DECIMAL PLACE ± 0.10



4235 Earnings Way, New Albany, Indiana, 47150, USA
1-800-782-3486 (USA/Canada/Mexico)
Tel: 812-944-7244
Fax: 812-944-7268
E-mail: mle@mlelectronics.com
Web: www.mlelectronics.com

Revision
B

Sheet
2/2