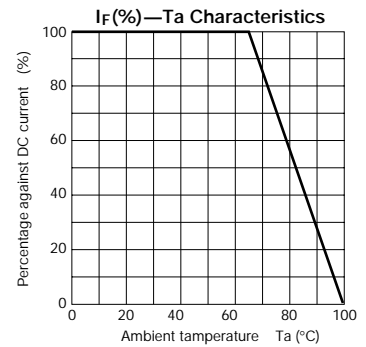
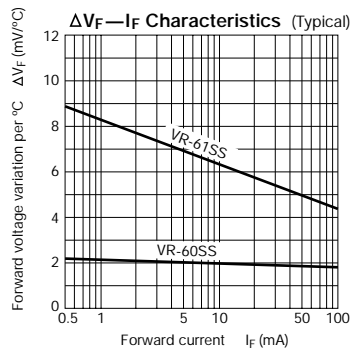
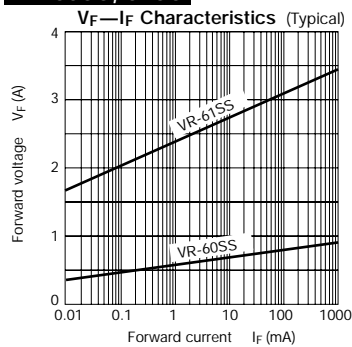


Symmetrical type Silicon Varistors

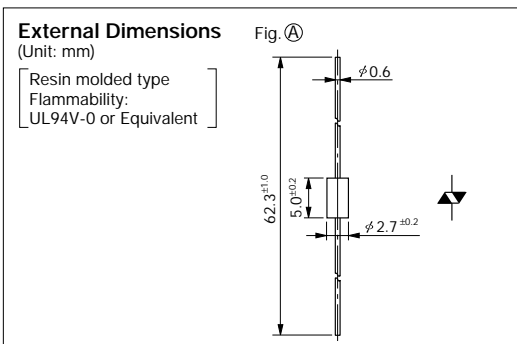
| Parameter Type No. | Absolute Maximum Ratings | | | | DC characteristics | | | | Others | | |
|-----------------------|--------------------------|---|---------------|-------------------|--------------------|---------------------|-------------------------|-------------|--------|-----|---|
| | I_F (mA) | I_{FSM} (A) 50Hz 1cycle Sinewave | T_J (°C) | T_{stg} (°C) | V_F (V) | I_F (μ A) | $R_{th}(j-l)$ (°C/W) | Mass (g) | Fig. | | |
| VR-60SS | 400 | 15 | -40 to +100 | | 1.5max | 1A | 20 | 0.2 | 20 | 0.3 | Ⓐ |
| VR-61SS | 150 | 7.5 | | | 2.3±0.25 | 1 | | | | | |
| | | | | | 2.75±0.25 | 10 | | | | | |
| | | | | | 3.1±0.25 | 70 | | | | | |

■ Applications: Divided voltage stabilization circuit, Signal limiter circuit, Temperature detection circuit, Zener voltage stabilization circuit, Meter protection circuit, etc.

VR-60SS, 61SS



| Type No. | VR-60SS | VR-61SS |
|-------------------|---------|---------------|
| Color indication | Orange | Orange Red |
| Internal junction | | |



● In North America, please send inquiries for the products listed in this page to World Products Inc.