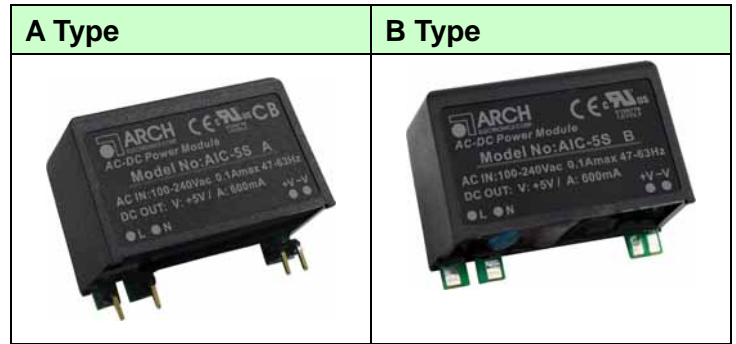


KEY FEATURES

- Switching Power Module for PCB Mountable
- Fully Encapsulated Plastic Case
- Universal Input Range 90-264VAC, 47-63 Hz
- Low Ripple and Noise
- Isolation Class II
- Maximum No-Load Watts < 0.3W
- CE , UL Approval
- 3-Years Product Warranty


ELECTRICAL SPECIFICATIONS

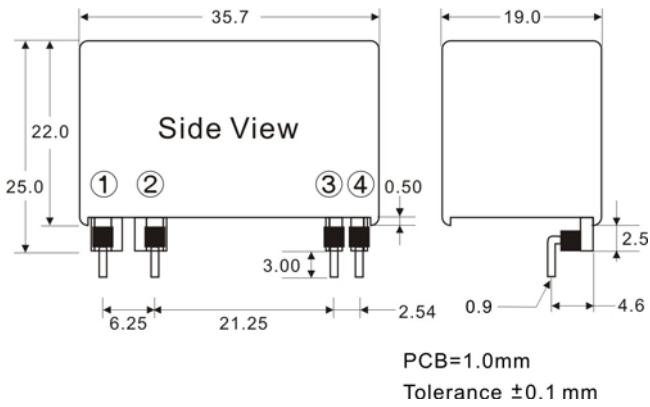
Model No.		AIC-3.3S	AIC-5S	AIC-9S	AIC-12S	AIC-15S	AIC-24S
Max Output Wattage (W)		2.97W	3W	3W	3W	3W	3W
Input	Voltage	90-264 VAC or 120-370 VDC					
	Frequency (Hz)	47-63 Hz					
	Current (Full load)	75 mA max. (115 VAC) / 55 mA max. (230 VAC)					
	Inrush Current (<500us)	20 A max. (115 VAC) / 50 A max. (230 VAC)					
	Leakage Current	0.25 mA max.					
	External Fuse (recommend)	3.15 A slow blow type					
Output	Voltage (V.DC.)	3.3V	5V	9V	12V	15V	24V
	Voltage Accuracy	±10%					
	Current (mA) max	900	600	333	250	200	125
	Line Regulation (LL-HL) (typ.)	±5%	±2%				
	Load Regulation (0-100%) (typ.)	±5%	±2%				
	Minimum Load	0%					
	Maximum Capacitive Load	14000uF	8000uF	3200uF	1500uF	1000uF	470uF
	Ripple & Noise (Vp-p) max	<250mV	<200mV	<150mV	<100mV		
	Efficiency	69%	71%	76%	76%	76%	77%
	Hold-up Time	15 ms min.					
Protection	Over Power Protection	Hiccup technique, auto-recovery					
	Over Voltage Protection	Zener diode clamp					
	Short Circuit Protection	Hiccup mode, indefinite (automatic recovery)					
Isolation	Input-Output (V.AC)	3750V					
Environment	Operating Temperature	-40°C...+85°C (with derating)					
	Storage Temperature	-40°C...+85°C					
	Temperature Coefficient	±0.02%/°C					
	Humidity	95% RH					
	MTBF	>650,000 h @ 25°C (MIL-HDBK-217F)					
Physical	Dimension (L x W x H)	1.41x 0.75 x 0.86 Inches (35.7 x 19.0 x 22.0 mm) Tolerance ±0.5 mm					
	Case Material	Plastic resin with Fiberglass (flammability to UL 94V-0)					
	Weight	26 g					
	Cooling Method	Free air convection					
Safety	Agency Approvals	UL, cUL, CE, CB(only for A Type,5V)					
EMC	EMI (Conducted & Radiated Emission)	EN 55022 class B					
	EMS (Noise Immunity)	EN 55024					

1. All specifications valid at normal input voltage, full load and +25°C after warm-up time unless otherwise stated.

2. Ripple & Noise are measured at 20MHz of bandwidth with 0.1uF & 47uF parallel capacitor.

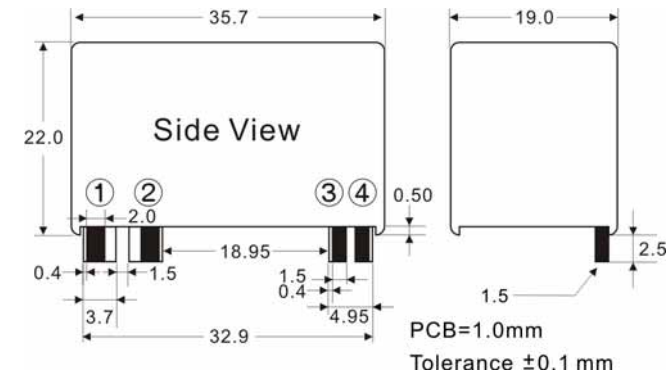
MECHANICAL DIMENSION

A Type

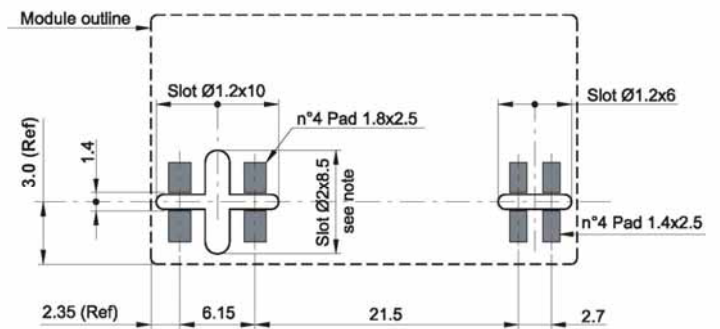


PIN#	SINGLE
1	AC IN (L)
2	AC IN (N)
3	+DC OUT
4	-DC OUT

B Type



PCB Footprint - Bottom side view



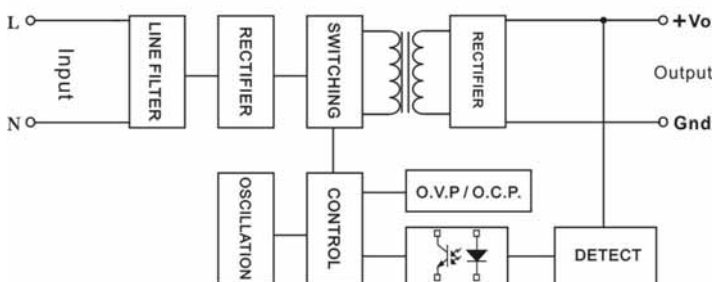
NOTE:

The 2x8.5mm slot is not mandatory
This slot is useful when high creepage between PCB tracks is required

PIN#	SINGLE
1	AC IN (L)
2	AC IN (N)
3	+DC OUT
4	-DC OUT

BLOCK DIAGRAM

Single Output



DERATING

