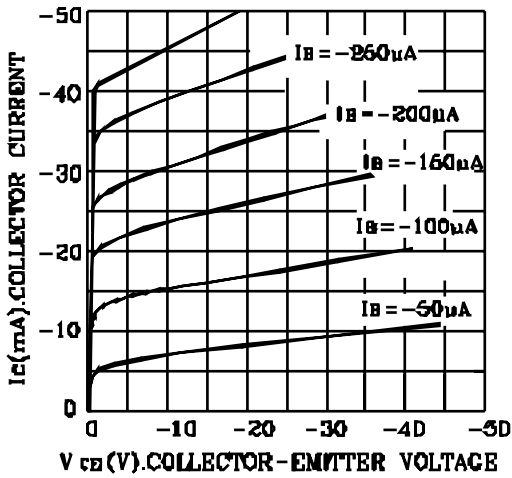
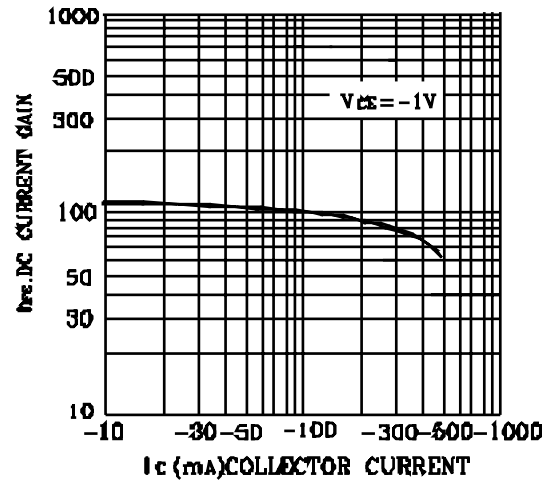


PNP Epitaxial Silicon Transistor

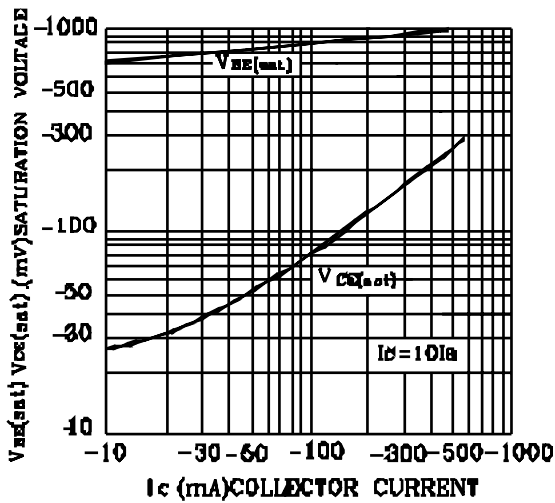
STATIC CHARACTERISTIC



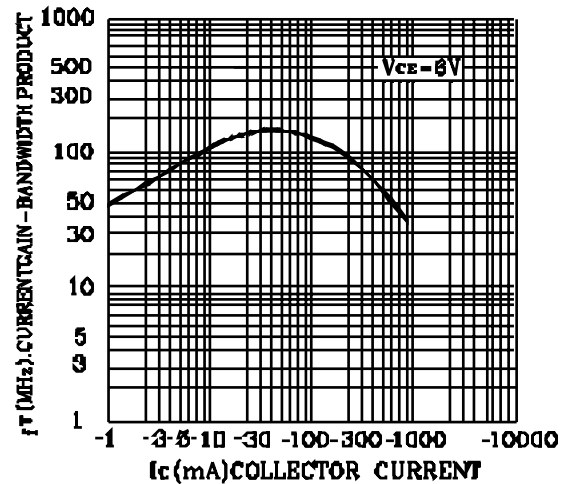
DC CURRENT GAIN



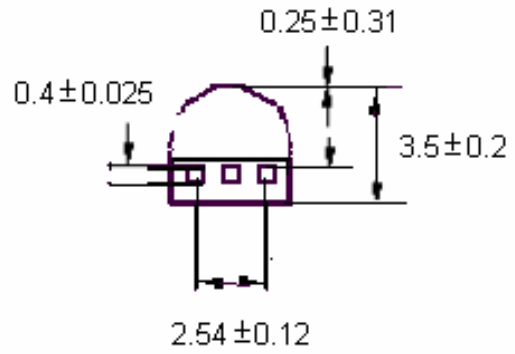
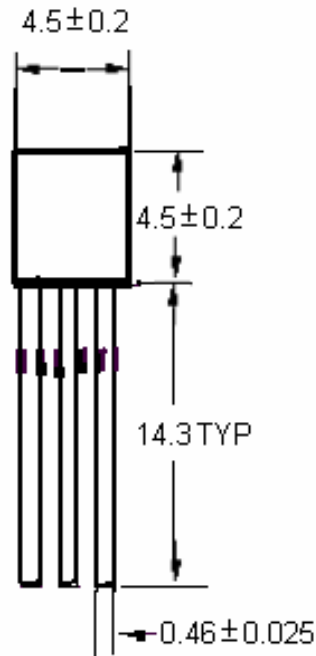
BASE-EMITTER SATURATION VOLTAGE
COLLECTOR-EMITTER SATURATION VOLTAGE



CURRENT GAIN-BANDWIDTH PRODUCT



TO-92 Unit:mm



SOT-23 Unit:mm

