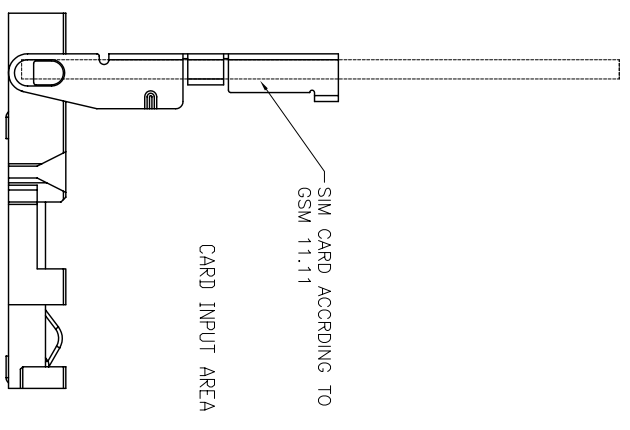
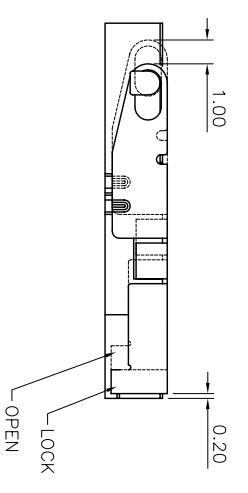
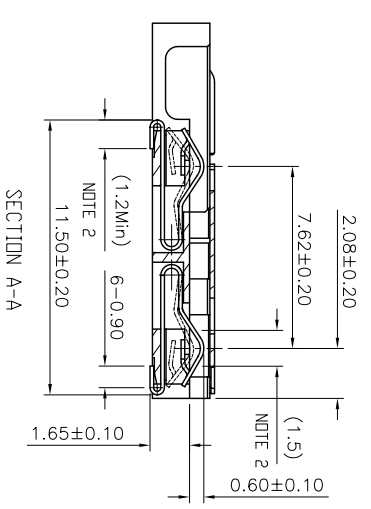
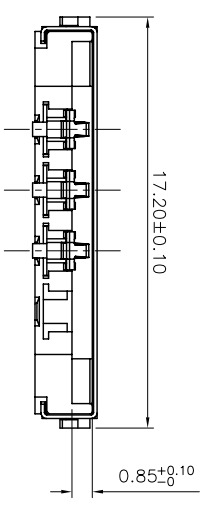
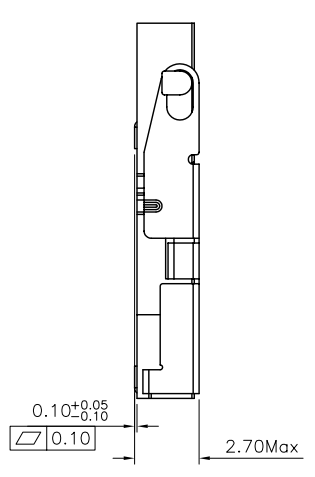
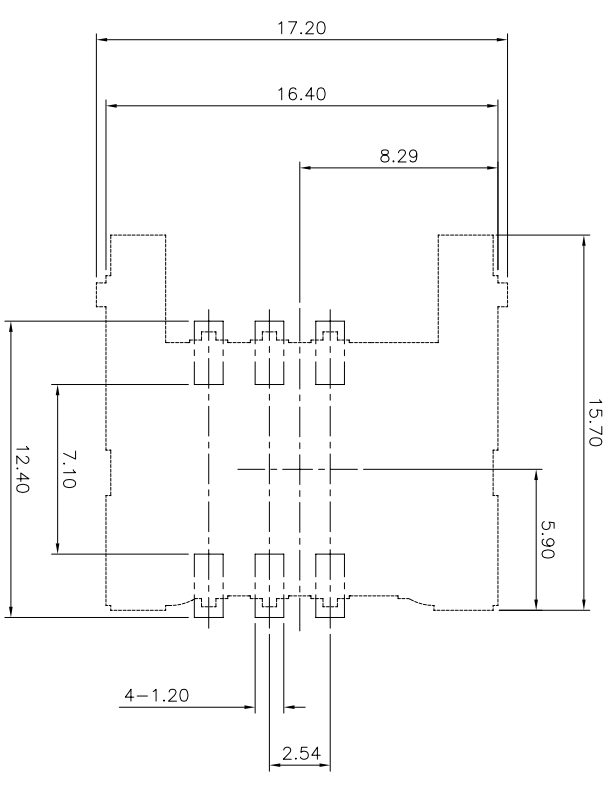
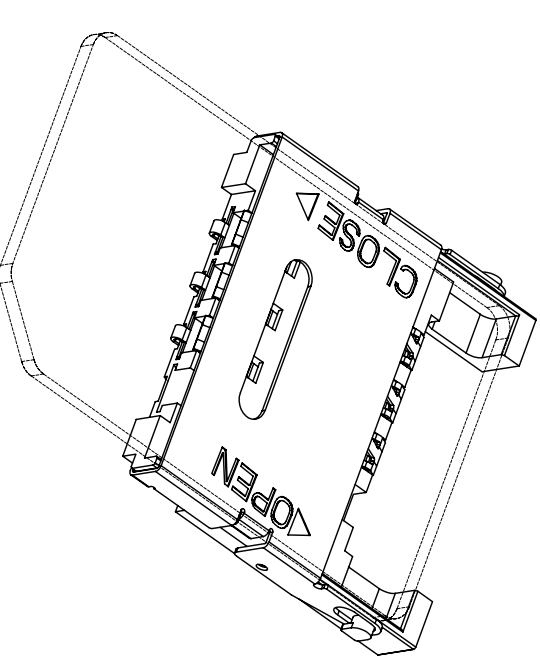
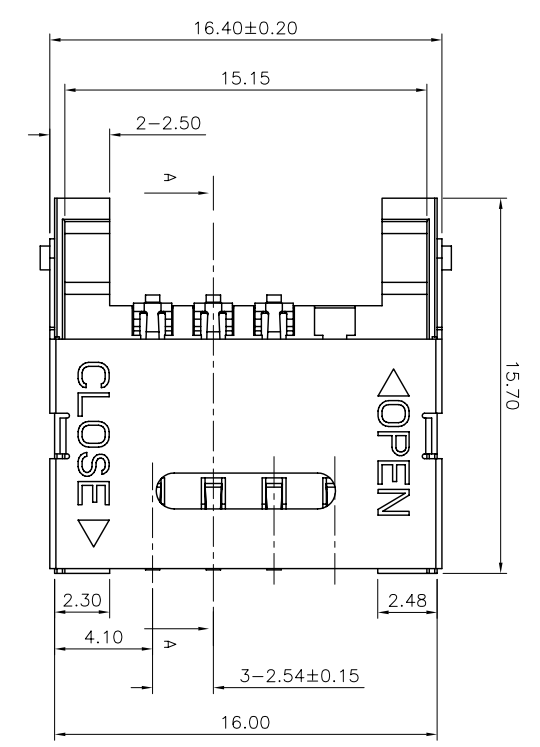


This document is the property of Amphenol Corporation and is delivered on the understanding that it is loaned to you for your use only. It is not to be reproduced, copied, or in part, for manufacture or sale by anyone other than Amphenol Corporation without its prior consent, & that no right is granted to disclose or to use any information in this document.

# CUSTOMER DRAWING

REVISIONS		DATE	APPROVED
SYM	EON#	DESCRIPTION	
A	HK4541	RELEASE TO CUSTOMER	IP



**NOTE:**

1. Contacts chip cards according to ISO7816 and Plug In SIM-Cards.
  2. Material:
    - a.Housing: high temperature thermoplastic black UL 94V-0
    - b.Contact: Aolily Copper.
  - Finish of contact: Au over,the gold plating thickness refers to order number system 2um MIN Ni underplated Soldering point 2um matte tin. 2um MIN Ni underplated.
  - c.Shell:SUS.
  - d.Contact normal force for 0.5±0.2N
- 3.Material should be fulfilled AmphenolSpec#SSN001
- 4.Packing:Tape&Reel

Order Number: CAD-06L1-27X

Contact plating  
 1-0.76 um MIN Gold  
 2-0.38 um MIN Gold  
 3-Gold Flash, 0.025 um MIN

UNLESS OTHERWISE SPECIFIED TOLERANCES		APPROVAL		DATE	
METRIC	U.S.	U.S.	METRIC	DATE	DATE
+	-	+	-	07/03/07	07/03/07
.XX	+/-	DB	Geo		
.XXX	+/-	CHECKED			
FRACTIONS	+/-				
ANGLES	+/-				

FOR MATERIALS AND FINISHES SEE NOTES

REMOVE SHARP EDGES

DIMENSIONS

ANGLE OF PROJECTION

DRAWING FILE : FE MASTER DRAWING CAD CAD06L127X-A

TITLE		SIZE	DRAWING NO.	SCALE	SHEET	OF	REV.
6 Pin block Smartcard Connector		A3	CAD-06L1-27X	NONE	1	OF 1	A

