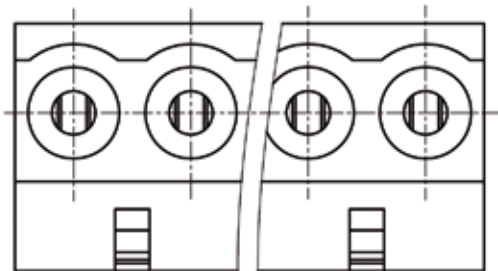
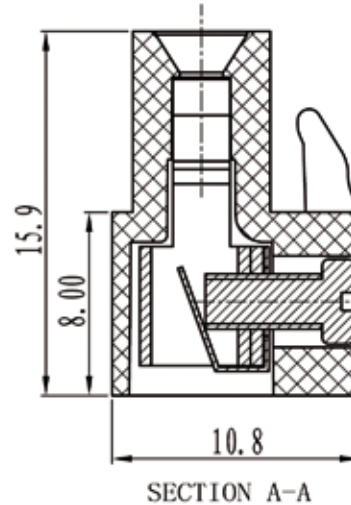
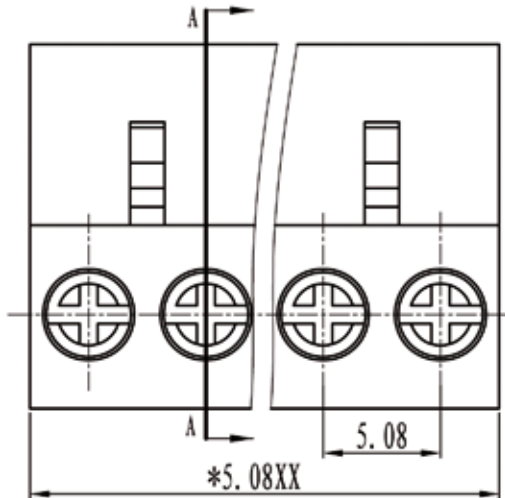


# euro-block

product specification



### Electrical

Standard: UL-IEC  
 Rated voltage: 300V-320V  
 Rated current: 10A-20A  
 Contact resistance: 20m Ω  
 Wire range: 22-14AWG-2.5mm<sup>2</sup>  
 Withstanding voltage: AC2000V/1Min  
 Insulation resistance: 500M Ω/DC1000V

### Mechanical

Torque: 0.4Nm (3.6Lb'in)  
 Temp.Range: -40°C~+105°C  
 Strip length: 5-6mm

### Dimensions

Pitch: 5.08mm  
 Poles: 2p-24p

### Material

Housing: PA66, UL94V-0  
 Screws: M2.5, steel Zinc plated  
 Wire guard: Brass, Ni plated  
 Clamp: Phosphor bronze, Ni plated

TOLERANCES EXCEPT AS NOTED

variable range	linear dimension				fillet	chamfer	short angle sid			≡	—	□	//	⊥		
	to 6	over 6 to 30	over 30 to 120	over 120 to 480	all to 6	over 6 to 10	over 10 to 50	over 50 to 120	all to 5	over 5 to 30	over 30 to 120	over 120 to 480	0.12	0.4		
tolerance	±0.1	±0.2	±0.3	±0.5	±0.2	±0.5	±1	1'	30'	20'	10'	0.5	0.025	0.06	0.12	0.4

UNITS	mm	SIZE	A4	SCALE	FIRST ANGLE PROJECTION	
<b>euro-block</b>						
					NAME	<b>CF5</b>