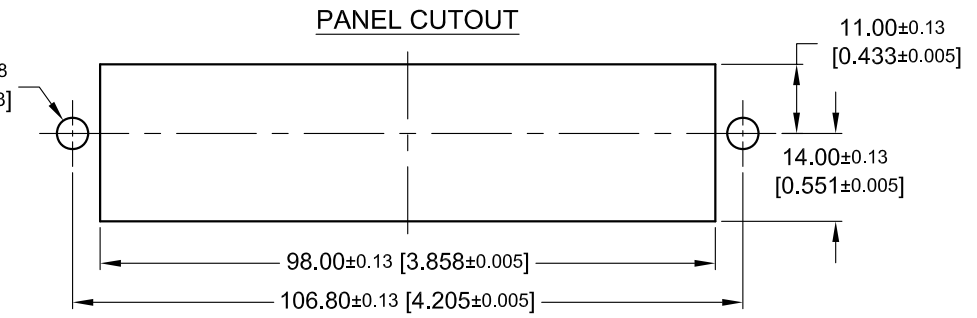
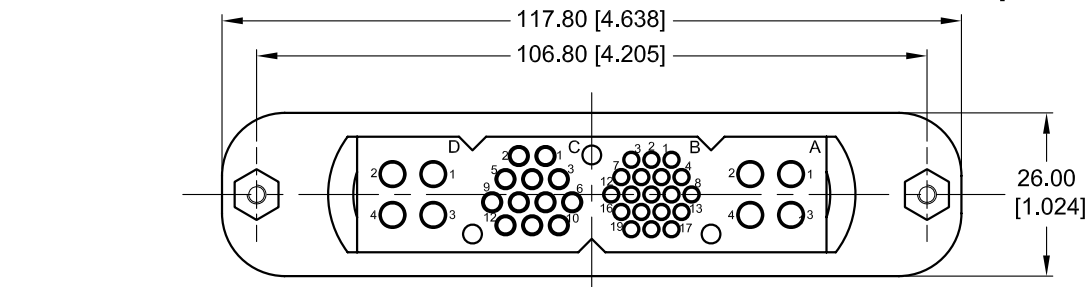
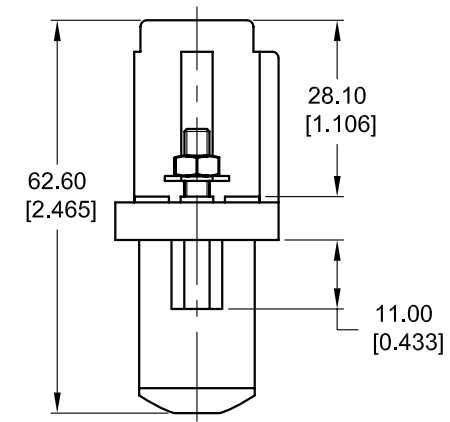
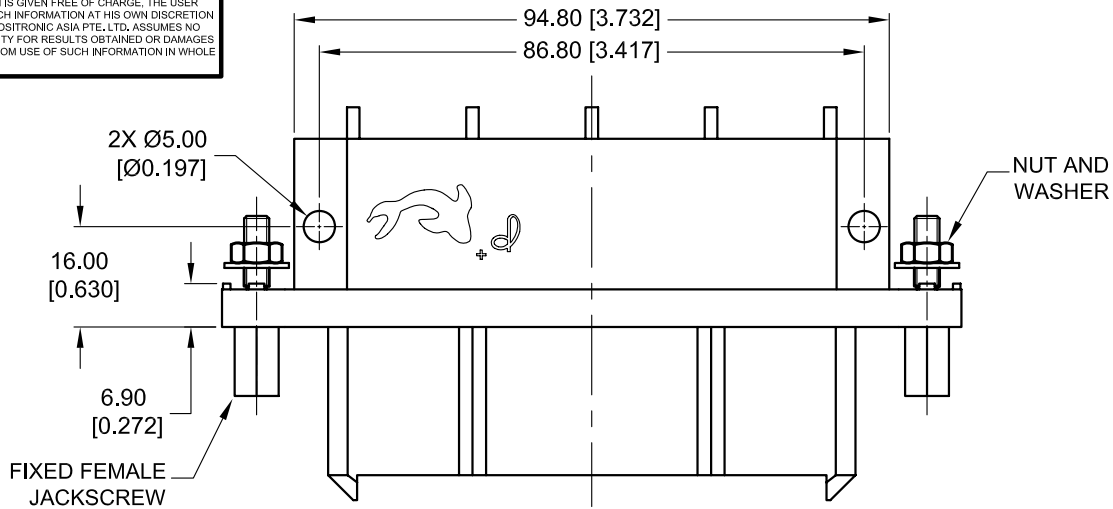


POSITRONIC ASIA PTE. LTD. BELIEVES THE DATA ON THE DRAWING TO BE RELIABLE. SINCE THE TECHNICAL INFORMATION IS GIVEN FREE OF CHARGE, THE USER EMPLOYS SUCH INFORMATION AT HIS OWN DISCRETION AND RISK. POSITRONIC ASIA PTE. LTD. ASSUMES NO RESPONSIBILITY FOR RESULTS OBTAINED OR DAMAGES INCURRED FROM USE OF SUCH INFORMATION IN WHOLE OR IN PART.

DATE	REV	REVISION RECORD	DRN	CKD	APP
18 JAN 08	NC	PA ECO 08016	MB	HM	KS
18 JUL 08	A	PA ECO 08145	KA	EH	NK



DRAWING NO.	PART NUMBER	REMARKS
ASK21415-1	GG7567F1T	-
ASK21415-2	GG7567F1T/AA	RoHS COMPLIANT PER RoHS DIRECTIVE 2002/95/EC OF 27 JAN 2003.

NOTES:

- MATERIALS AND FINISHES:  
 INSULATOR: GLASS FILLED NYLON 6-6, UL 94V-0. COLOR: ORANGE.  
 FIXED FEMALE JACKSCREW: BRASS, ZINC PLATING.  
 NUT AND WASHER: BRASS, ZINC PLATING.
- CONTACTS ORDERED SEPARATELY.
- DIMENSIONS ARE IN MILLIMETERS [INCHES].

**POSITRONIC ASIA PTE. LTD.**  
 3014A UBI ROAD 1, #07-01, SINGAPORE 408703.  
 Tel: (65) 6842-1419 / Fax: (65) 6842-1421 / Email: singapore@connectpositronic.com

	SERIES <b>GG</b>	SCALE NTS	DRAWN MB	CHECKED HM	APPROVED KS
GENERAL TOL. LINEAR : ±0.38 [0.015] ANGULAR : ±5°		TITLE <b>GG7567F1T</b> <b>GG7567F1T/AA</b>			
UNLESS OTHERWISE SPECIFIED, ALL DIMENSIONS ARE IN MILLIMETERS [INCHES]		DATE 18 JAN 08	DRAWING NUMBER ASK21415-* SHEET 1 OF 1		REV. A