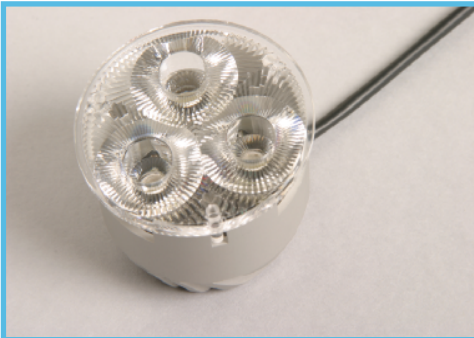


## HL16



### Features

- Easy plug and play wiring options
- Long operating life typically 50,000 hours
- Optimised thermal management
- Onboard driver option
- Selectable beam angles
- Full range of light output colours
- Low heat
- No UV



Courtesy of Aros Architecture,  
NDY Light & Crescent Lighting



Courtesy of Solar Century

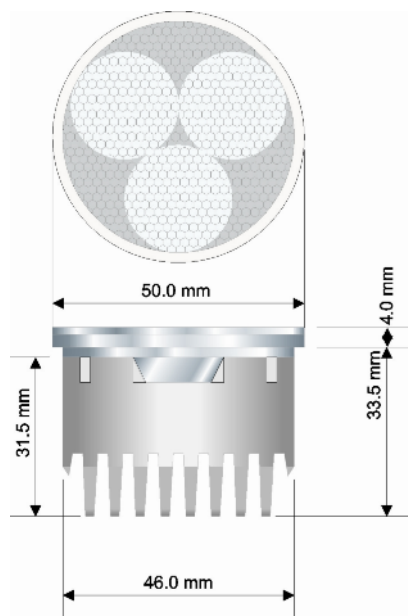
### Applications

- Retrofit to MR16 based products
- Exterior architecture
- Landscape
- Orientation
- Accent
- Display cases



Courtesy of Bink Design and Lux Lumen

## Mechanical



## Electrical

**Power Consumption**      **3.6 watts**

**Maximum Current**        **350 mA constant current**

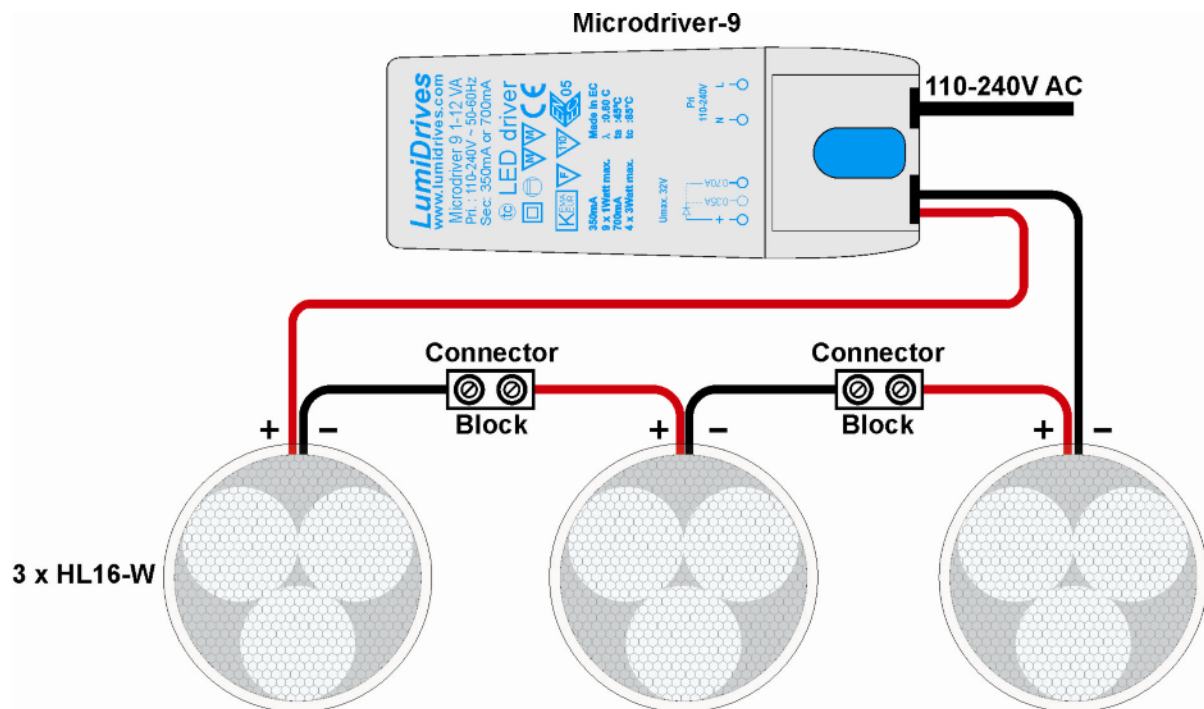
## Compatible Drivers

Model	Maximum number of HL16s connected	Supply Voltage	Dimming	Dimensions
MDE3-C-35/70	1	195-265 VAC	X	Diameter: 53mm Height: 19 mm
MDU4-SC-35	1	85 – 265 VAC	X	100 x 40 x 25 mm
MDU9-SC-35	3	85 – 265 VAC	X	100 x 40 x 25 mm
MLD8-C-35/70	2	230 VAC	X	110 x 52 x 24 mm
MDE16-C-VRL	4	230 VAC	Via 0 – 10 volt dimmer	110 x 49 x 25 mm

## Environmental

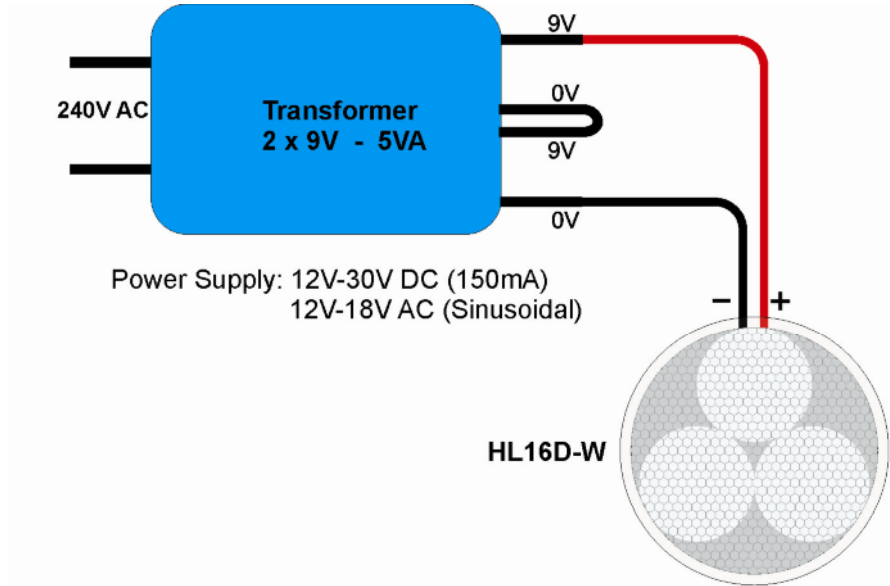
Maximum Operating Temperature	T <sub>c</sub>	+70° C
Operating Ambient Temperature	T <sub>st</sub>	-10 to +40 ° C
Typically 50,000 hours to 70% output		

## Wiring Diagrams



**HL16-Single Colour - Typical Connection**

## Wiring Diagrams



## HL16D On-Board Drive - Typical Connection

## Optical Characteristics and Order Code Information

**HL16 - D - XX**

↓  
Onboard driver option

↓  
Colour

W White  
WW Warm White  
B Blue  
G Green  
R Red  
A Amber



Typical Light Output  
in Lumens/mW\*

126  
72  
612 mW  
126  
96  
102

Example of product code:

HL16-WW  
HL16-D-R

HL16 warm white  
HL16 Red with  
onboard driver

HL16 modules are supplied with:

OPAA- 3-WSL Triple wide sub-lens

\*Full photometric data available on request.