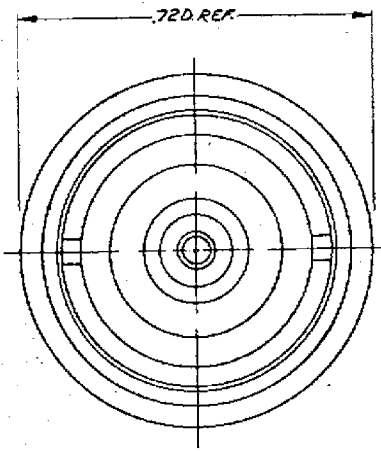
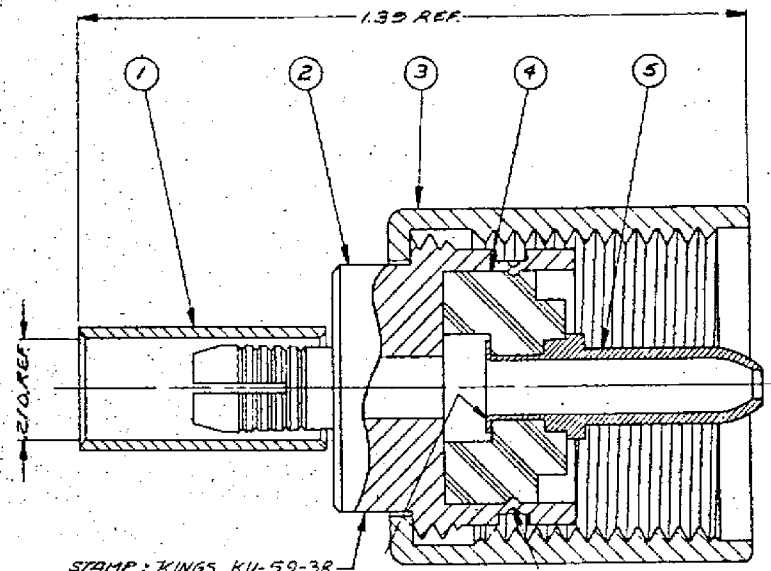


DASH NO.	DESCRIPTION	MADE FROM
----------	-------------	-----------

REVISIONS

ISSUE	CHANGES
0	ER 12711 J.G.L. 7 SEP 73
1	CN 26769 C H.Z.B. 20 JUN. 89

KU-59-38



STAMP: KINGS_KU-59-38

NOTES:

1. FOR USE WITH RG-58, 58A & 58C/U CABLE.
2. FOR CABLING INSTRUCTIONS SEE CP-410.
3. FOR CABLE TRIMMING USE KTV-63 & KTD-34.
4. FOR FORMING USE CRIMP DIE SIZE 01.
5. TR'S FINISH.

USED ON:
REF:
FINISH:
SPEC:
MATL:
SPEC:

UHF PLUG

DRAWN J.G.L.	DATE 7 SEP 73
APPR. J.M.	DATE 11 SEP 73

KINGS ELECTRONICS
40 MARBLEDALE ROAD
TUCKAHOE, N. Y. 10707

KU-59-38

ITEM	REQ'D	DESCRIPTION	PART NO.
5	1	CONTACT	
4	1	INSULATOR	
3	1	COUPLING NUT	U-59-02-A-MC7
2	1	BODY	
1	1	K-GRIP SLEEVE	N-59-29-2-MC1

UNLESS OTHERWISE SPECIFIED:

- | | |
|-----------------------------------------------------------------------------------------------------------------------------------------------------------------------------|----------------------------------------------------------------------------------------------------------------------------------------------------------------------|
| 1. TOLERANCES: FRACTIONS & 2 PLACE DECIMALS ± .010
3 PLACE DECIMALS ± .004
T. I. R. CONCENTRICITY OF ANY 2 DIAMETERS MAY NOT EXCEED HALF THE SUM OF THEIR TOLERANCES. | 2. REMOVE ALL BURRS. BREAK SHARP EDGES .005 MAX.
3. NO FILLETS PERMITTED.
4. SURFACE ROUGHNESS 63 MICRONDUNCES RMS MAX.
5. ALL DIMENSIONS PRIOR TO PLATING. |
|-----------------------------------------------------------------------------------------------------------------------------------------------------------------------------|----------------------------------------------------------------------------------------------------------------------------------------------------------------------|