

## S155 - SFP Series 100M Transceivers

### Description:

The S155 series are hot pluggable 3.3 V Small-Form-Factor (SFP) duplex and Bi-Directional transceiver module designed expressly for highspeed communication applications that require rates of up to 155 Mbps. It is compliant with the Fast Ethernet, ATM, SONET OC-3/SDH STM-1 standards, as well as the SFP Multisource Agreement (MSA). The S155 transceivers provide with the LC receptacle that is compatible with the industry standard LC connector. The transceiver is also compatible with industry standard RFT connector and cage. It also includes a LOS (Loss Of Signal) circuit that provides a LVTTTL logic-high output when an unusable optical signal level is detected.

The Bi-Directional module includes 1310 or 1550 nm un-cool FP laser, InGaAs PIN, Preamplifier and WDM filter in a high-integrated optical assembly for high-density system application. The SFP Bi-Directional transceiver can upgrade transmission capacity very convenient without installing new fibers.



S155-series

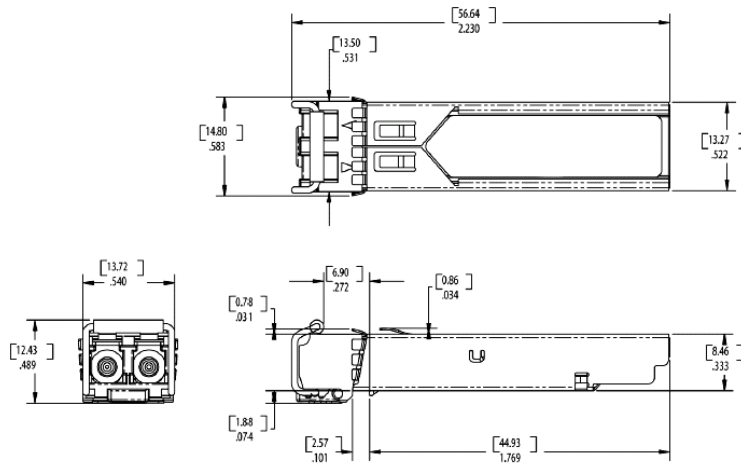
### Features:

- Up to 200 Mbps bi-directional data links
- Hot-pluggable SFP footprint
- 1310 and 1550 nm singlemode laser transmitter
- Duplex or single LC connector
- MM type available
- Low power dissipation
- DDM function support
- Metal enclosure, for lower EMI
- Operating temperature range: 0°C to 70°C

### Applications:

- 100M Ethernet
- FTTH networks

## Dimensions:



## Ordering Code:

Standard type	Description
M155-E30-LP-SX	MM 1300 nm LED 100M transceiver, SX, distance 2 km
S155-F31-LP-LX	SM 1310 nm FP 100M transceiver, LX, distance 10 km
<b>Bi-Di type</b>	
S155-W31-LP-LX	SM WDM 1310 nm TX, 1550 RX Bi-Di transceiver, LX, distance 10 km
S155-W55-LP-LX	SM WDM 1550 nm TX, 1310 RX Bi-Di transceiver, LX, distance 10 km

## SFP types:



S155-F31-LP-LX



S155-W55-LP-LX