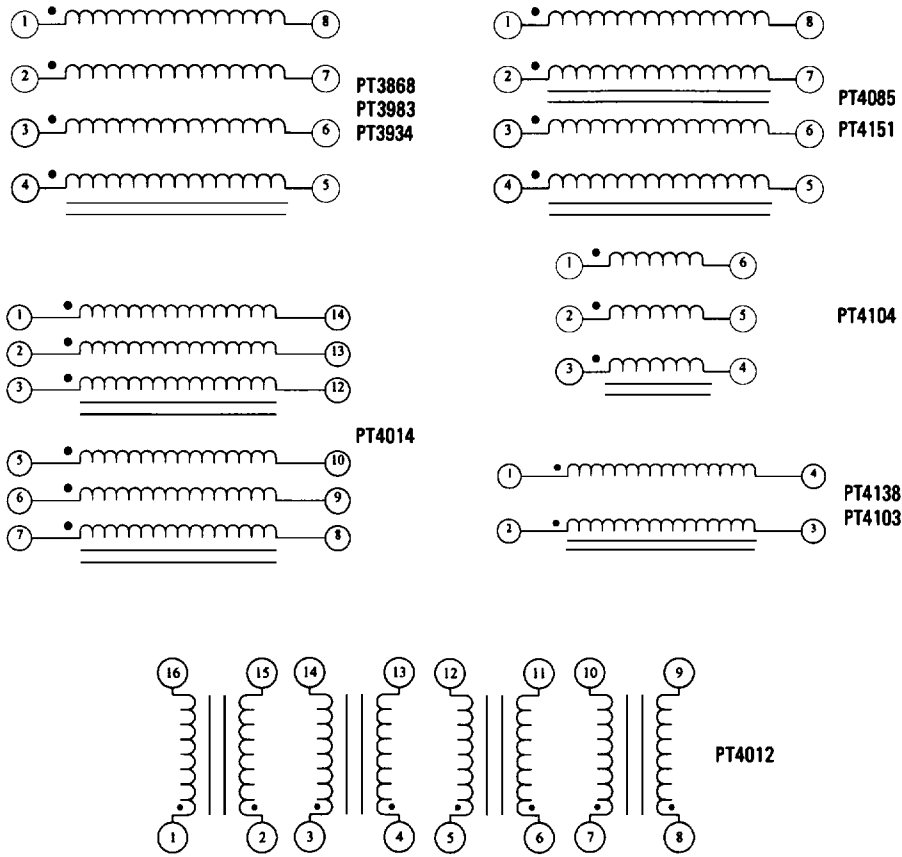


LAN Common Mode Chokes Through-Hole Configuration

Common Mode Chokes

Schematic Drawing



Valor's common mode chokes present a high impedance to common mode signals over a wide frequency range. These chokes are ideal for LAN applications including 10Base-T Token Ring and 100Mbps Ethernet.

Features:

- AVAILABLE IN THROUGH HOLE PACKAGING
- FOR USE WITH 10BASE-T, TOKEN RING AND 100MBPS
- PROVIDES SUPERIOR EMI SUPPRESSION

Electrical Specifications

Part Number Through Hole	OCL(MIN) (μH)	DCR(MAX) (Ω)	LL(MAX) (μH)	Pkg
PT3868	24	.2	.3	8 pin DIL
PT3983	36	.35	.3	8 pin DIL
PT4012	24	.3	.3	16 pin DIP
PT4014	68	.2	.2	14 pin DIP
PT4085	36	.35	.3	8 pin DIL
PT4103	81	.10	.3	4 pin DIL
PT4104	5	.11	.25	6 pin DIL
PT4138	150	.9	.3	4 pin DIL
PT4151	180	1.0	.3	8 pin DIL

All models must meet 2000 Vrms Hipot

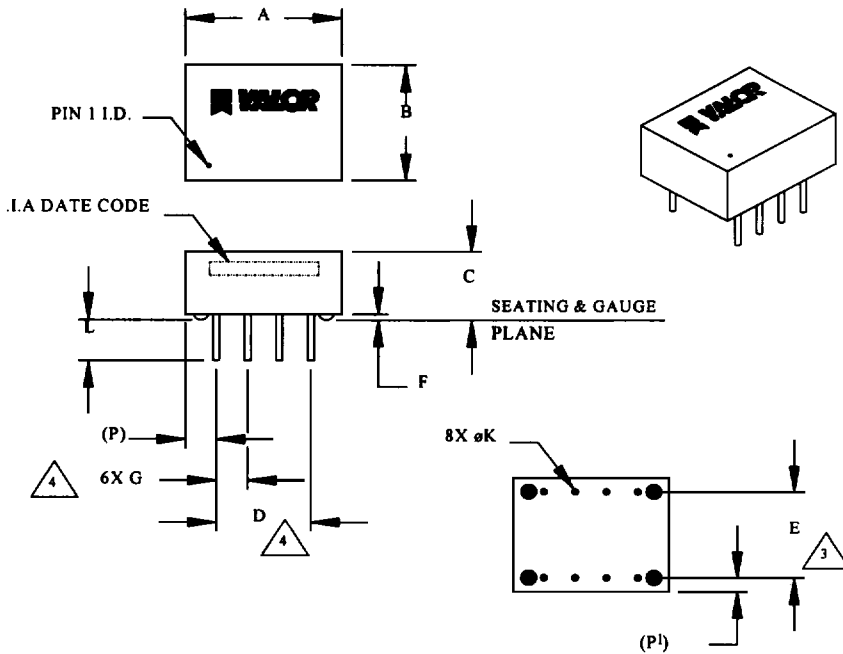


VAL05066

Common Mode Chokes

LAN Common Mode Chokes Through-Hole Configuration

PT3868, PT3983

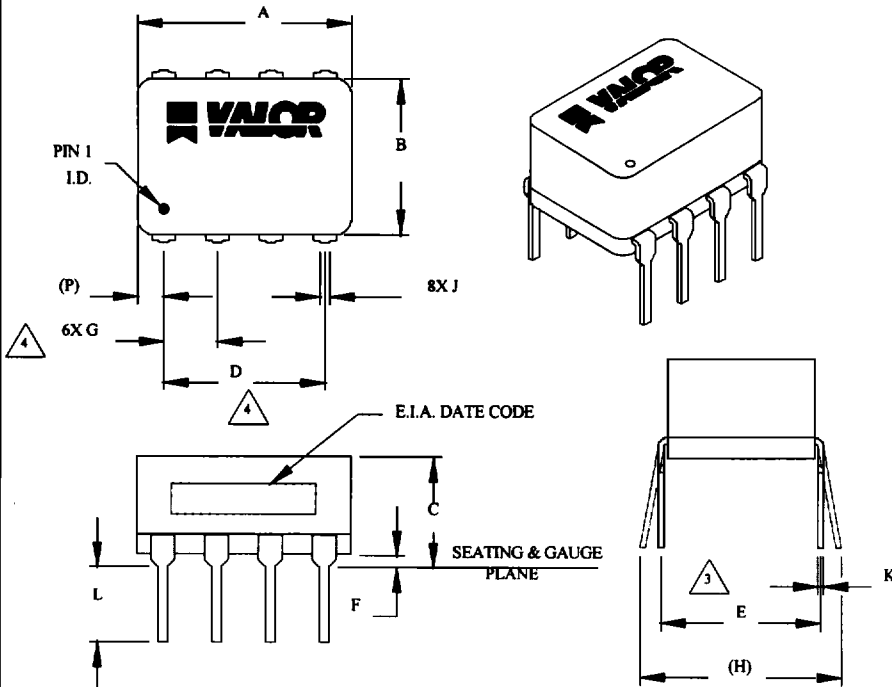


Dim	Inches		Millimeters	
	Min	Max	Min	Max
A	.487	.507	12.37	12.88
B	.386	.406	9.80	10.31
C	.215	.255	5.46	6.48
D	.300	(TP)	7.62	(TP)
E	.290	.310	7.37	7.87
F	.010	.030	.25	.76
G	.100	(TP)	2.54	(TP)
øK	.015	.025	.38	.64
L	.125	.150	3.18	3.81
(P)	.078	.118	1.98	3.00
(P1)	.027	.067	.69	1.70

NOTES:

1. Case: Black plastic self-extinguishing per UL94V-0.
2. Lead: Solderability per MIL-STD-202, Method 208.
3. Applies when unit installed at gauge plane.
4. Leads within .005 radius of true position at gauge plane with maximum material condition and unit installed.

PT3934



Dim	Inches		Millimeters	
	Min	Max	Min	Max
A	.390	4.10	9.91	10.41
B	.260	.280	6.60	7.11
C	.192	.212	4.88	5.38
D	.300	(TP)	7.62	(TP)
E	.285	.315	7.24	.800
F	.015	.035	.38	.89
G	.100	(TP)	2.54	(TP)
H	.350	.380	8.89	9.65
J	.015	.021	.38	.53
K	.007	.013	.18	.33
L	.125	.150	3.18	3.81
(P)	.029	.069	.74	1.75

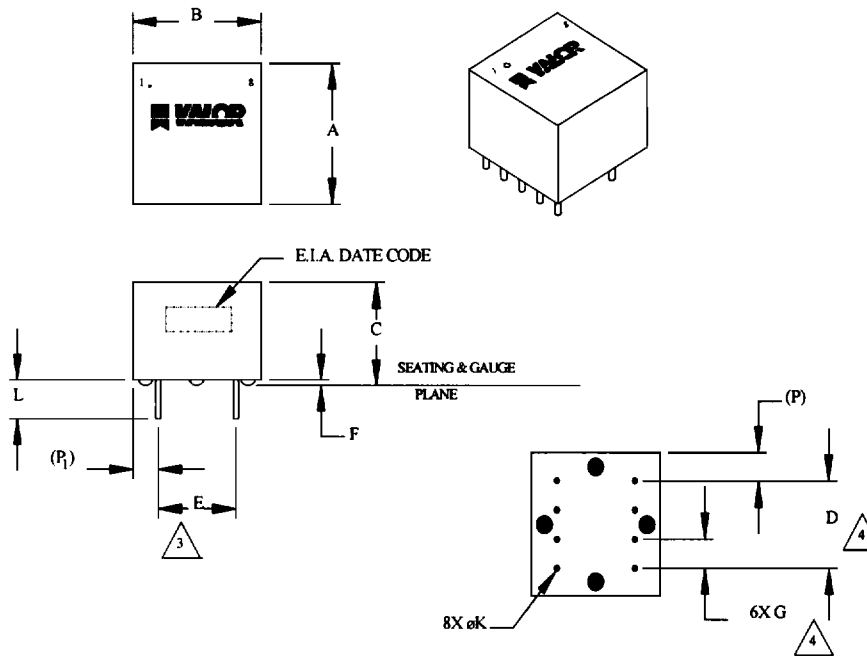
NOTES:

1. Case: Black plastic self-extinguishing per UL94V-0.
2. Lead: Solderability per MIL-STD-202, Method 208.
3. Applies when unit installed at gauge plane.
4. Leads within .005 (13) radius of true position at gauge plane with maximum material condition and unit installed.

LAN Common Mode Chokes Through-Hole Configuration

Common Mode Chokes

PT4085/PT4151

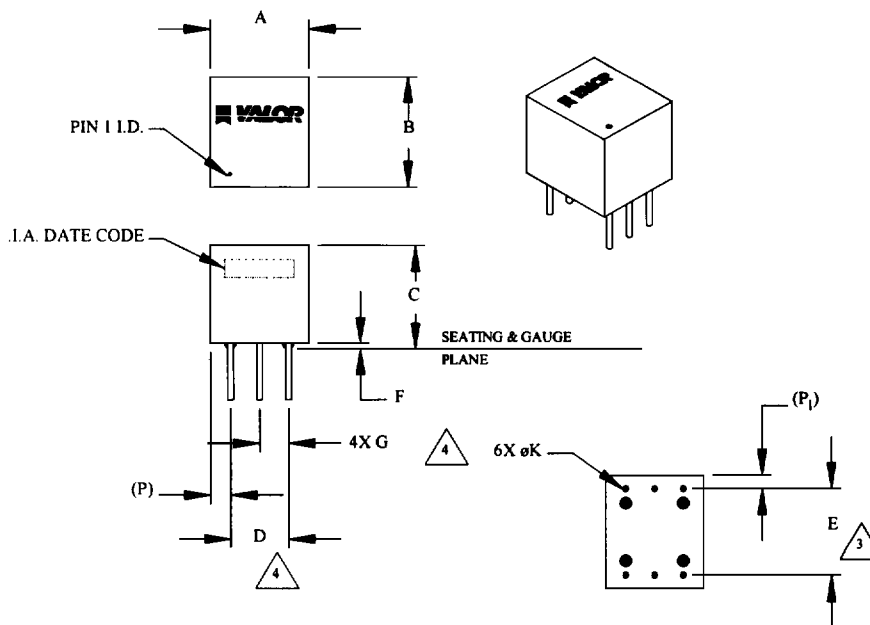


Dim	Inches		Millimeters	
	Min	Max	Min	Max
A	.487	.507	12.37	12.88
B	.487	.507	12.37	12.88
C	.352	.372	8.69	9.70
D	.300 (TP)		7.62 (TP)	
E	.290	.310	7.37	7.87
F	.010	.030	.25	.76
G	.100 (TP)		2.54 (TP)	
øK	.020	.030	.51	.76
L	.125	.150	3.18	3.81
(P)	.078	.118	1.98	3.00
(P1)	.078	.118	1.98	3.00

NOTES:

1. Case: Black plastic self-extinguishing per UL94V-0.
2. Lead: Solderability per MIL-STD-202, Method 208.
3. Applies when unit installed at gauge plane.
4. Leads within .005 (13) radius of true position at gauge plane with maximum material condition and unit installed.

PT4104



Dim	Inches		Millimeters	
	Min	Max	Min	Max
A	.333	.353	8.46	8.97
B	.383	.403	9.73	10.24
C	.340	.380	8.64	9.65
D	.200 (TP)		5.08 (TP)	
E	.290	.310	7.87	7.37
F	.010	.030	.25	.76
G	.100 (TP)		2.54 (TP)	
øK	.015	.025	.38	.64
L	.160	.200	4.06	5.08
(P)	.051	.091	1.30	2.31
(P1)	.026	.066	.66	1.68

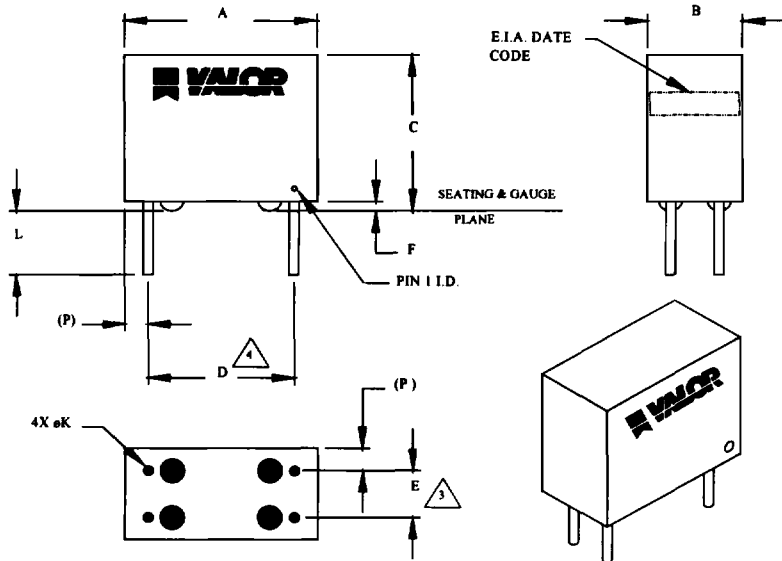
NOTES:

1. Case: Black plastic self-extinguishing per UL94V-0.
2. Lead: Solderability per MIL-STD-202, Method 208.
3. Applies when unit installed at gauge plane.
4. Leads within .005 radius of true position at gauge plane with maximum material condition and unit installed.

Common Mode Chokes

LAN Common Mode Chokes Through-Hole Configuration

PT4138;PT4103



Dim	Inches		Millimeters	
	Min	Max	Min	Max
A	.387	.407	9.83	10.34
B	.187	.207	4.75	5.26
C	.310	.350	7.87	8.89
D	.300 (TP)		7.62 (TP)	
E	.090	.110	2.29	2.79
F	.010	.030	.25	.76
øK	.015	.025	.38	.64
L	.125	.150	3.18	3.81
(P)	.028	.068	.71	1.73
(P1)	.028	.068	.71	1.73

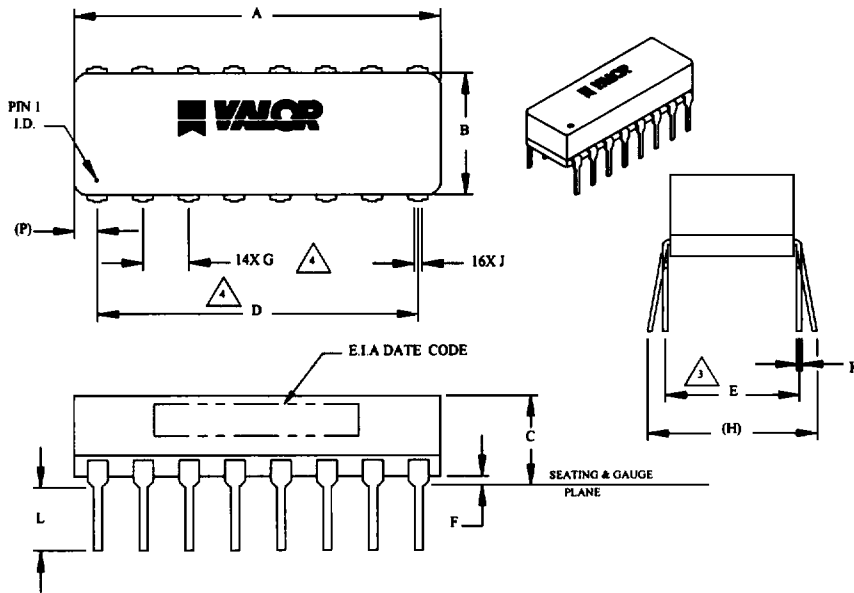
NOTES:

1. Case: Black plastic self-extinguishing per UL94V-0.
2. Lead: Solderability per MIL-STD-202, Method 208.
3. Applies when unit installed at gauge plane.
4. Leads within .005 (13) radius of true position at gauge plane with maximum material condition and unit installed.

LAN Common Mode Chokes Through-Hole Configuration

Common Mode Chokes

PT4012

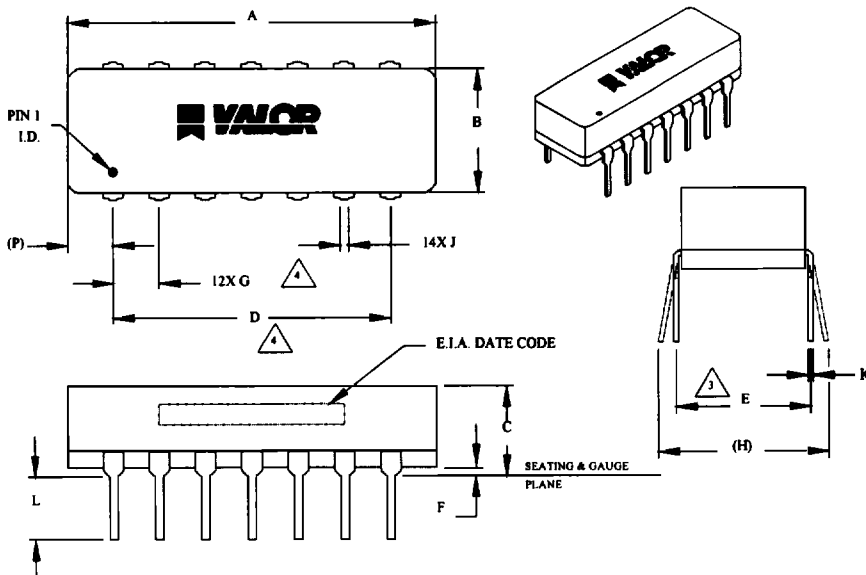


Dim	Inches		Millimeters	
	Min	Max	Min	Max
A	.790	.810	20.07	20.57
B	.260	.280	6.60	7.11
C	.188	.208	4.78	5.28
D	.700	(TP)	17.78	(TP)
E	.285	.315	7.24	8.00
F	.010	.030	.25	.76
G	.100	(TP)	2.54	(TP)
(H)	.350	.380	8.89	9.65
J	.015	.021	.38	.53
K	.007	.013	.18	.33
L	.125	.150	3.18	3.81
(P)	.029	.069	.74	1.75

NOTES:

1. Case: Black plastic self-extinguishing per UL94V-0.
2. Lead: Solderability per MIL-STD-202, Method 208.
3. Applies when unit installed at gauge plane.
4. Leads within .005 (.13) radius of true position at gauge plane with maximum material condition and unit installed.

PT4014



Dim	Inches		Millimeters	
	Min	Max	Min	Max
A	.790	.810	20.07	20.57
B	.260	.280	6.60	7.11
C	.188	.208	4.78	5.28
D	.600	(TP)	15.24	(TP)
E	.285	.315	7.24	8.00
F	.010	.030	.25	.76
G	.100	(TP)	2.54	(TP)
(H)	.350	.380	8.89	9.65
J	.015	.021	.38	.53
K	.007	.013	.18	.33
L	.125	.150	3.18	3.81
(P)	.079	.119	2.01	3.02

NOTES:

1. Case: Black plastic self-extinguishing per UL94V-0.
2. Lead: Solderability per MIL-STD-202, Method 208.
3. Applies when unit installed at gauge plane.
4. Leads within .005 (.13) radius of true position at gauge plane with maximum material condition and unit installed.

Common Mode Chokes

LAN Common Mode Chokes Through-Hole Configuration



Valor Electronics, Inc.
A GTI Company

NORTH AMERICA 9715 Business Park Avenue San Diego, CA 92131-1642 tel 800.31-VALOR fax 619.537.2525
ASIA Flat B, 7/F., K.K. Industrial Building 5 Mok Cheong Street Tokwawan, Kowloon, Hong Kong tel 852.2333.0127 fax 852.2363.6206
EUROPE Steinstraße 68, 81667 München Germany tel 49.89.4587040 fax 49.89.484743