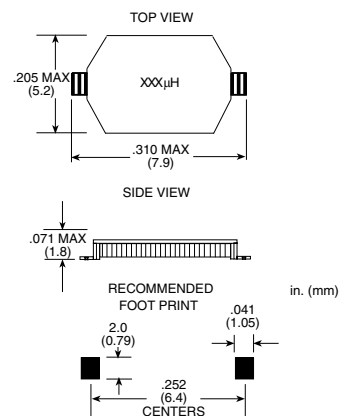


SMT1803 Toroidal Low Profile Power Inductors



PART NUMBER	L μ H \pm 20% @ 100 kHz	DCR OHMS MAX	SATURATION CURRENT* DCAMPS	CURRENT RATING** DCAMPS
SMT1803-470M	.47	.037	5.80	2.16
SMT1803-680M	.68	.037	4.83	2.16
SMT1803-101M	1.0	.059	3.63	1.71
SMT1803-151M	1.5	.074	3.22	1.53
SMT1803-221M	2.2	.092	2.64	1.37
SMT1803-331M	3.3	.107	2.23	1.27
SMT1803-471M	4.7	.125	1.81	1.18
SMT1803-681M	6.8	.156	1.53	1.05
SMT1803-821M	8.2	.175	1.54	1.00
SMT1803-102M	10	.181	1.42	.98
SMT1803-152M	15	.214	1.16	.90
SMT1803-222M	22	.384	.97	.67
SMT1803-332M	33	.595	.79	.54
SMT1803-472M	47	.930	.66	.43
SMT1803-682M	68	1.13	.54	.39
SMT1803-822M	82	1.28	.50	.37
SMT1803-103M	100	2.18	.45	.28



NOTES:

- Operating temperature -55°C to +125°C
- *Saturation current is the approximate value that will reduce the initial inductance by 50%
- **Rated current is based on a 40°C temperature rise at an ambient temperature of 85°C.

TAPE AND REEL SPECS:

Pcs./Reel maximum:	3600
Pitch between parts:	8 mm
Tape width:	16 mm
Reel diameter inches:	13