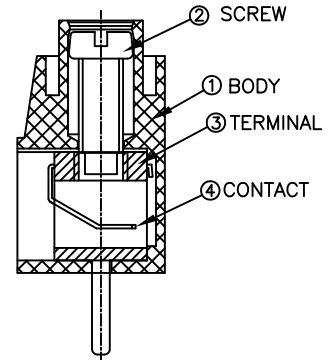
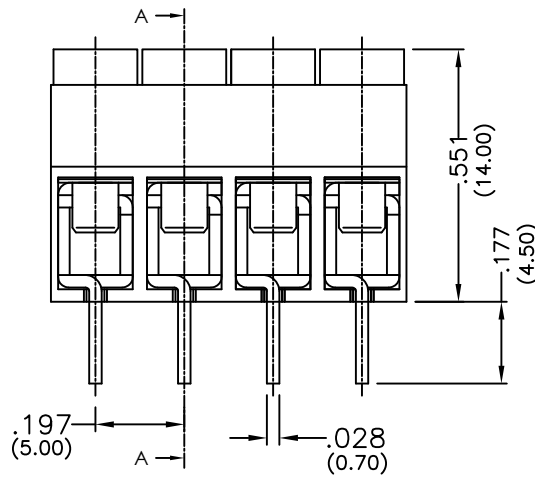
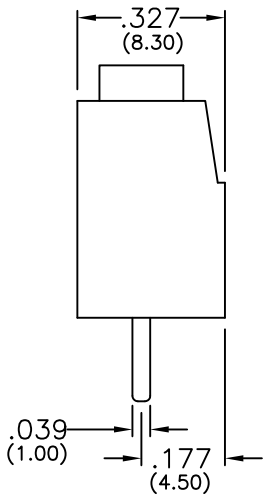
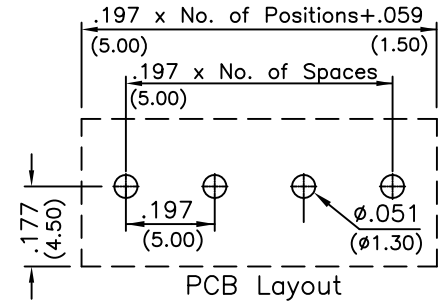
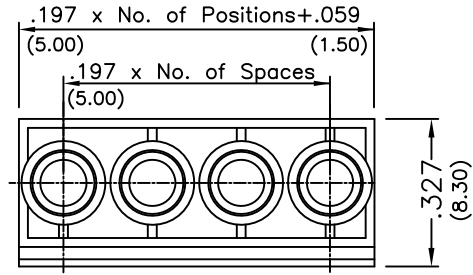


Major League Electronics .197 cl Wire Protector Terminal Blocks



Section A-A

Ordering Information

TBW-08-197-XX-XX-LF

Lead Free

Color

- GR = Green (Standard)
- BK = Black
- BL = Blue
- WH = White
- GY = Grey
- OR = Orange
- YW = Yellow
- RD = Red
- BR = Brown

Pitch
197 = .197 (5.00) cl

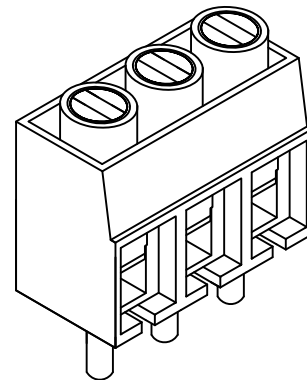
No. of Positions
02 - 24

Specifications

- Current Rating: 10 Ampere
- Voltage Rating: AC 250V
- Wire Range: 12-18 AWG
- Dielectric Withstanding Voltage: AC 2500V/1 minute
- Insulation Resistance: DC 500V 500MΩ
- Operating Temperature: -33°C to + 105°C
- Max Torque: 3.47 lb-in (4.0kgf. cm)
- Strip Length: .197-.236 (5-6mm)

Materials

1. Body: PA66 (Nylon), UL94 V-0
2. Screw: M2.5, C1018 Steel, Zinc Plated
3. Terminal: H62 Brass, Tin Plated
4. Contact: SUS301 Stainless Steel



Parts are subject to change without notice

TBW-08-197-XX-XX-LF

.197cl Wire Protector Terminal Block
Non-Interlock

04 DEC 08

Scale
NTS

UNLESS OTHERWISE SPECIFIED
DIMENSIONS IN INCHES (MM)
TOLERANCES IN INCHES:

ONE DECIMAL PLACE ±0.30
TWO DECIMAL PLACE ±0.20
THREE DECIMAL PLACE ±0.15
FOUR DECIMAL PLACE ±0.10



4235 Earnings Way, New Albany, Indiana, 47150, USA
1-800-782-3486 (USA/Canada/Mexico)
Tel: 812-944-7244
Fax: 812-944-7268
E-mail: mle@mlelectronics.com
Web: www.mlelectronics.com

Revision
C

Sheet
1/2


Revisions

Revision B - (27th Mar 2009)

Wire Range changed from 14 - 26 AWG to 12 - 18 AWG

Revision C - (22nd Mar 2010)

'No. of Positions' formula amended,
Side view added

<small>UNLESS OTHERWISE SPECIFIED DIMENSIONS IN INCHES (MM) TOLERANCES IN INCHES:</small> <small>ONE DECIMAL PLACE ±0.30 TWO DECIMAL PLACE ±0.20 THREE DECIMAL PLACE ±0.15 FOUR DECIMAL PLACE ±0.10</small>	TBW-08-197-XX-XX-LF 	.197cl Wire Protector Terminal Block Non-Interlock 4235 Earnings Way, New Albany, Indiana, 47150, USA 1-800-782-3486 (USA/Canada/Mexico) Tel: 812-944-7244 Fax: 812-944-7268 E-mail: mle@mlelectronics.com Web: www.mlelectronics.com	04 DEC 08 Scale NTS Revision C Sheet 2/2
--	---	--	--