

## TL2272-95 3<sup>8</sup> Decoder Doorbell

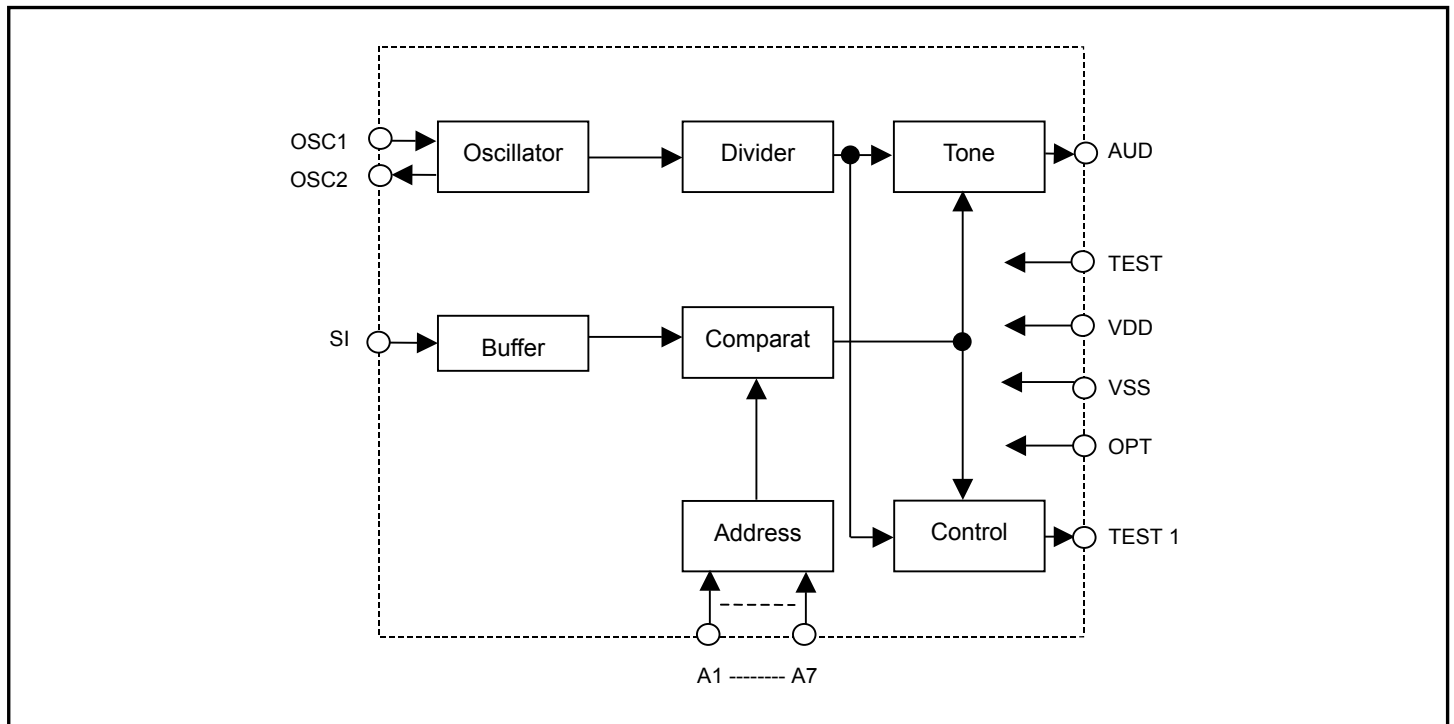
### GENERAL DESCRIPTION

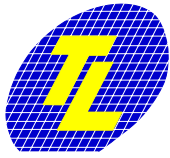
The main application area for the TL2272-95 device is for remote control doorbells working together with TL2262. Containing all the functions of the TL2272 decoder and melody generator, the device eliminates the need for customers to incorporate an external op-amp and melody generator IC within their product applications, in the process significantly reducing overall product costs. In addition to being fully compatible with the TL2272 circuitry, the device includes the following features; Internal 2 channel tone generator and current type audio output.

### FEATURES

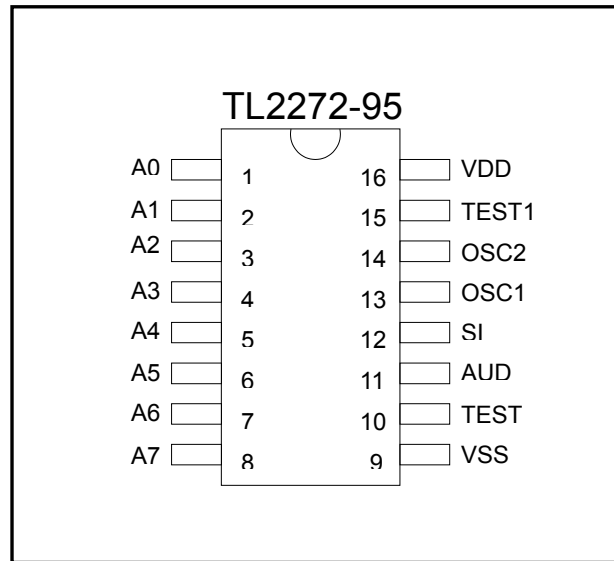
1. Operating voltage: 2.4V~5.0V
2. 2 channel dual tone generator
3. On chip RC oscillator
4. Current type D/A output
5. TL2262 encoder pair with
6. Tone optional :  
D0 : Ding-Dong Ding-Dong  
D1 : Ding-Ding Ding-Ding  
D2 : Westminster Tunes  
D3 : For Alice
7. 16-pin DIP package

### BLOCK DIAGRAM





PIN ASSIGNMENT



PIN DESCRIPTION

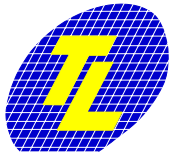
Pin No.	Pin Name	I/O	Description
1~8	A0~A7	I	Address pin
9	VSS	-	Negative power supply
10	TEST	I	Test pin
11	AUD	O	Audio output
12	SI	I	Serial data input
13	OSC1	I	Oscillator input pin
14	OSC2	O	Oscillator output pin
15	TEST1	I	Test pin
16	VDD	-	Positive power supply

DC CHARACTERISTICS

VDD=4.5V, Fosc=80KHz, TA=25 °C (unless otherwise noted.)

Symbol	Parameter	Min.	Typ.	Max.	Unit	Remark
V <sub>DD</sub>	Operating voltage	2.4	-	5	V	
I <sub>STB</sub>	Standby current	-	2	-	uA	Oscillator stop, @V <sub>DD</sub> =4.5V
I <sub>DD</sub>	Operating current	-	0.3	1	mA	No load, @V <sub>DD</sub> =4.5V
I <sub>AUD</sub>	AUD output current	3	5	-	mA	
V <sub>IH</sub>	High input voltage	3.5	-	5	V	
V <sub>IL</sub>	Low input voltage	0	-	1	V	
F <sub>OSC</sub>	Oscillator frequency	-	80	-	KHz	External Rosc 270KΩ
T <sub>emp.</sub>	Operating temperature	0	25	60	°C	

\* All specs and applications shown above subject to change without prior notice.  
(以上電路及規格僅供參考, 本公司得逕行修正)

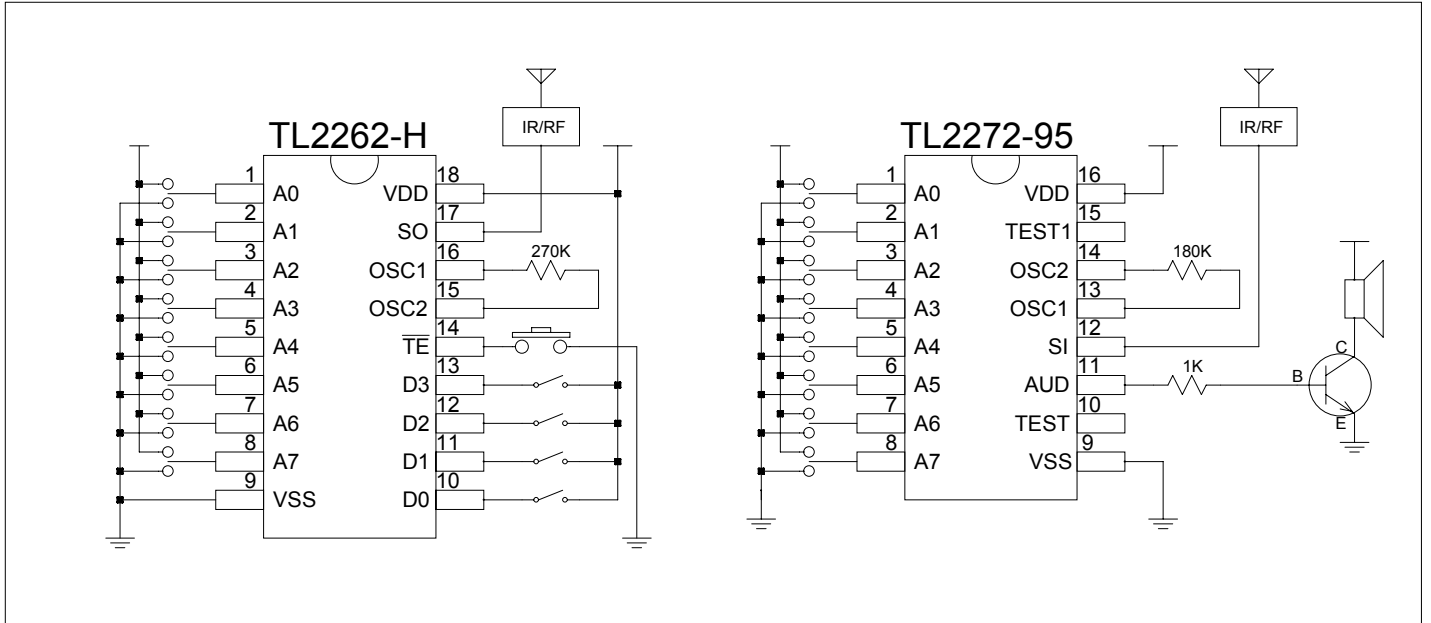


### FUNCTIONAL DESCRIPTION

The sound is determined by the D0~D11 pins on the TL2262.

	D0=1	D1=1	D2=1	D3=1
TONE	Ding-Dong Ding-Dong	Ding-Ding Ding-Ding	Westminster tunes	For Alice

### APPLICATION DIAGRAM



\* All specs and applications shown above subject to change without prior notice.  
 ( 以上電路及規格僅供參考, 本公司得逕行修正)