

**SPECIFICATIONS**

**Mechanical**

**Contact Retention Force:** 4.9 N min. per pin  
**Contact Insertion Force:** 1.15 N max. per contact pair  
**Contact Removal Force:** 0.15 N min per contact pair  
**Durability:** 50 Cycles

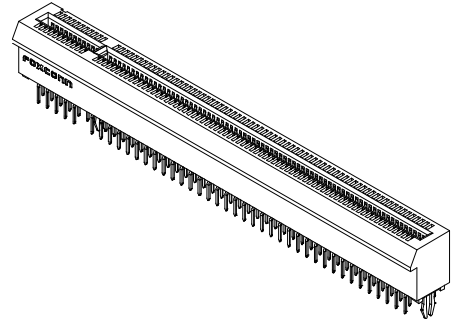
**Electrical**

**Current Rating:** 1.1A min. per pin  
**Contact Resistance:** 30 mW max. initial, 50 mW max. after test  
**Dielectric Withstanding Voltage:** 500V AC min. at Sea Level  
**Insulation Resistance:** 1000MW min.

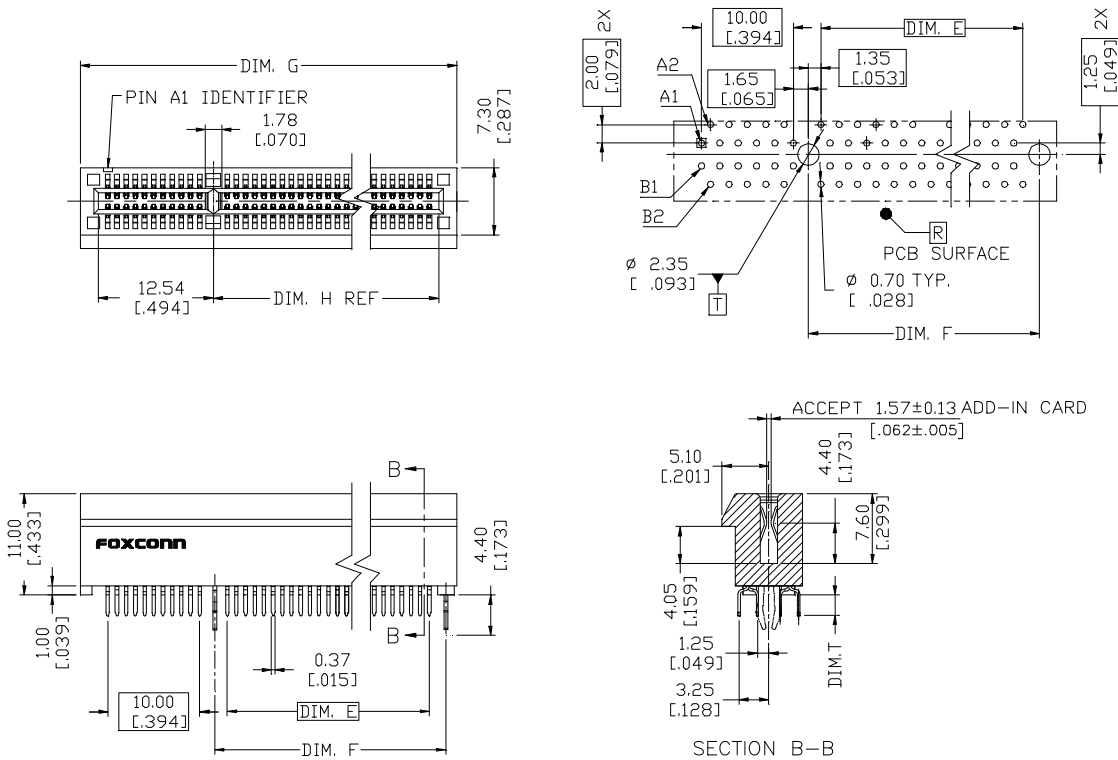
**Physical**

**Housing:** Thermoplastic, UL 94V-0 rated, in Black Color  
**Contact:** Copper alloy  
**Hook:** Copper alloy  
**Plating:** See "ORDERING INFORMATION"  
**Operating Temperature:** -40 to +105

**2EG Series**  
**Vertical Type**  
**1. 00mm [.039"] Pitch**  
**36 Pos. (1X)**  
**64 Pos. (4X)**  
**98 Pos. (8X)**  
**164 Pos. (16X)**



**DRAWING**



**ORDERING INFORMATION**

**PRODUCT NO.:** 2EG 0 \*\* \* \* - D3D - \*\*

**Product Series:**  
 2EG= PCI Express

**Terminal Type:**  
 0= Vertical Type

**No. Of Pos.:**  
 18= 36 Positions  
 32= 64 Positions  
 49= 98 Positions  
 82= 164 Positions

**Tail Length:**  
 1= 2.30 mm  
 2= 3.10 mm

**Plating Type:**  
 DF= Lead Free

**Extension Code:**

**Contact Area Gold Plating:**  
 1= Gold Flash  
 7= 15u" Gold  
 3= 30u" Gold

2EG082**-D3D-**	70.00	73.15	89.00	72.54	2.30	3.10
2EG049**-D3D-**	37.00	40.15	56.00	39.54		
2EG032**-D3D-**	20.00	23.15	39.00	22.54		
2EG018**-D3D-**	6.00	9.15	25.00	8.54		
PART NUMBER	DIM. E	DIM. F	DIM. G	DIM. H	1.57 PCB	2.36 PCB
					DIM. T	