

**MICRO SWITCH**

FREEPORT, ILLINOIS, U.S.A.  
A DIVISION OF HONEYWELL

FED. MFG. CODE 91929

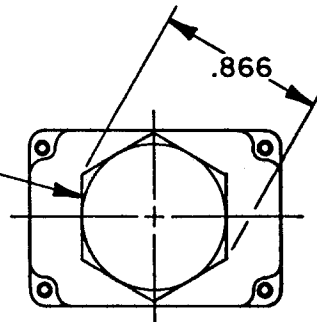
**SWITCH-TOGGLE**

CATALOG LISTING  
**2TL143 SERIES**

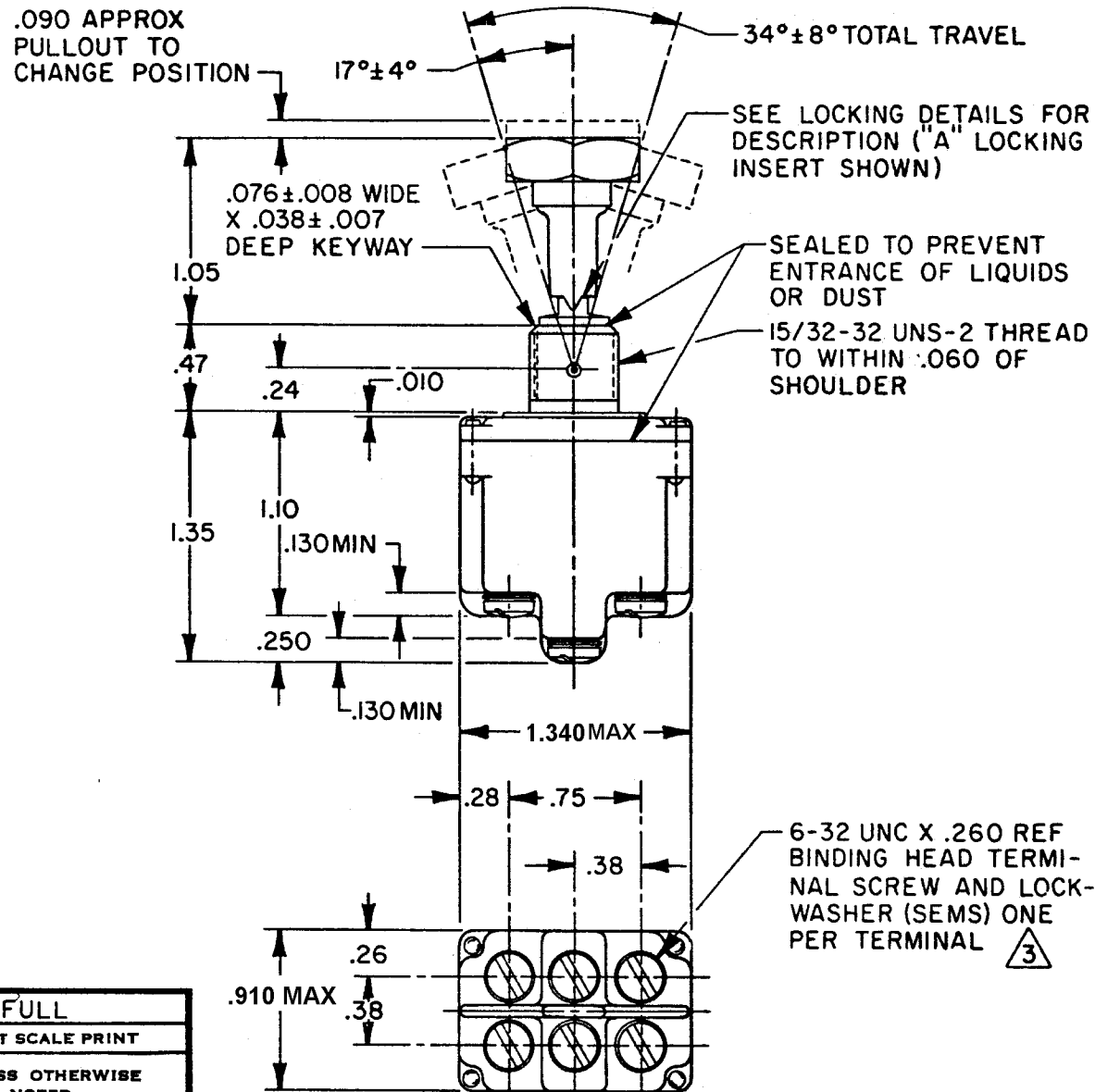
**CHART 1**

THIS DRAWING COVERS A PROPRIETARY ITEM AND IS THE PROPERTY OF MICRO SWITCH, A DIVISION OF HONEYWELL. THIS DRAWING IS NOT TO BE COPIED OR USED WITHOUT THE APPROVAL OF MICRO SWITCH.

NICKEL PLATED BUTTON  
ACTUATOR .76 ACROSS  
FLATS X .25 THICK

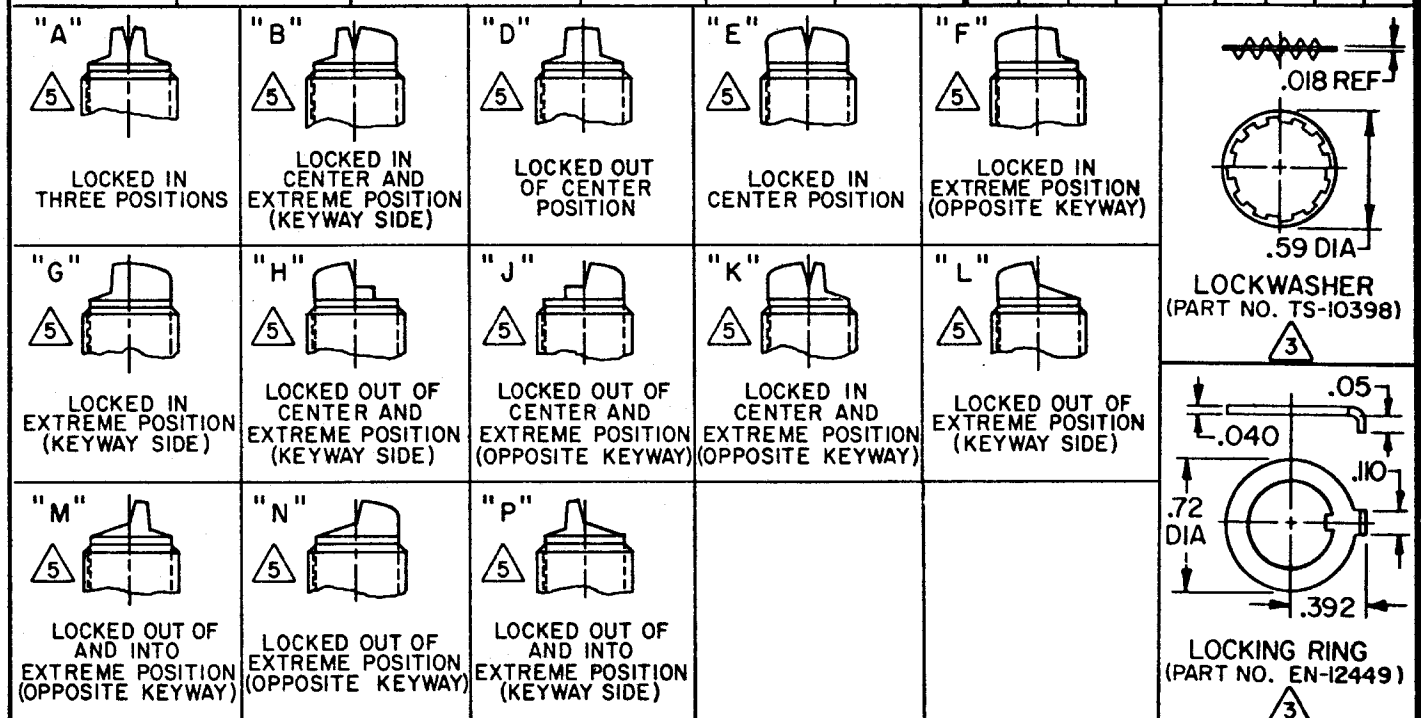


.090 APPROX  
PULLOUT TO  
CHANGE POSITION



6-32 UNC X .260 REF  
BINDING HEAD TERMI-  
NAL SCREW AND LOCK-  
WASHER (SEMS) ONE  
PER TERMINAL

CATALOG LISTING	AVAILABLE LOCKING COMBINATIONS FOR CONFIGURATION SEE LETTERING DETAILS	CIRCUIT MADE WITH TOGGLE LEVER IN			CURRENT CAPACITY (AMPS)								
		KEYWAY SIDE (1-2,4-5)	CENTER (1-2,4-5)	OPPOSITE KEYWAY (2-3,5-6)	RESISTIVE LOAD		LAMP LOAD		IND. LOAD				
		DC VOLTS	AC VOLTS	DC VOLTS	AC VOLTS	DC VOLTS	AC VOLTS	DC VOLTS	AC VOLTS				
2TL143-1	AB,DE,FG,H,JK,L,M,NP	ON	OFF	ON									
2TL143-2	D, F, G	OFF	NONE	ON									
2TL143-3	D, F, G	ON	NONE	ON	20	.75	.5	15	6	7	4	15	15
2TL143-2I	E, F, K, M	NONE	OFF	ON	(REFER TO L191 UL RATING)								
2TL143-3I	E, F, K, M	NONE	ON	ON									
2TL143-4	F	MOM OFF	NONE	ON									
2TL143-5	E, F, K, L, M, N	MOM ON	OFF	ON									
2TL143-6	F	MOM ON	NONE	OFF									
2TL143-7	E, L, N	MOM ON	OFF	MOM ON	18	.75	.5	11	6	5	2	10	8
2TL143-8	F	MOM ON	NONE	ON	(REFER TO L192 UL RATING)								
2TL143-4I	F	NONE	MOM OFF	ON									
2TL143-6I	E	MOM ON	OFF	NONE									



- NOTES**
- SWITCHES ARE CAPABLE OF WITHSTANDING A TEMPERATURE OF 160°F CONTINUOUSLY AT FULL RATED LOAD
  - CIRCUIT DESIGNATION AND MICRO SWITCH CATALOG LISTING MARKED ON SIDE OF SWITCH
  - FURNISHED UNASSEMBLED
  - FOR TERMINAL COVER SEE MICRO SWITCH CAT. LIST. 5PA8
  - KEYWAY SHOWN ON LEFT SIDE
  - SUFFIX LETTER MUST BE ADDED FOR DESIRED TYPE OF TOGGLE LOCKING. SEE CHART FOR AVAILABLE LOCKING COMBINATIONS
  - APPLIES ONLY TO "ON" AND "MOMENTARY ON" POSITIONS

SCALE FULL  
DO NOT SCALE PRINT  
UNLESS OTHERWISE NOTED  
DIMENSIONS ARE IN INCHES

TOLERANCES ARE:	L191	L192
ONE PLACE (.0)	±.030	
TWO PLACE (.00)	±.015	
THREE PLACE (.000)	±.005	
ANGLES		
WEIGHT .18 LB APPROX		

CATALOG LISTING 2TL143 SERIES CHART 1  
 PAGE 1 OF 1  
 ISSUE 4  
 REVISIONS: A 178047 23 AUG 94, B REINST 200024 20 JAN 00, C 0003048  
 CHECK 09 FEB 04  
 MDM 09 FEB 04  
 CHECK KAG 7 JUL 94  
 TSM 9 JUN 94  
 FORMTEK  
 DRAWN  
 RELEASE NO. CO-78497 REPLACES 2TL143 SERIES