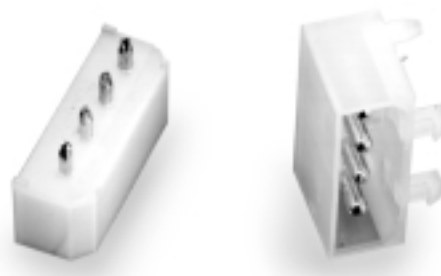


FOUR POSITION DISK DRIVE POWER INTERCONNECTION SYSTEM RIGHT ANGLE AND STRAIGHT THRU HOLE PCB MOUNTED HEADERS



PHYSICAL PROPERTIES

INSULATION MATERIAL: Glass reinforced thermoplastic rated UL 94V-0.

OXYGEN INDEX: 32

CONTACTS: Copper alloy, tin lead plated over nickel, tin/lead on solder tails.

ELECTRICAL PROPERTIES

CURRENT RATING: 6 Amps/Pin

INSULATION RESISTANCE: $>1 \times 10^9$ Ohms

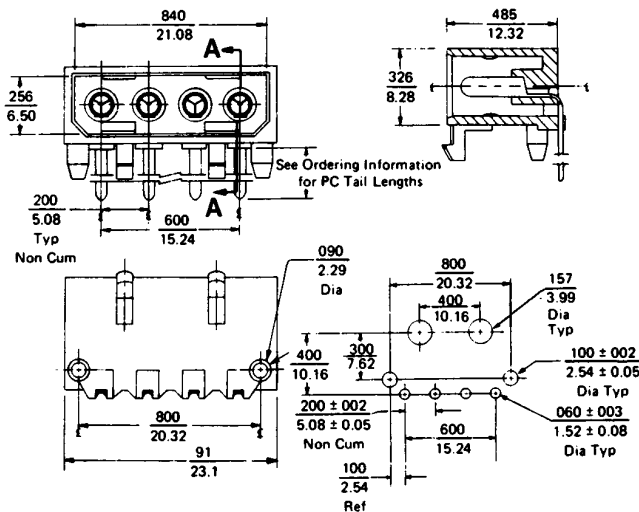
DIELECTRIC STRENGTH: >1500 VAC

VOLTAGE RATING: 250 VAC

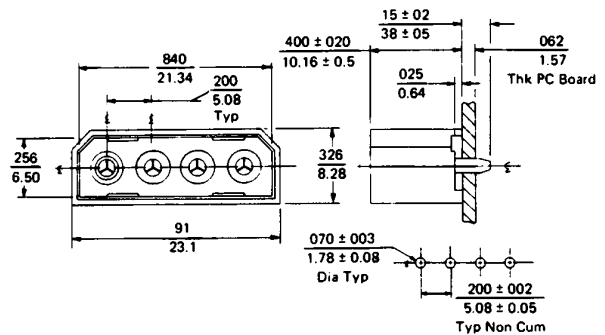
ENVIRONMENTAL PROPERTIES

TEMPERATURE RATING: -40°C to 105°C

Right Angle 9090-4R



Vertical 9090-4V



Ordering Information

PART NUMBER	DESCRIPTION	PC TAIL LENGTH
9090-4V	Vertical Mount	3.8 (.15)
9090-4R	Right Angle	3.6 (.14)