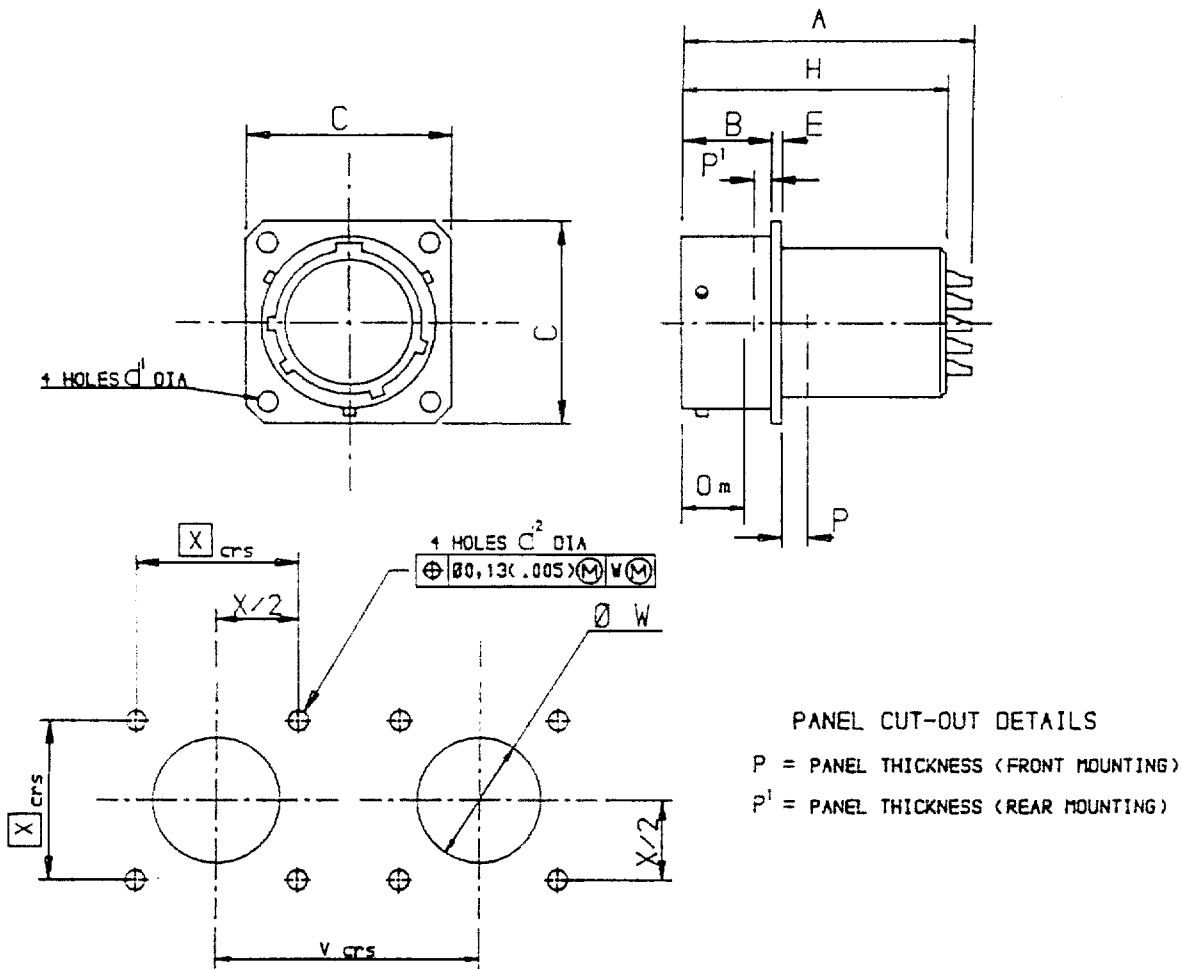


# Style: ABF5-2100 Filter Receptacle Square Flange, No Provision For Accessory.



Shell size	A max	B max	C max	E max	H max	V ctrs min	W min	X ctrs (TP)	d1 dia	d2 dia	O <sub>m</sub> min o'lap	P max	P1 max
08	35.5	11.5	21.1	2.0	31.7	22.6	14.43	15.09	3.05	3.12	7.3	8.5	2.21
10	35.5	11.5	24.3	2.0	31.7	25.4	17.40	18.26	3.05	3.12	7.3	8.5	2.21
12	35.5	11.5	26.6	2.0	31.7	29.7	21.95	20.62	3.05	3.12	7.3	8.5	2.21
14	35.5	11.5	29.0	2.0	31.7	33.0	25.12	23.01	3.05	3.12	7.3	8.5	2.21
16	35.5	11.5	31.5	2.0	31.7	38.1	28.27	24.61	3.05	3.12	7.3	8.5	2.21
18	35.5	11.5	33.8	2.0	31.7	40.9	31.45	26.97	3.05	3.12	7.3	8.5	2.21
20	38.1	14.6	37.1	2.8	34.1	43.9	34.62	29.36	3.05	3.12	8.9	8.5	5.38
22	38.1	14.6	40.2	2.8	34.1	46.7	37.80	31.75	3.05	3.12	8.9	8.5	5.38
24	38.1	14.6	43.5	2.8	34.1	50.0	41.02	34.93	3.73	3.81	8.9	8.5	5.38

All dimensions in mm