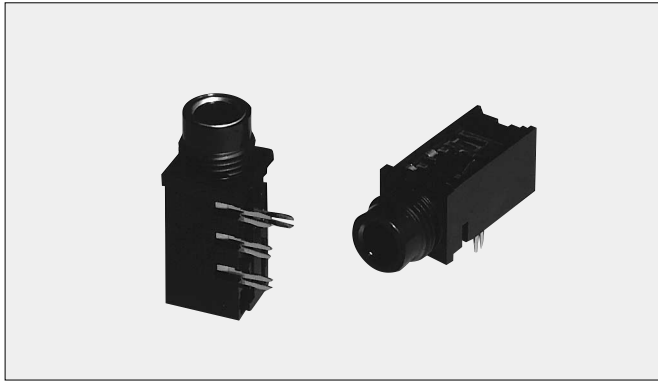


Phone Jack, MS-1 Series

Features



1. Readily adaptable to either monaural or stereo circuits, which helps standardize jacks allowing to keep inventory levels low.
2. Choice of with or without a sleeve metal version is available.
3. Choice of with or without a top cover version is available.

Numbering System

L G R 4 6 □ **9** - **7** □ **0** □

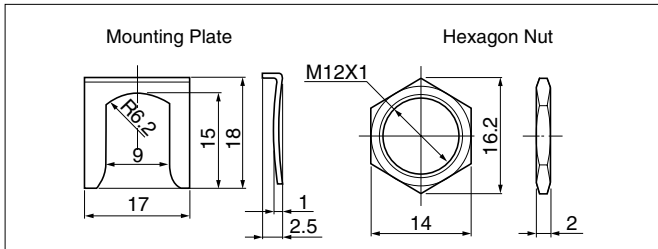
(Metal Sleeve)
0 : Without Metal
1 : With Metal

(Cover)
0 : Without
5 : With

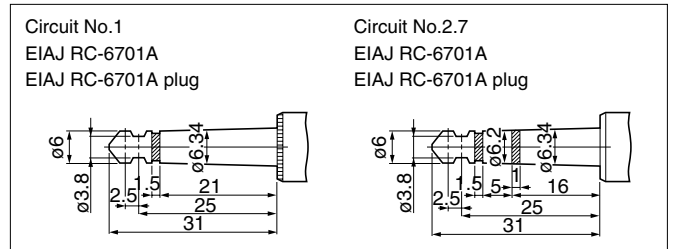
(Accessories)
0 : None
1 : Mounting Plate
2 : Hexagon Nut

Cover	Without Metal	With Metal
With	LGR4609-750 □	LGR4619-750 □
Without	LGR4609-700 □	LGR4619-700 □

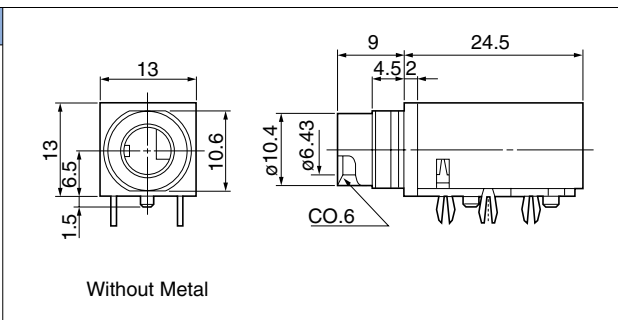
Accessories



Applicable Plug



LGR4609-7000



LGR4619-7500

