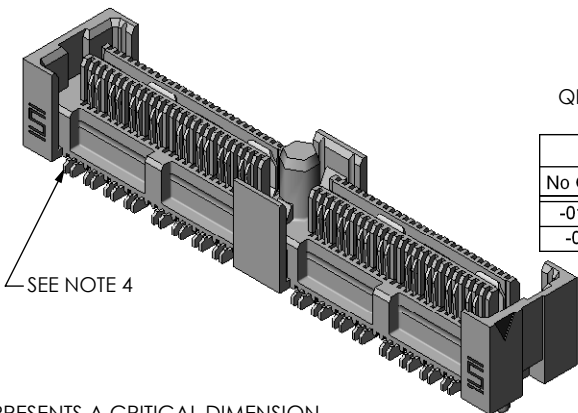


FIG. 1
QFS-032-04.25-X-D-DP-A SHOWN

TABLE 1		
No OF POSITIONS	No OF BANKS	COPLANARITY
-016 THRU -048	1 THRU 3	.004[.10]
-064 AND -080	4 AND 5	.006[.15]



QFS-XXX-XX.XX-X-D-DP-XX-XXX-XX

No OF POSITIONS
-016, -032, -048,
-64, *-80
(PER ROW)

LEAD STYLE
-04.25

PLATING SPECIFICATION
-L: LIGHT GOLD (USE C-181-04.25-L)
-H: HEAVY GOLD (USE C-181-04.25-H)
-S: SELECTIVE GOLD (USE C-181-04.25-S)
-SL: LIGHT SELECTIVE GOLD
(USE C-181-04.25-SL)
(ALL PLATING STYLES
USE T-1G20-04.25-L)

Q

ROW SPECIFICATION
-D: DOUBLE

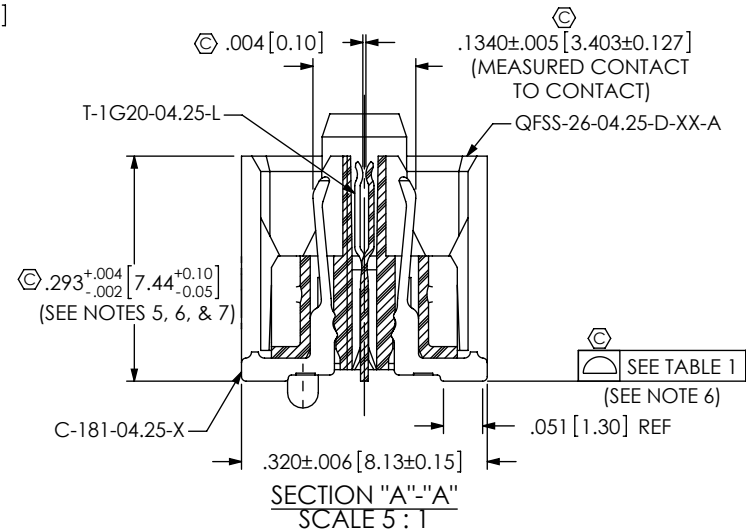
-DP: DIFFERENTIAL PAIRS

OPTION
-A: ALIGNMENT PIN
(NOT AVAILABLE WITH -PXX OR -RFX)
-GP: GUIDE POSTS
(SEE FIG. 2, SHEET 2)
(NOT AVAILABLE WITH -PXX, -RFX,
OR -RT1)

* = NOT TOOLED

PACKAGING OPTION
-TR: TAPE & REEL PACKAGING
(-016 THRU -048 WITH NO OPTIONS)
(-016 & -032 WITH -GP, -PXX, -RF1, RT1)
(-016 WITH RF2)

OPTION
-PC4: 4 POWER POS PER END (.062" THICK BOARD)
(SEE FIG. 3, SHEET 3)
-PC8: 8 POWER POS PER END (.062" THICK BOARD)
(SEE FIG. 3, SHEET 3)
-PT4: 4 POWER POS PER END (.093" THICK BOARD)
(SEE FIG. 3, SHEET 3)
-PT8: 8 POWER POS PER END (.093" THICK BOARD)
(SEE FIG. 3, SHEET 3)
-RF1: 1 RF POS PER END
(SEE FIG. 4, SHEET 4)
-RF2: 2 RF POS PER END
(SEE FIG. 5, SHEET 4)
-RT1: 1 RT POS PER END
(SEE FIG. 6, SHEET 5)
-P: PICK AND PLACE PAD
(USE PPP-51, SEE FIG. 7, SHEET 2)
**[PXX NOT AVAILABLE IN
COMBINATION WITH -A OR -GP]
[PXX AVAILABLE ON POSITIONS
-016, -032 & -048 ONLY]**



NOTES:

- ⊕ REPRESENTS A CRITICAL DIMENSION.
- BURR ALLOWANCE: .0015[0.038] MAX.
- MINIMUM PUSHOUT FORCE: SIGNAL: .5 LB, GROUND: 1 LB, POWER: .5 LB, RF: .5 LB.
- CONTACTS WILL BE SHEARED FOR ALL POSITIONS & ALL STYLES FOR THE QFS.
- MAX VARIANCE OF .002[0.05].
- DIMENSION APPLIES TO CONTACTS & GROUND PLANE.
- GROUND PLANE PRESS HEIGHT MUST BE .003 [.08] LESS THAN THE MAX HEIGHT OR .001 [.03] GREATER THAN THE MINIMUM HEIGHT OF THE TERMINAL.
- PARTS TO BE PACKAGED IN TRAYS

UNLESS OTHERWISE SPECIFIED, DIMENSIONS ARE IN INCHES. TOLERANCES ARE:
DECIMALS ANGLES
.XX: ±.01 [.3] 2°
.XXX: ±.005 [.13]
.XXXX: ±.0020 [.051]

PROPRIETARY NOTE
THIS DOCUMENT CONTAINS INFORMATION CONFIDENTIAL AND PROPRIETARY TO SAMTEC, INC. AND SHALL NOT BE REPRODUCED OR TRANSFERRED TO OTHER DOCUMENTS OR DISCLOSED TO OTHERS OR USED FOR ANY PURPOSE OTHER THAN THAT WHICH IT WAS OBTAINED WITHOUT THE EXPRESSED WRITTEN CONSENT OF SAMTEC, INC.



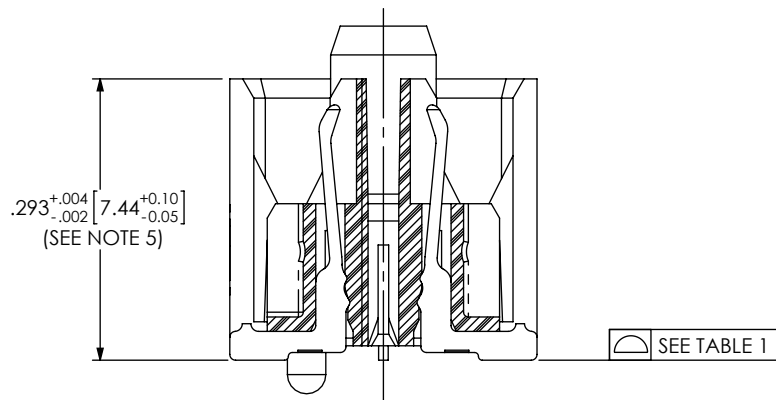
520 PARK EAST BLVD. NEW ALBANY, IN 47150
PHONE: 812-944-6733 FAX: 812-948-5047
e-Mail: info@SAMTEC.com code: 55322

MATERIAL: DO NOT SCALE DRAWING SHEET SCALE: 2.25:1
INSULATOR: VECTRA E130, COLOR: BLACK
CONTACTS & GROUND PLANE: PHOS BRONZE

DESCRIPTION:
.635mm DIFFERENTIAL PAIRS TERMINAL STRIP

DWG. NO.
QFS-XXX-XX.XX-X-D-DP-XX-XXX-XX

BY: BRATCHER 08/08/2003 SHEET 1 OF 5



CONTACT DETAILS
SEE NOTE 4
(ALL CONTACTS SHEARED FOR QFS)

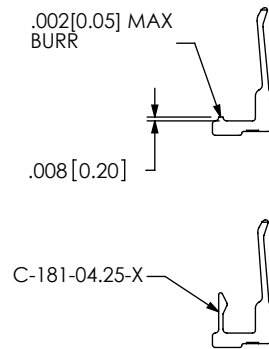


TABLE 2

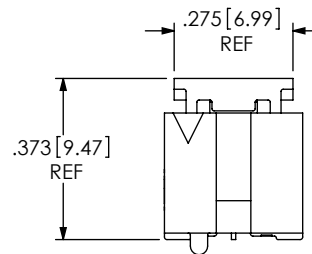
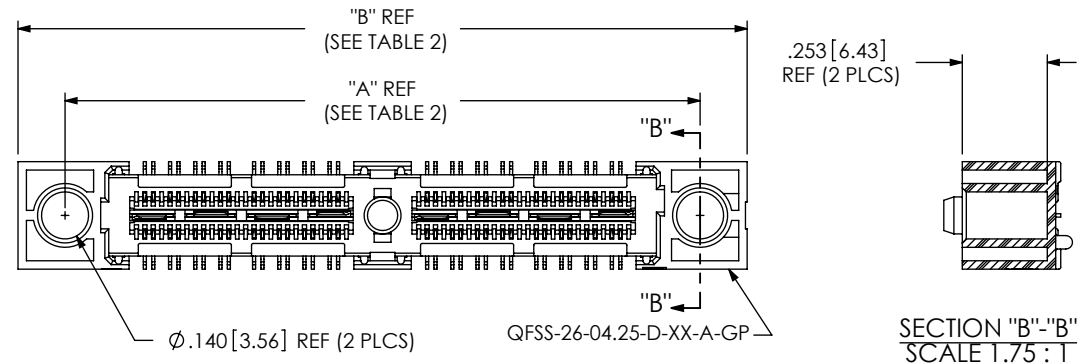
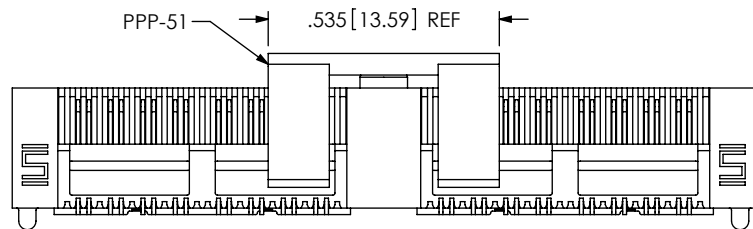
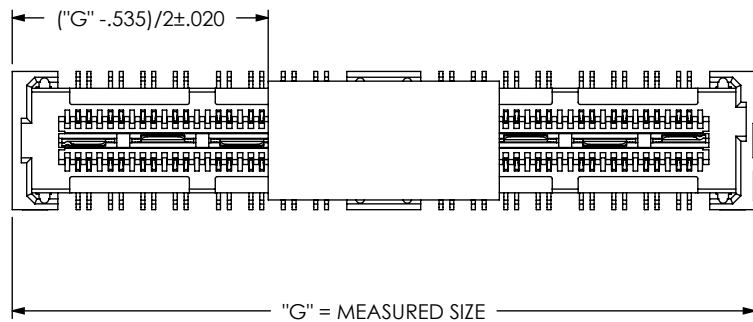
ASSEMBLY	"A"	"B"
QFS-016-04.25-X-D-DP-A-GP	1.050[26.67]	1.330[33.78]
QFS-032-04.25-X-D-DP-A-GP	1.890[48.00]	2.170[55.12]
QFS-048-04.25-X-D-DP-A-GP	2.730[69.34]	3.010[76.45]
QFS-064-04.25-X-D-DP-A-GP	3.570[90.68]	3.850[97.79]
*QFS-080-04.25-X-D-DP-A-GP	4.410[112.01]	4.690[119.13]

* NOT TOOLED

FIG. 2

-GP: GUIDE POST OPTION
(QFS-032-04.25-X-D-DP-A-GP SHOWN)
(NOT AVAILABLE WITH -PXX, RFX, OR -RT1 OPTIONS)

FIG. 7
-P: PICK & PLACE PAD OPTION



PROPRIETARY NOTE

THIS DOCUMENT CONTAINS INFORMATION CONFIDENTIAL AND PROPRIETARY TO SAMTEC, INC. AND SHALL NOT BE REPRODUCED OR TRANSFERRED TO OTHER DOCUMENTS OR DISCLOSED TO OTHERS OR USED FOR ANY PURPOSE OTHER THAN THAT WHICH IT WAS OBTAINED WITHOUT THE EXPRESSED WRITTEN CONSENT OF SAMTEC, INC.

DO NOT SCALE DRAWING

SHEET SCALE: 2.5:1



520 PARK EAST BLVD, NEW ALBANY, IN 47150
PHONE: 812-944-6733 FAX: 812-948-5047
e-Mail: info@SAMTEC.com code: 55322

DESCRIPTION:
.635mm DIFFERENTIAL PAIRS TERMINAL STRIP

DWG. NO.
QFS-XXX-XX.XX-X-D-DP-XX-XXX-XX

BY: BRATCHER 08/08/2003 SHEET 2 OF 5

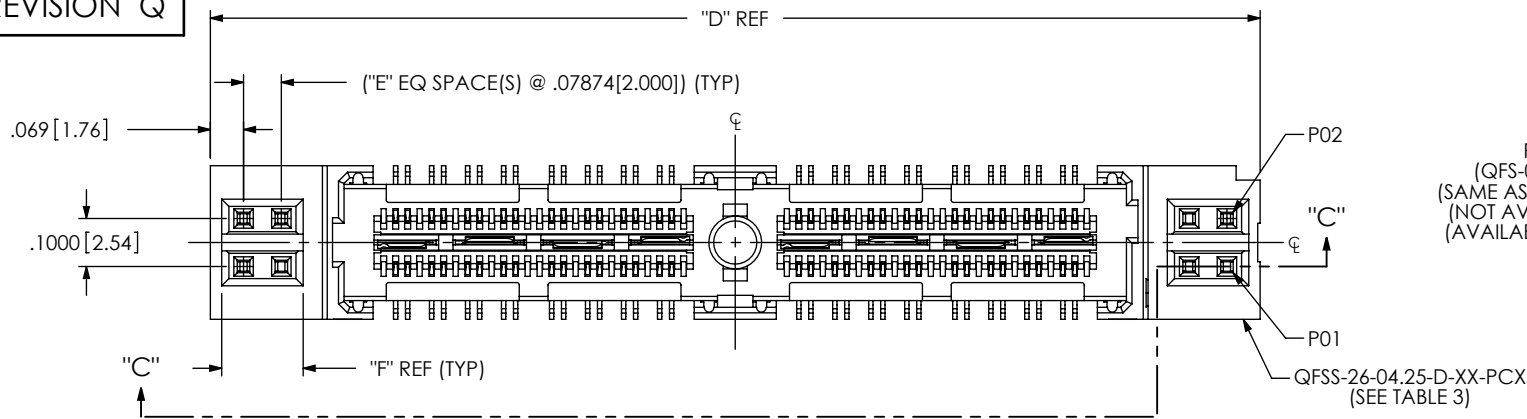
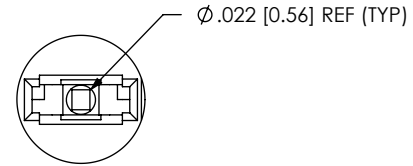
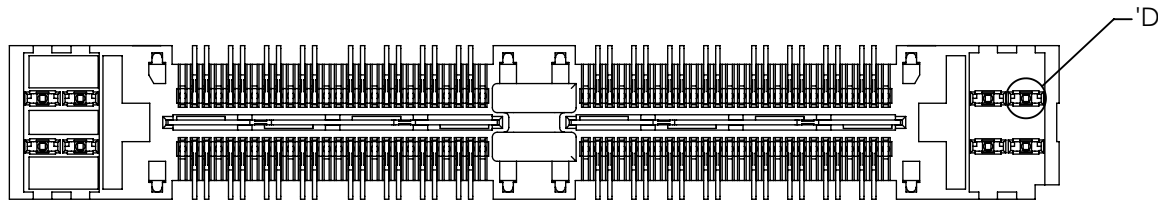
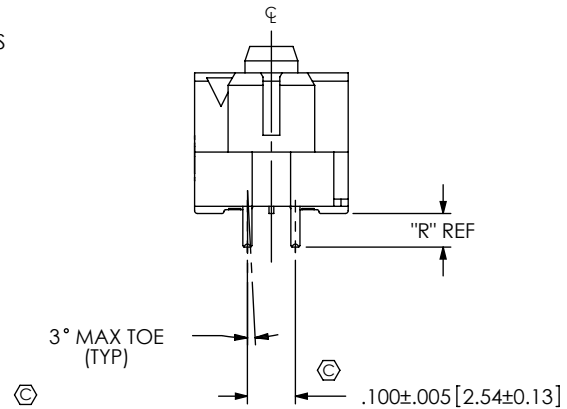
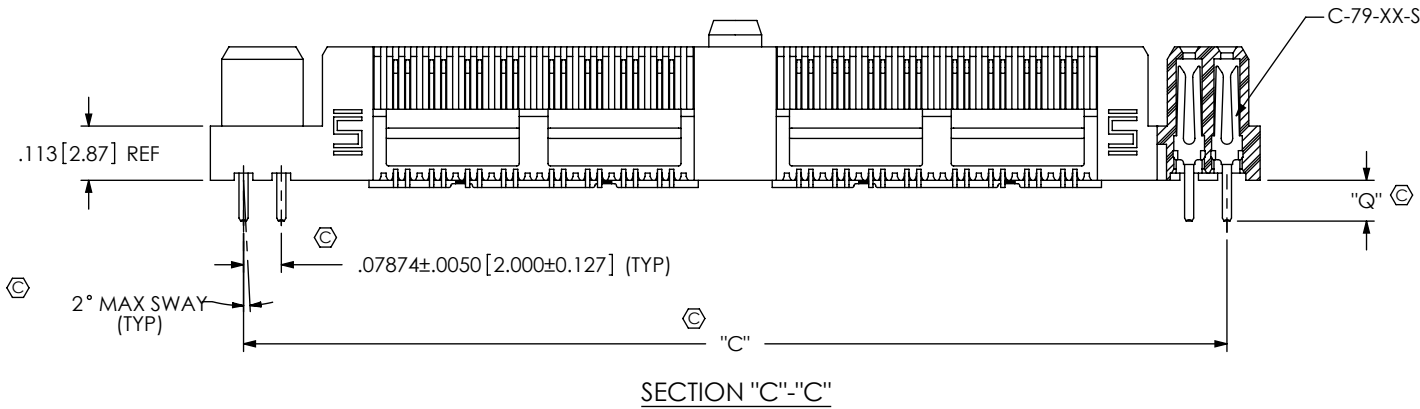


FIG. 3
 POWER COMBO OPTIONS
 (QFS-032-04.25-X-D-DP-PC4 SHOWN)
 (SAME AS FIG. 1, UNLESS OTHERWISE STATED)
 (NOT AVAILABLE WITH -A OR -GP OPTION)
 (AVAILABLE ON POS -016, -032, -048 ONLY)



DETAIL 'D'
 SCALE 8 : 1

POWER OPTION	CONTACT	"Q"	"R"
PC4/PC8	C-79-06-S	.085[2.16]	.070[1.78]
PT4/PT8	C-79-09-S	.125[3.18]	.110[2.79]

ASSEMBLY	QFSS-26-04.25-D-XX-PCX	"C"	"D"	"E"	"F"
QFS-016-04.25-X-D-DP-X-PX4	QFSS-26-04.25-D-01-PC4	1.209[30.70]	1.347[34.21]	1	.170[4.31]
QFS-016-04.25-X-D-DP-X-PX8	QFSS-26-04.25-D-01-PC8	1.524[38.70]	1.662[42.21]	3	.327[8.31]
QFS-032-04.25-X-D-DP-X-PX4	QFSS-26-04.25-D-02-PC4	2.049[52.04]	2.187[55.55]	1	.170[4.31]
QFS-032-04.25-X-D-DP-X-PX8	QFSS-26-04.25-D-02-PC8	2.364[60.04]	2.502[63.55]	3	.327[8.31]
QFS-048-04.25-X-D-DP-X-PX4	QFSS-26-04.25-D-03-PC4	2.889[73.37]	3.027[76.89]	1	.170[4.31]
QFS-048-04.25-X-D-DP-X-PX8	QFSS-26-04.25-D-03-PC8	3.204[81.37]	3.342[84.89]	3	.327[8.31]

PROPRIETARY NOTE
 THIS DOCUMENT CONTAINS INFORMATION CONFIDENTIAL AND PROPRIETARY TO SAMTEC, INC. AND SHALL NOT BE REPRODUCED OR TRANSFERRED TO OTHER DOCUMENTS OR DISCLOSED TO OTHERS OR USED FOR ANY PURPOSE OTHER THAN THAT WHICH IT WAS OBTAINED WITHOUT THE EXPRESSED WRITTEN CONSENT OF SAMTEC, INC.

DO NOT SCALE DRAWING

SHEET SCALE: 2.5:1



520 PARK EAST BLVD, NEW ALBANY, IN 47150
 PHONE: 812-944-6733 FAX: 812-948-5047
 e-Mail: info@SAMTEC.com code: 55322

DESCRIPTION:
 .635mm DIFFERENTIAL PAIRS TERMINAL STRIP
 DWG. NO.
QFS-XXX-XX.XX-X-D-DP-XX-XXX-XX
 BY: BRATCHER 08/08/2003 SHEET 3 OF 5

FIG. 4
 -RF1 OPTION
 (QFS-032-04.25-X-D-DP-RF1 SHOWN)
 (SAME AS FIG. 3, UNLESS OTHERWISE STATED)
 (NOT AVAILABLE WITH -A OR -GP OPTIONS)
 (AVAILABLE ON POSITIONS -016, -032, & -048 ONLY)

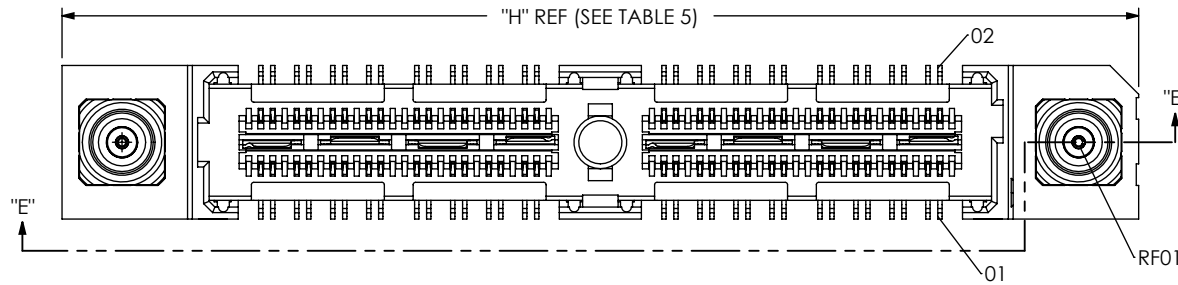


TABLE 5			
ASSEMBLY	QFSS-26-04.25-D-XX-RFX	"H"	"J"
QFS-016-04.25-X-D-DP-RF1	QFSS-26-04.25-D-01-RF1	1.403[35.64]	1.153[29.29]
QFS-016-04.25-X-D-DP-RF2	QFSS-26-04.25-D-01-RF2	1.903[48.34]	1.653[41.99]
QFS-032-04.25-X-D-DP-RF1	QFSS-26-04.25-D-02-RF1	2.243[56.97]	1.993[50.62]
QFS-032-04.25-X-D-DP-RF2	QFSS-26-04.25-D-02-RF2	2.743[69.67]	2.493[63.32]
QFS-048-04.25-X-D-DP-RF1	QFSS-26-04.25-D-03-RF1	3.083[78.31]	2.833[71.96]
QFS-048-04.25-X-D-DP-RF2	QFSS-26-04.25-D-03-RF2	3.583[91.01]	3.333[84.66]

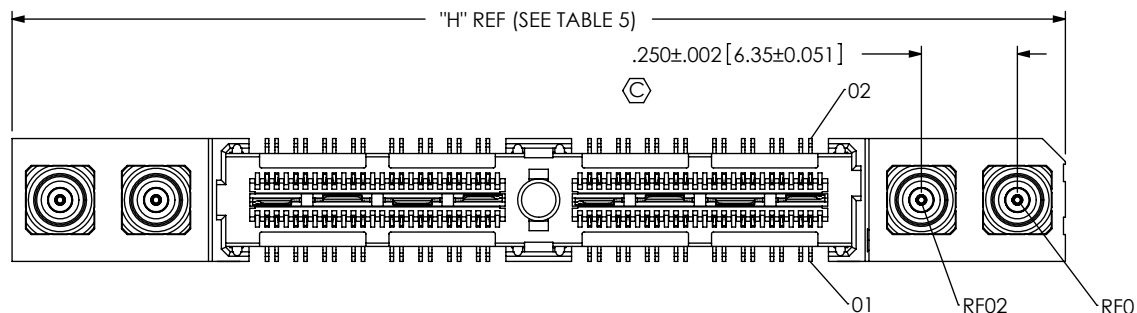
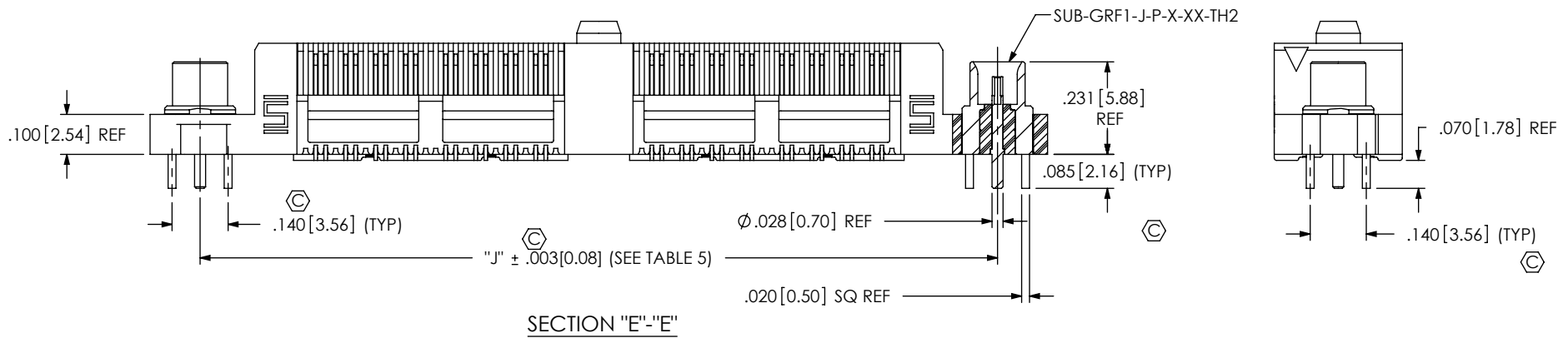
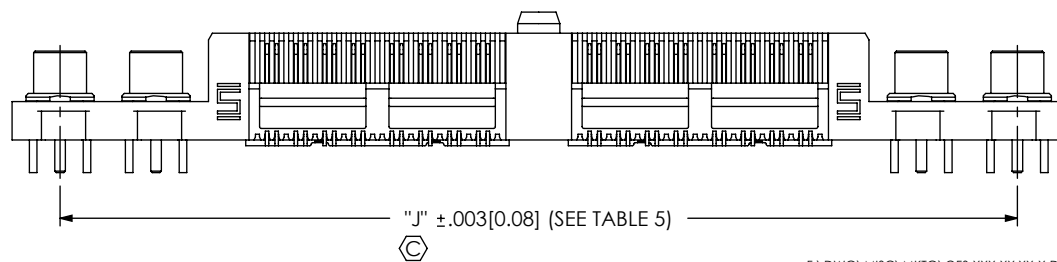


FIG. 5
 -RF2 OPTION
 (QFS-032-04.25-X-D-DP-RF2 SHOWN)
 (SAME AS FIG. 4, UNLESS OTHERWISE STATED)
 (NOT AVAILABLE WITH -A OR -GP OPTIONS)
 (AVAILABLE ON POSITIONS -016, -032, & -048 ONLY)



PROPRIETARY NOTE

THIS DOCUMENT CONTAINS INFORMATION CONFIDENTIAL AND PROPRIETARY TO SAMTEC, INC. AND SHALL NOT BE REPRODUCED OR TRANSFERRED TO OTHER DOCUMENTS OR DISCLOSED TO OTHERS OR USED FOR ANY PURPOSE OTHER THAN THAT WHICH IT WAS OBTAINED WITHOUT THE EXPRESSED WRITTEN CONSENT OF SAMTEC, INC.

DO NOT SCALE DRAWING

SHEET SCALE: 2.5:1



520 PARK EAST BLVD, NEW ALBANY, IN 47150
 PHONE: 812-944-6733 FAX: 812-948-5047
 e-Mail: info@SAMTEC.com code: 5332

DESCRIPTION:
 .635mm DIFFERENTIAL PAIRS TERMINAL STRIP

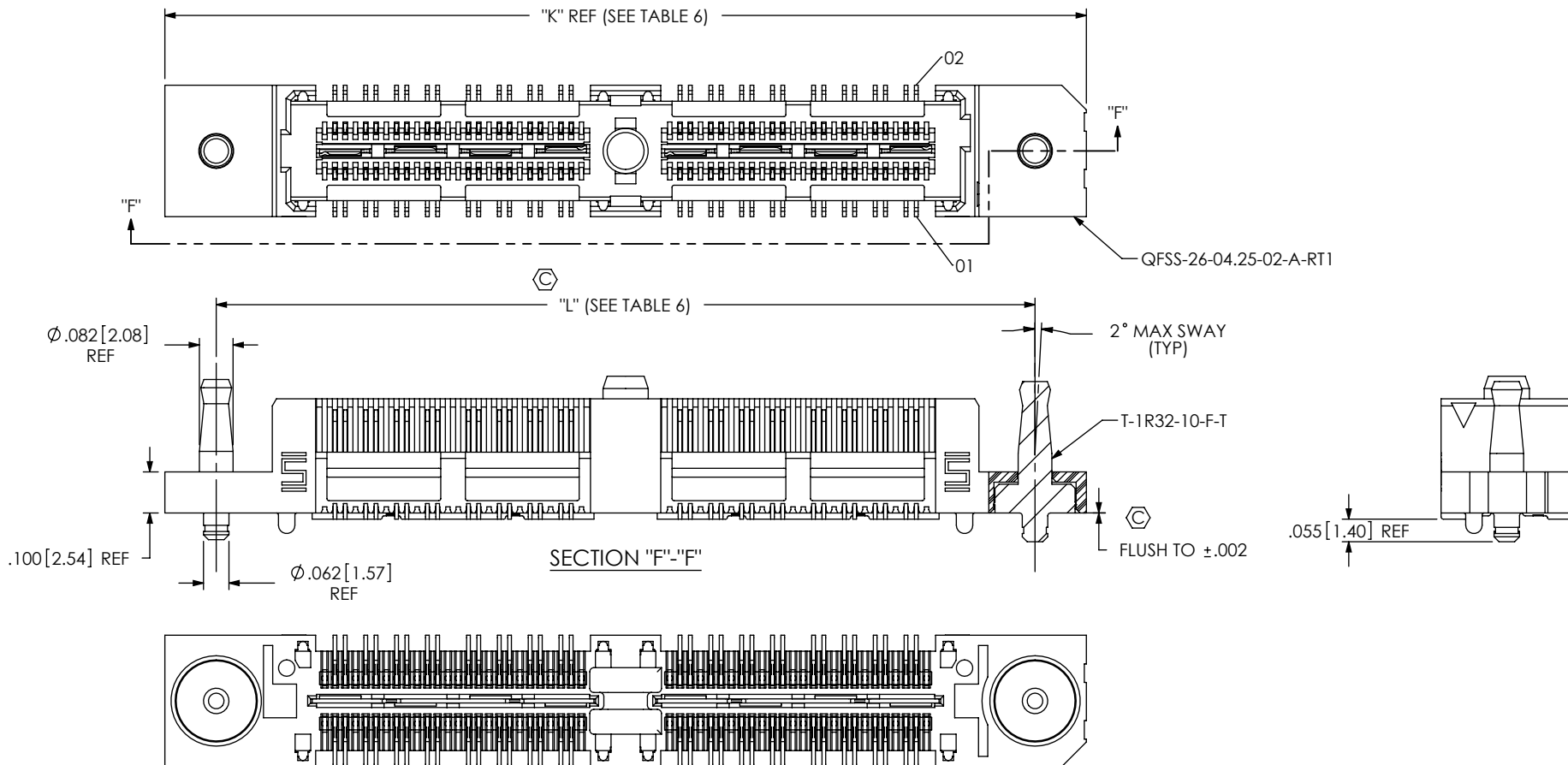
DWG. NO.
 QFS-XXX-XX.XX-X-D-DP-XX-XXX-XX


BY: BRATCHER 08/08/2003 SHEET 4 OF 5

FIG. 6

-RT1 OPTION
 (QFS-032-04.25-X-D-DP-A-RT1 SHOWN)
 (SAME AS FIG. 3, UNLESS OTHERWISE STATED)
 (NOT AVAILABLE WITH -GP OR -RFX OPTIONS)
 (AVAILABLE ON POSITIONS -016 & -032 WITH -A OPTION ONLY)

ASSEMBLY		BODY		"K"	"L"
QFS-016-04.25-X-D-DP-A-RT1	QFSS-26-04.25-D-01-A-RT1	1.403[35.64]	1.153[29.29]		
QFS-032-04.25-X-D-DP-A-RT1	QFSS-26-04.25-D-02-A-RT1	2.243[56.97]	1.993[50.62]		
QFS-048-04.25-X-D-DP-A-RT1	QFSS-26-04.25-D-03-A-RT1	3.083[78.31]	2.833[71.96]		
QFS-064-04.25-X-D-DP-A-RT1	QFSS-26-04.25-D-04-A-RT1	3.923[99.64]	3.673[93.29]		



<p>PROPRIETARY NOTE</p> <p>THIS DOCUMENT CONTAINS INFORMATION CONFIDENTIAL AND PROPRIETARY TO SAMTEC, INC. AND SHALL NOT BE REPRODUCED OR TRANSFERRED TO OTHER DOCUMENTS OR DISCLOSED TO OTHERS OR USED FOR ANY PURPOSE OTHER THAN THAT WHICH IT WAS OBTAINED WITHOUT THE EXPRESSED WRITTEN CONSENT OF SAMTEC, INC.</p> <p>DO NOT SCALE DRAWING</p> <p>SHEET SCALE: 2.5:1</p>		
	<p>520 PARK EAST BLVD, NEW ALBANY, IN 47150 PHONE: 812-944-6733 FAX: 812-948-5047 e-Mail: info@SAMTEC.com code: 55322</p>	
	<p>DESCRIPTION: .635mm DIFFERENTIAL PAIRS TERMINAL STRIP</p>	
	<p>DWG. NO. QFS-XXX-XX.XX-X-D-DP-XX-XXX-XX</p>	
	<p>BY: BRATCHER 08/08/2003</p>	<p>SHEET 5 OF 5</p>