

# TRIPLE-BALANCED MIXER

## CONNECTORIZED MODEL: CHK-3500

WIDE BANDWIDTH

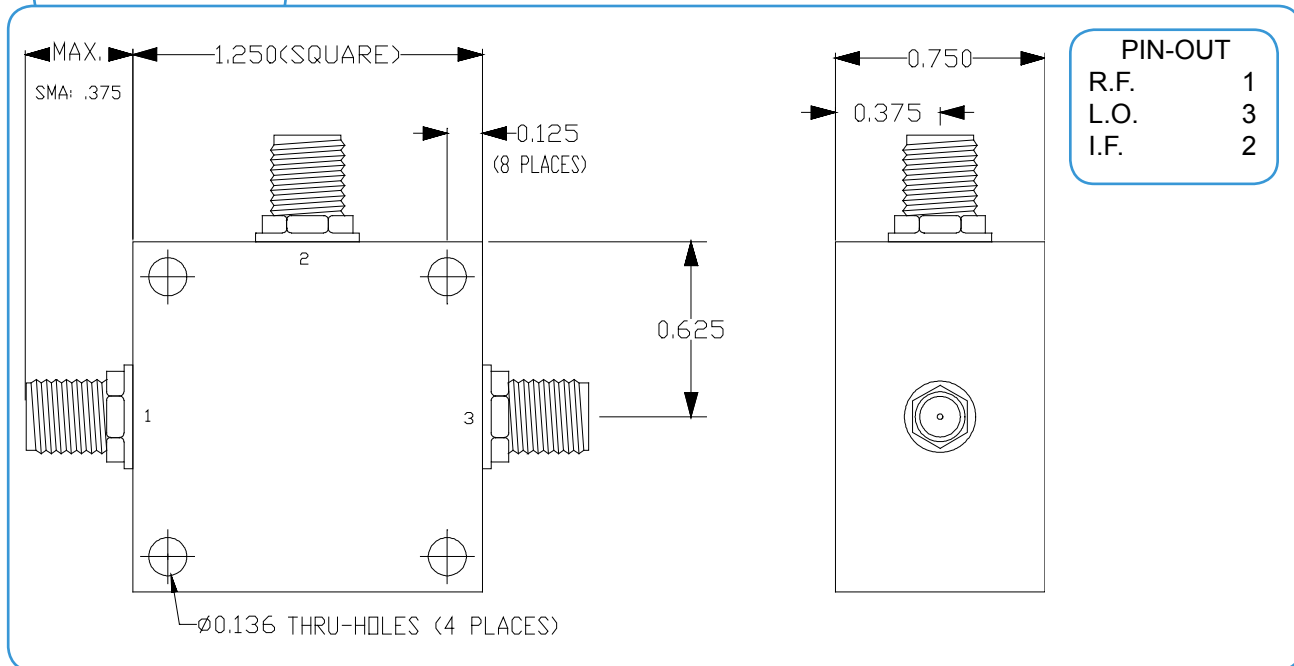
1 - 3500 MHz

### SPECIFICATIONS: (Rev B 02/22/07)

<b>Operating Frequency:</b>		<b>Conversion Loss (dB): (Typ/Max)</b>	7.8 / 8.7
LO / RF:	10 - 3500 MHz	<b>LO Power:</b>	+23 dBm(Nom)
IF:	1 - 2000 MHz	<b>Input IP3 (dBm): (Typ/Min)</b>	+32 / +25
<b>Isolation (dB):</b>	(Typ/Min)	<b>1 dB Compression Point:</b>	+18 dBm (Typ)
LO/RF	35/25	<b>Impedance:</b>	50 Ohms (Nom)
LO/IF	30/20	<b>Operating Temperature Range:</b>	-55°C to +85°C
RF/IF	25/20		



### MECHANICAL OUTLINE: 110



# TRIPLE-BALANCED MIXER

## CONNECTORIZED MODEL: CHK-3500

WIDE BANDWIDTH

1 - 3500 MHz

### PERFORMANCE PLOTS

