

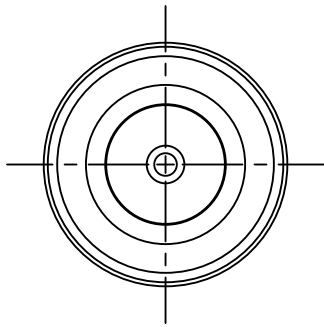
4

3

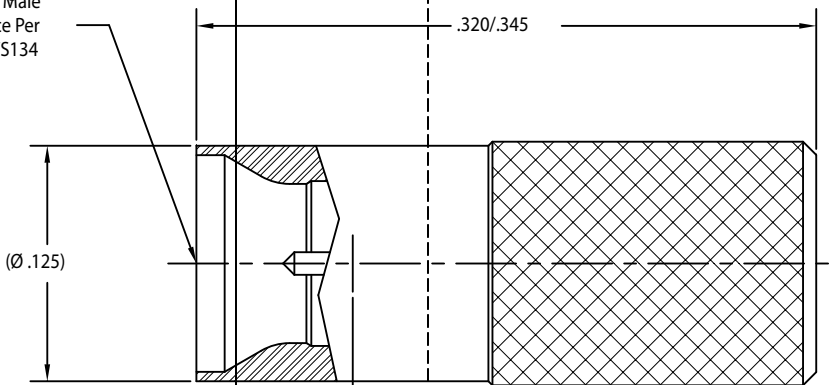
2

1

P/N	INTERFACE(S)
-1CCSF	DETENT
-2CCSF	SMOOTH BORE



SSMP Male  
Interface Per  
CarlisleIT WS134



(Ø .125)

.320/.345

R.P.

Diamond Knurl

TITLE			
SSMP Male STRAIGHT			
50 OHM LOAD TERMINATION			
SCALE			
SUB-DIRECTORY/FILENAME			
20:1	OLPXXX\OLP110	SHEET	of 1 1
SIZE	CASE CODE	DRAWING NO.	REV.
C	B0990	P110	D

10. REMOVE ALL BURRS.

4

3

2

1

4

3

2

1

D

D

C

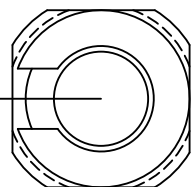
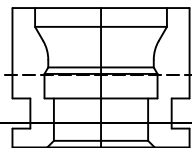
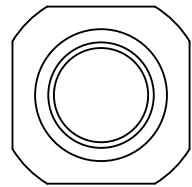
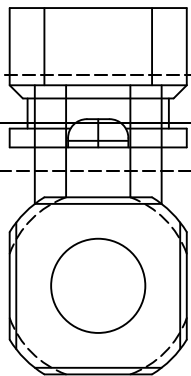
C

B

B

A

A



SCALE	SUB-DIRECTORY/FILENAME		SHEET	of	2
20:1	_XXXX\XXXXXXXX				
SIZE	CAGE CODE	DRAWING NO.	REV.		
C	B0990	XXXX-XXXX-XXXXXXXX	-		

4

3

2

1

4

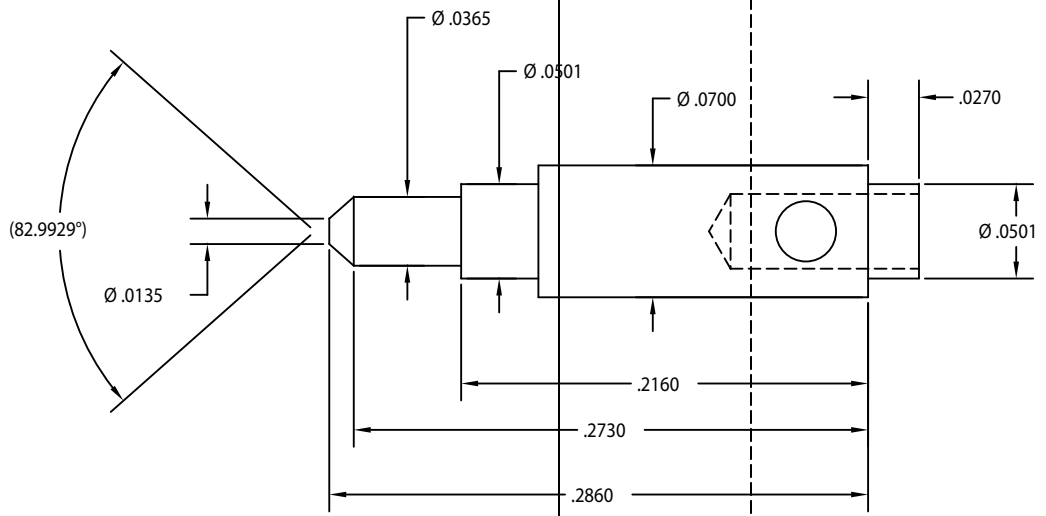
3

2

1

D

D

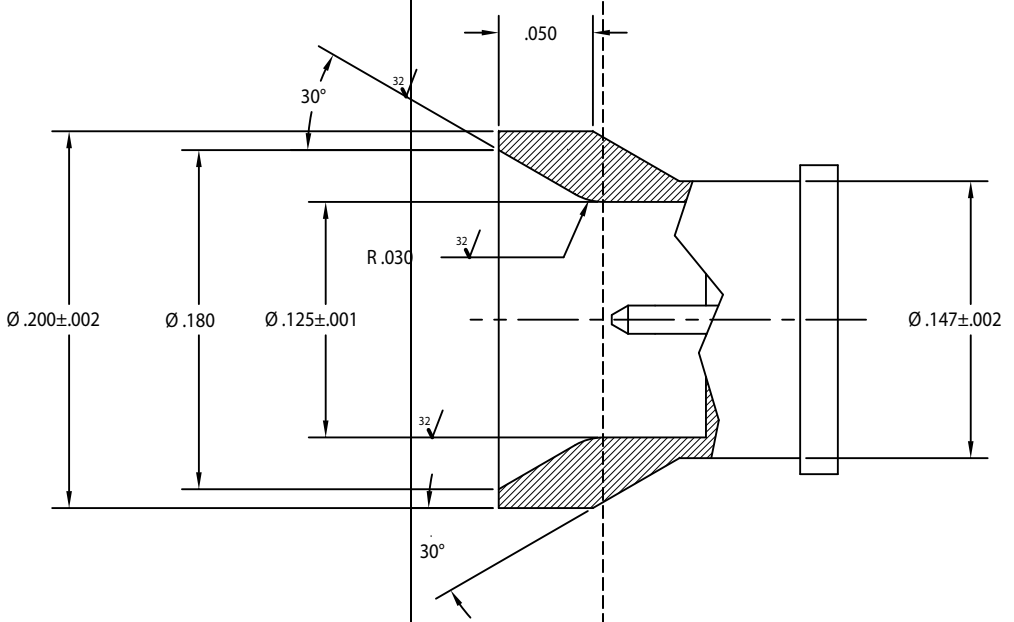


C

C

B

B



A

A

SCALE	SUB-DIRECTORY-FILENAME		SHEET	3
5:1	_XXXX\XXXXXXXX		03	3
SIZE	CAGE CODE	DRAWING NO.	REV.	
C	30990	XXXX-XXXX-XXXXXXXX	-	

4

3

2

1

4

3

2

1

D

D

C

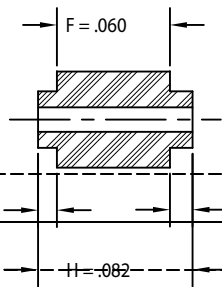
C

B

B

A

A



P/N C3179-28 REV. AH

SCALE		SUB-DIRECTORY-FILENAME		SHEET		REV	
5:1		_XXXX\XXXXXXXX		04		4	
SIZE	CAGE CODE	DRAWING NO.					
C	30990	XXXX-XXXX-XXXXXXX					

4

3

2

1