

Precision SMA Male to N Female Adapter



TECHNICAL DATA SHEET

PE9433

Precision SMA Male to N Female Adapter

Configuration

Connector 1	SMA Male
Impedance 1	50 Ohms
Connector Specification 1	MIL-C-39012
Connector 2	N Female
Impedance 2	50 Ohms
Connector Specification 2	MIL-C-39012
Adapter Design	Precision
Body Style	Straight

Electrical Specifications

Frequency Range, GHz	DC to 18
Maximum VSWR	1.15:1

Mechanical Specifications

Size

Length, in [mm]	1.65 [41.91]
Width/Dia., in [mm]	0.625 [15.88]

Connector 1

Type	SMA Male
Hex Size, in.	5/16

Connector 2

Type	N Female
------	----------

Compliance Certifications (visit www.Pasternack.com for current document)

RoHS Compliant	Yes
----------------	-----

Plotted and Other Data

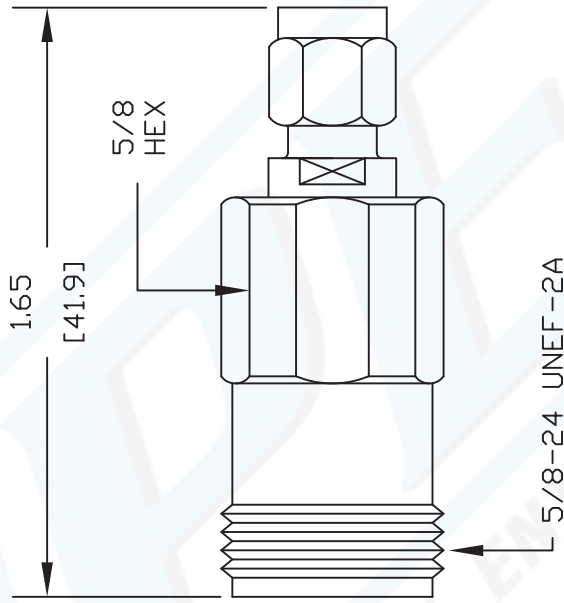
Notes: Values at 25 °C, sea level

URL: <http://www.pasternack.com/sma-male-n-female-straight-adapter-pe9433-p.aspx>

Precision SMA Male to N Female Adapter from Pasternack Enterprises has same day shipment for domestic and International orders. Our RF, microwave and fiber optic products maintain a 99% availability and are part of the broadest selection in the industry.

The information contained in this document is accurate to the best of our knowledge and representative of the part described herein. It may be necessary to make modifications to the part and/or the documentation of the part, in order to implement improvements. Pasternack reserves the right to make such changes as required. Unless otherwise stated, all specifications are nominal.

PE9433 CAD Drawing
Precision SMA Male to N Female Adapter



DWG TITLE

PE9433

NOTES:
 1. UNLESS OTHERWISE SPECIFIED ALL DIMENSIONS ARE NOMINAL.
 2. ALL SPECIFICATIONS ARE SUBJECT TO CHANGE WITHOUT NOTICE AT ANY TIME.
 3. DIMENSIONS ARE IN INCHES [mm].

REV. -

FSCM NO. 53919

CAD FILE 091010

SCALE N/A

SIZE A

127



PASTERNAK®
 Pasternack Enterprises, Inc.
 P.O. Box 16759 | Irvine | CA | 92623

Phone: (949) 261-1920 | Fax: (949) 261-7451

Website: www.pasternack.com | E-Mail: sales@pasternack.com