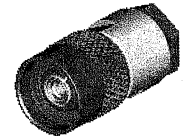


DASH NUMBER	CABLES ACCOMMODATED	ASSEMBLE PER
-23	275-3930, MICRODOT	TAI-127
-24	202-3934, MICRODOT	TAI-125
-24A	9530A5117, RAYCHEM	TAI-127
-27	202-3927, MICRODOT ⁵ 73-1317911-1, SYLVANIA	TAI-125
-29	TWC-124-1A TWC-78-1	
-30	8441, BELDEN ⁴ 761A, W.E.CO.	
-32	TRC-50-1	TAI-127
-33	TRC-75-1	
-43	250-4044/250-4045 293-3930 MICRODOT	TAI-174
-45	10602, RAYCHEM	TAI-125
-47	MI7/176-00002 ⁵	
-49	TWAC-78-1F2 ⁵	
-55	TWCP-124-3 ⁴	TAI-174
-56	GC875GC1, GRUMMAN	
-57	GC875GB1, GRUMMAN	
-58	GC875TM24H, GRUMMAN	TAI-125

DATA CONTAINED IN THIS DOCUMENT IS PROPRIETARY TO TROMPETER ELECTRONICS INC. AND SHALL NOT BE DISCLOSED, COPIED OR USED FOR PROCUREMENT OR MANUFACTURE WITHOUT EXPRESS WRITTEN PERMISSION.

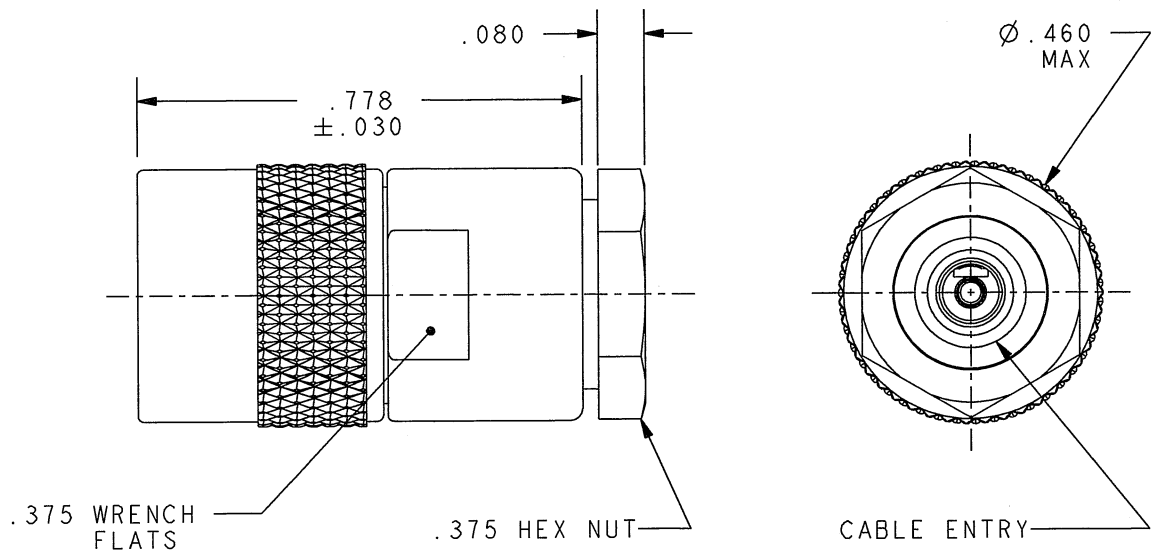
REVISIONS

REV	DESCRIPTIONS	DATE	APPROVED
P	REVISED PER ECO #16414	8/15/07	AWAC



RED INDICATES ORIGINAL

SCALE 1/1



-29 SHOWN

⁵ .187 LARGE JACKET SLITS MAY BE REQUIRED FOR EASE OF ASSEMBLY

⁴ NOT WRENCH CRIMP

3. CONCENTRIC TWINAX/TRIAX SUBMINIATURE THREADED TTM CABLE PLUG

2. IF SAFETY WIRE TYPE REQUIRED ADD SUFFIX "S" TO MODEL NUMBER (PL3155S)

1. FINISH: TFS-1A (NICKEL)

NOTES: UNLESS OTHERWISE SPECIFIED.

INTERPRET DRAWING PER MIL-STD-100. DIMENSIONS ARE IN INCHES AND INCLUDE FINISH THICKNESS UNLESS OTHERWISE SPECIFIED.		TOL: UNLESS SPECIFIED. .XX ± .02 .XXX ± .010 ANGLE ± 1°				
DRN	JLM 7-19-07	MATERIAL:				TITLE:
CHK	COG 8/13/07	FINISH:		SIZE	A	
QUAL				CAGE CODE	14949	
MANUF				DRAWING NO.	310-0047	
APPROVED	Am 8/14/07			REV.	P	
PROJ FILE NO.	310-0047	DO NOT SCALE DWG	SCALE	3/1	DATE	8/5/80
NEXT ASSY				SHEET	IC	