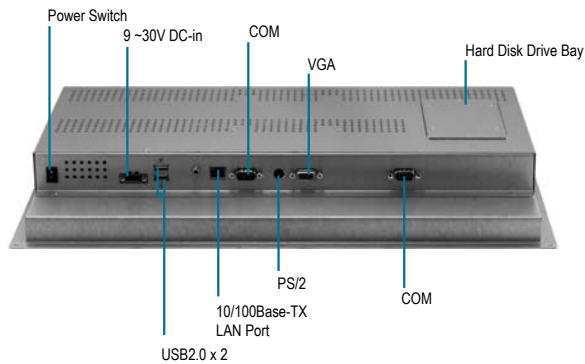


■ 19" 16:9 Point Of Promotion Panel PC



## Features

- Onboard Intel® Celeron® M Low Voltage Processor
- 19" WXVGA Color TFT LCD Display
- Open Frame Design
- Cost-Effective Solution
- Windows® 2000, Windows® XP, Windows® XP Embedded Support
- Touchscreen Support



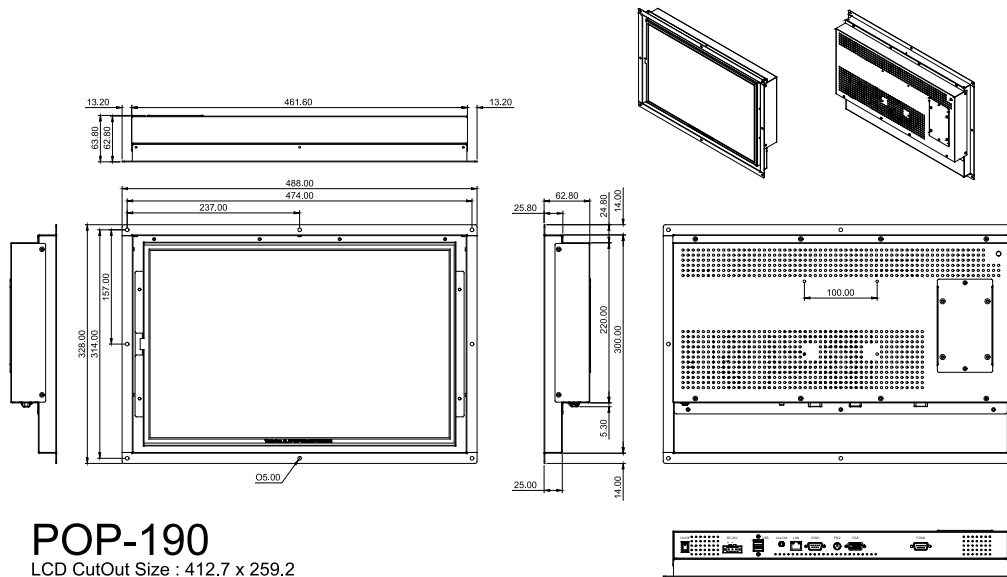
## Specifications

<b>System</b>	
Processor	Intel® Celeron® M 1.5 GHz/600 MHz
System Memory	512 MB
LCD/CRT Controller	Intel® 852GM
Ethernet	10/100Base-TX, RJ-45 x 1
I/O Port	RS-232 x 1, RS-232/422/485 x 1 USB2.0 x 2 Audio Line out x 1 PS/2 x 1 (Keyboard + Mouse) VGA out x 1
Storage Disk	2.5" Hard Disk Drive bay /CompactFlash slot(internal)
Expansion Slot	Mini PCI Slot x 1 (internal)
OS Support	Windows® 2000, Windows® XP Pro for Embedded , Windows® XP Embedded, Windows® 7
<b>Mechanical</b>	
Construction	Open frame
Color	Gray
Mounting	VESA 100
Dimension	19.21" x 12.91" x 2.48" (488mm x 328mm x 63mm)
Gross weight	17.6 lb (8 kg)
Net Weight	14.3 lb (6.5 kg)
<b>Environmental</b>	
Operating Temperature	32°F ~ 104°F ( 0°C ~ 40°C)
Storage Temperature	-4°F ~ 140°F (-20°C ~ 60°C)
Storage Humidity	10% to 90%@ 40°C, non-condensing
EMC	CE/ FCC Class A
<b>Power Supply</b>	
DC-DC input	Input Range: 9V~30VDC
<b>LCD</b>	
Display Type	19" TFT-LCD
Max. Resolution	1440 x 900
Max. Color	16.7M colors
Dot Size	0.2835 x 0.2835
Luminance	300 cd/m <sup>2</sup>
View Angle	160°(H)/160°(V)
Back Light MTBF	50,000
<b>TouchScreen</b>	
Type	5-wire, Analog Resistive
Resolution	2048 x 2048
Light Transmission	80%
Lifetime	35 million activations

# POP-190

## Dimension

Unit: mm



## Ordering Information

- **TF-POP-190-HTT-G3-0001-1210**  
Intel® Celeron® M 1.5 GHz Open Frame Panel PC with 19" LCD, 512 MB RAM and Touchscreen
- **TF-POP-190-HTT-G3-0002-1210**  
Intel® Celeron® M 600 MHz Fanless Open Frame Panel PC with 19" LCD, 512 MB RAM and Touchscreen
- **TF-POP-190-HT-G3-0001-1210**  
Intel® Celeron® M 1.5 GHz Open Frame Panel PC with 19" LCD, 512 MB RAM
- **TF-POP-190-HT-G3-0002-1210**  
Intel® Celeron® M 600 MHz Fanless Open Frame Panel PC with 19" LCD, 512 MB RAM

## Optional Accessories

- **9741666646**  
Wireless LAN Kit, IEEE802.11b/g, with Antenna
- **ARM-WK075-0**  
Wallmount Kit with VESA 75/100mm Standards
- **2.5" Hard Disk Drive**
- **1702031830**  
Power Cord (US Type)
- **1702031831**  
Power Cord (European Type)
- **1702031810**  
Power Cord (Japanese Type)
- **1757912001**  
AC Adapter (Output DC 19V)