

SCD Series

SMD Power Inductors

FEATURES

Halogen Free products

Unshield construction

SMD drum Inductor

APPLICATIONS

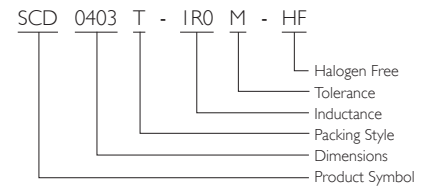
Power supply choke for small electrical equipments such as VTR, LCD display, notebook, PC, communication equipment, and so on

SHAPES AND DIMENSIONS

TYPE	A	B	C	D	a	b	c
SCD0315T	3.3 ± 0.15	3.5 ± 0.15	1.6 ± 0.3	1.60	3.20	3.50	0.80
SCD0302T	3.0 ± 0.3	3.5 ± 0.3	2.1 ± 0.3	1.60	3.20	3.50	0.80
SCD0402T	4.0 ± 0.3	4.5 ± 0.3	2.0 ± 0.3	1.20	5.00	4.50	1.90
SCD0403T	4.0 ± 0.3	4.5 ± 0.3	3.2 ± 0.3	1.20	5.00	4.50	1.90
SCD0502T	5.2 ± 0.3	5.8 ± 0.3	2.0 ± 0.3	5.40	2.20	5.40	1.60
SCD0503T	5.2 ± 0.3	5.8 ± 0.3	3.0 ± 0.3	1.60	6.00	5.40	2.20
SCD0504T	5.2 ± 0.3	5.8 ± 0.3	4.5 ± 0.3	1.60	6.00	5.40	2.20
SCD0703T	7.0 ± 0.3	7.8 ± 0.3	3.5 ± 0.3	2.00	8.00	7.50	3.00
SCD0705T	7.0 ± 0.3	7.8 ± 0.3	5.0 ± 0.3	2.00	8.00	7.50	3.00
SCD1004T	9.0 ± 0.3	10 ± 0.3	4.0 ± 0.3	2.50	10.0	9.50	3.75
SCD1005T	9.0 ± 0.3	10 ± 0.3	5.4 ± 0.3	2.50	10.0	9.50	3.75

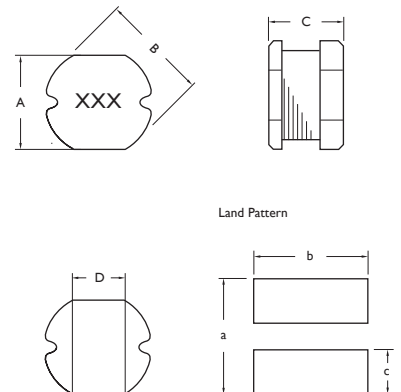


PRODUCT IDENTIFICATION



■ Tolerance: J = ±5%, K = ±10%, L = ±15%, M = ±20%,
P = ±25%, N = ±30%, Y = min

Unit: mm





ELECTRICAL CHARACTERISTICS SCD0315T

PART NO.	INDUCTANCE (μ H)	TOLERANCE (\pm %)	TEST FREQUENCY (KHz/0.3V)	DC RESISTANCE (m Ω) Max.	RATED CURRENT (A) Max.
SCD0315T-1R0M	1.00	20.0	100.0	48.0	1.60
SCD0315T-1R5M	1.50	20.0	100.0	100.0	1.55
SCD0315T-2R2M	2.20	20.0	100.0	78.0	1.47
SCD0315T-3R3M	3.30	20.0	100.0	126.0	1.34
SCD0315T-3R9M	3.90	20.0	100.0	140.0	1.24
SCD0315T-4R7M	4.70	20.0	100.0	158.0	1.22
SCD0315T-5R6M	5.60	20.0	100.0	186.0	1.09
SCD0315T-6R8M	6.80	20.0	100.0	213.0	0.96
SCD0315T-8R2M	8.20	20.0	100.0	238.0	0.84
SCD0315T-100M	10.00	20.0	1.0	307.0	0.70
SCD0315T-120M	12.00	20.0	1.0	372.0	0.65
SCD0315T-150M	15.00	20.0	1.0	466.0	0.59
SCD0315T-180M	18.00	20.0	1.0	515.0	0.54
SCD0315T-220M	22.00	20.0	1.0	656.0	0.48
SCD0315T-270M	27.00	20.0	1.0	774.0	0.43
SCD0315T-330M	33.00	20.0	1.0	1021.0	0.37
SCD0315T-390M	39.00	20.0	1.0	1122.0	0.32
SCD0315T-470M	47.00	20.0	1.0	1509.0	0.26
SCD0315T-560M	56.00	20.0	1.0	1675.0	0.24
SCD0315T-680M	68.00	20.0	1.0	1919.0	0.23
SCD0315T-820M	82.00	20.0	1.0	2644.0	0.21
SCD0315T-101M	100.00	20.0	1.0	2870.0	0.19
SCD0315T-121M	120.00	20.0	1.0	4084.0	0.17
SCD0315T-151M	150.00	20.0	1.0	4774.0	0.16
SCD0315T-181M	180.00	20.0	1.0	5699.0	0.14

Note:

I_{sat}: DC current at which the inductance drops 25% from its value without current

I_{rms}: The actual current when temperature of coil becomes $\Delta T = 40\text{ }^{\circ}\text{C}$

ELECTRICAL CHARACTERISTICS SCD0302T

PART NO.	INDUCTANCE (μ H)	TOLERANCE (\pm %)	TEST FREQUENCY (KHz/0.3V)	DC RESISTANCE (m Ω) Max.	RATED CURRENT (A) Max.
SCD0302T-1R0M	1.00	20.0	100.0	35.0	3.34
SCD0302T-2R2M	2.20	20.0	100.0	59.0	2.35
SCD0302T-3R3M	3.30	20.0	100.0	98.0	1.83
SCD0302T-4R7M	4.70	20.0	100.0	137.0	1.50
SCD0302T-5R6M	5.60	20.0	100.0	157.0	1.36
SCD0302T-6R8M	6.80	20.0	100.0	196.0	1.22
SCD0302T-8R2M	8.20	20.0	100.0	230.0	1.09
SCD0302T-100M	10.00	20.0	1.0	286.0	0.95
SCD0302T-120M	12.00	20.0	1.0	322.0	0.88
SCD0302T-150M	15.00	20.0	1.0	398.0	0.82
SCD0302T-180M	18.00	20.0	1.0	520.0	0.76
SCD0302T-220M	22.00	20.0	1.0	660.0	0.63
SCD0302T-270M	27.00	20.0	1.0	760.0	0.62
SCD0302T-330M	33.00	20.0	1.0	870.0	0.56
SCD0302T-390M	39.00	20.0	1.0	1100.0	0.51
SCD0302T-470M	47.00	20.0	1.0	1250.0	0.47
SCD0302T-560M	56.00	20.0	1.0	1590.0	0.42
SCD0302T-680M	68.00	20.0	1.0	1820.0	0.38
SCD0302T-820M	82.00	20.0	1.0	2440.0	0.34
SCD0302T-101M	100.00	20.0	1.0	2840.0	0.31
SCD0302T-121M	120.00	20.0	1.0	3190.0	0.28
SCD0302T-151M	150.00	20.0	1.0	4200.0	0.16
SCD0302T-181M	180.00	20.0	1.0	5110.0	0.15
SCD0302T-221M	220.00	20.0	1.0	7310.0	0.14
SCD0302T-271M	270.00	20.0	1.0	8240.0	0.12
SCD0302T-331M	330.00	20.0	1.0	10190.0	0.10

Note:

Isat: DC current at which the inductance drops 25% from its value without current

Irms: The actual current when temperature of coil becomes $\Delta T = 40\text{ }^{\circ}\text{C}$



ELECTRICAL CHARACTERISTICS SCD0402T

PART NO.	INDUCTANCE (μ H)	TOLERANCE (\pm %)	TEST FREQUENCY (KHz/0.3V)	DC RESISTANCE (m Ω) Max.	RATED CURRENT (A) Max.
SCD0402T-2R7M	2.70	20.0	100.0	65.0	1.50
SCD0402T-4R7M	4.70	20.0	100.0	95.0	1.40
SCD0402T-100M	10.00	20.0	1.0	180.0	0.97
SCD0402T-220M	22.00	20.0	1.0	450.0	0.60
SCD0402T-260M	26.00	20.0	1.0	470.0	0.55
SCD0402T-330M	33.00	20.0	1.0	500.0	0.54
SCD0402T-390M	39.00	20.0	1.0	700.0	0.50
SCD0402T-470M	47.00	20.0	1.0	800.0	0.48
SCD0402T-560M	56.00	20.0	1.0	900.0	0.45
SCD0402T-101M	100.00	20.0	1.0	1500.0	0.10
SCD0402T-151M	150.00	20.0	1.0	3200.0	0.09

ELECTRICAL CHARACTERISTICS SCD0403T

PART NO.	INDUCTANCE (μ H)	TOLERANCE (\pm %)	TEST FREQUENCY (KHz/0.3V)	DC RESISTANCE (m Ω) Max.	RATED CURRENT (A) Max.
SCD0403T-1R0M	1.00	20.0	100.0	33.0	3.80
SCD0403T-2R2M	2.20	20.0	100.0	47.0	2.60
SCD0403T-3R3M	3.30	20.0	100.0	58.0	2.15
SCD0403T-3R9M	3.90	20.0	100.0	76.0	1.98
SCD0403T-4R7M	4.70	20.0	100.0	94.0	1.70
SCD0403T-6R8M	6.80	20.0	100.0	117.0	1.41
SCD0403T-8R2M	8.20	20.0	100.0	132.0	1.26
SCD0403T-100M	10.00	20.0	1.0	182.0	1.15
SCD0403T-120M	12.00	20.0	1.0	210.0	1.05
SCD0403T-150M	15.00	20.0	1.0	235.0	0.92
SCD0403T-180M	18.00	20.0	1.0	338.0	0.84
SCD0403T-220M	22.00	20.0	1.0	378.0	0.76
SCD0403T-270M	27.00	20.0	1.0	522.0	0.71
SCD0403T-330M	33.00	20.0	1.0	540.0	0.64
SCD0403T-390M	39.00	20.0	1.0	587.0	0.59
SCD0403T-470M	47.00	20.0	1.0	844.0	0.54
SCD0403T-560M	56.00	20.0	1.0	937.0	0.50
SCD0403T-680M	68.00	20.0	1.0	1117.0	0.46
SCD0403T-820M	82.00	20.0	1.0	1180.0	0.43
SCD0403T-101M	100.00	20.0	1.0	1190.0	0.41
SCD0403T-121M	120.00	20.0	1.0	1220.0	0.38
SCD0403T-151M	150.00	20.0	1.0	1400.0	0.35
SCD0403T-181M	180.00	20.0	1.0	1500.0	0.31
SCD0403T-221M	220.00	20.0	1.0	1641.0	0.29
SCD0403T-271M	270.00	20.0	1.0	2890.0	0.26
SCD0403T-331M	330.00	20.0	1.0	3760.0	0.20

Note:

Isat: DC current at which the inductance drops 25% from its value without current

Irms: The actual current when temperature of coil becomes $\Delta T = 40^\circ\text{C}$

ELECTRICAL CHARACTERISTICS SCD0502T

PART NO.	INDUCTANCE (μ H)	TOLERANCE (\pm %)	TEST FREQUENCY (KHz/0.3V)	DC RESISTANCE (m Ω) Max.	RATED CURRENT (A) Max.
SCD0502T-1R0M	1.00	20.0	100.0	50.0	4.20
SCD0502T-2R2M	2.20	20.0	100.0	80.0	3.20
SCD0502T-3R3M	3.30	20.0	100.0	120.0	2.40
SCD0502T-3R9M	3.90	20.0	100.0	140.0	2.00
SCD0502T-4R7M	4.70	20.0	100.0	150.0	1.80
SCD0502T-5R6M	5.60	20.0	100.0	160.0	1.50
SCD0502T-6R8M	6.80	20.0	100.0	170.0	1.40
SCD0502T-8R2M	8.20	20.0	100.0	200.0	1.30
SCD0502T-100M	10.00	20.0	1.0	230.0	1.10
SCD0502T-120M	12.00	20.0	1.0	250.0	1.05
SCD0502T-150M	15.00	20.0	1.0	300.0	1.00
SCD0502T-180M	18.00	20.0	1.0	350.0	0.90
SCD0502T-220M	22.00	20.0	1.0	400.0	0.85
SCD0502T-270M	27.00	20.0	1.0	500.0	0.75
SCD0502T-330M	33.00	20.0	1.0	550.0	0.70
SCD0502T-390M	39.00	20.0	1.0	650.0	0.60
SCD0502T-470M	47.00	20.0	1.0	750.0	0.55
SCD0502T-560M	56.00	20.0	1.0	950.0	0.50
SCD0502T-680M	68.00	20.0	1.0	1200.0	0.45
SCD0502T-820M	82.00	20.0	1.0	1400.0	0.40
SCD0502T-101M	100.00	20.0	1.0	1750.0	0.35
SCD0502T-121M	120.00	20.0	1.0	2000.0	0.25
SCD0502T-151M	150.00	20.0	1.0	2600.0	0.22
SCD0502T-181M	180.00	20.0	1.0	3700.0	0.19
SCD0502T-221M	220.00	20.0	1.0	4000.0	0.18
SCD0502T-271M	270.00	20.0	1.0	4200.0	0.17

Note:

Isat: DC current at which the inductance drops 25% from its value without current

Irms: The actual current when temperature of coil becomes $\Delta T = 40\text{ }^{\circ}\text{C}$



ELECTRICAL CHARACTERISTICS SCD0503T

PART NO.	INDUCTANCE (μ H)	TOLERANCE (\pm %)	TEST FREQUENCY (KHz/0.3V)	DC RESISTANCE (m Ω) Max.	RATED CURRENT (A) Max.
SCD0503T-1R0M	1.00	20.0	100.0	38.0	4.50
SCD0503T-2R2M	2.20	20.0	100.0	45.0	3.50
SCD0503T-3R3M	3.30	20.0	100.0	55.0	2.80
SCD0503T-3R9M	3.90	20.0	100.0	64.0	2.60
SCD0503T-4R7M	4.70	20.0	100.0	72.0	2.50
SCD0503T-5R6M	5.60	20.0	100.0	84.0	2.40
SCD0503T-6R8M	6.80	20.0	100.0	90.0	2.20
SCD0503T-8R2M	8.20	20.0	100.0	100.0	2.00
SCD0503T-100M	10.00	20.0	1.0	120.0	1.80
SCD0503T-120M	12.00	20.0	1.0	130.0	1.75
SCD0503T-150M	15.00	20.0	1.0	150.0	1.70
SCD0503T-180M	18.00	20.0	1.0	180.0	1.60
SCD0503T-220M	22.00	20.0	1.0	220.0	1.50
SCD0503T-270M	27.00	20.0	1.0	240.0	1.40
SCD0503T-330M	33.00	20.0	1.0	300.0	1.10
SCD0503T-390M	39.00	20.0	1.0	400.0	1.00
SCD0503T-470M	47.00	20.0	1.0	430.0	0.90
SCD0503T-560M	56.00	20.0	1.0	500.0	0.85
SCD0503T-680M	68.00	20.0	1.0	600.0	0.80
SCD0503T-820M	82.00	20.0	1.0	800.0	0.65
SCD0503T-101M	100.00	20.0	1.0	900.0	0.60
SCD0503T-121M	120.00	20.0	1.0	1000.0	0.58
SCD0503T-151M	150.00	20.0	1.0	1300.0	0.43
SCD0503T-181M	180.00	20.0	1.0	1500.0	0.41
SCD0503T-221M	220.00	20.0	1.0	2000.0	0.38
SCD0503T-271M	270.00	20.0	1.0	2500.0	0.35
SCD0503T-331M	330.00	20.0	1.0	3200.0	0.28

Note:

Isat: DC current at which the inductance drops 25% from its value without current

Irms: The actual current when temperature of coil becomes $\Delta T = 40\text{ }^{\circ}\text{C}$

ELECTRICAL CHARACTERISTICS SCD0504T

PART NO.	INDUCTANCE (μ H)	TOLERANCE (\pm %)	TEST FREQUENCY (KHz/0.3V)	DC RESISTANCE (m Ω) Max.	RATED CURRENT (A) Max.
SCD0504T-1R0M	1.00	20.0	100.0	20.0	5.00
SCD0504T-1R5M	1.50	20.0	100.0	25.0	4.80
SCD0504T-2R2M	2.20	20.0	100.0	17.0	4.50
SCD0504T-2R7M	2.70	20.0	100.0	30.0	3.50
SCD0504T-3R3M	3.30	20.0	100.0	34.0	3.00
SCD0504T-4R7M	4.70	20.0	100.0	40.0	2.80
SCD0504T-6R8M	6.80	20.0	100.0	80.0	2.50
SCD0504T-100M	10.00	20.0	1.0	100.0	1.44
SCD0504T-120M	12.00	20.0	1.0	120.0	1.40
SCD0504T-150M	15.00	20.0	1.0	140.0	1.30
SCD0504T-180M	18.00	20.0	1.0	150.0	1.23
SCD0504T-220M	22.00	20.0	1.0	180.0	1.11
SCD0504T-270M	27.00	20.0	1.0	200.0	0.97
SCD0504T-330M	33.00	20.0	1.0	230.0	0.88
SCD0504T-390M	39.00	20.0	1.0	320.0	0.80
SCD0504T-470M	47.00	20.0	1.0	370.0	0.72
SCD0504T-560M	56.00	20.0	1.0	420.0	0.68
SCD0504T-680M	68.00	20.0	1.0	460.0	0.61
SCD0504T-820M	82.00	20.0	1.0	600.0	0.58
SCD0504T-101M	100.00	20.0	1.0	700.0	0.52
SCD0504T-121M	120.00	20.0	1.0	930.0	0.48
SCD0504T-151M	150.00	20.0	1.0	1100.0	0.40
SCD0504T-181M	180.00	20.0	1.0	1380.0	0.38
SCD0504T-221M	220.00	20.0	1.0	1570.0	0.35

Note:

Isat: DC current at which the inductance drops 25% from its value without current

Irms: The actual current when temperature of coil becomes $\Delta T = 40\text{ }^{\circ}\text{C}$



ELECTRICAL CHARACTERISTICS SCD0703T

PART NO.	INDUCTANCE (μ H)	TOLERANCE (\pm %)	TEST FREQUENCY (KHz/0.3V)	DC RESISTANCE (m Ω) Max.	RATED CURRENT (A) Max.
SCD0703T-1R0M	1.00	20.0	100.0	18.0	7.00
SCD0703T-1R5M	1.50	20.0	100.0	20.0	6.00
SCD0703T-2R2M	2.20	20.0	100.0	23.0	5.00
SCD0703T-3R3M	3.30	20.0	100.0	25.0	4.00
SCD0703T-4R7M	4.70	20.0	100.0	39.0	3.50
SCD0703T-6R8M	6.80	20.0	100.0	40.0	2.80
SCD0703T-100M	10.00	20.0	1.0	80.0	1.44
SCD0703T-120M	12.00	20.0	1.0	90.0	1.39
SCD0703T-150M	15.00	20.0	1.0	100.0	1.24
SCD0703T-180M	18.00	20.0	1.0	110.0	1.12
SCD0703T-220M	22.00	20.0	1.0	130.0	1.07
SCD0703T-270M	27.00	20.0	1.0	150.0	0.94
SCD0703T-330M	33.00	20.0	1.0	170.0	0.85
SCD0703T-390M	39.00	20.0	1.0	220.0	0.74
SCD0703T-470M	47.00	20.0	1.0	250.0	0.68
SCD0703T-560M	56.00	20.0	1.0	280.0	0.64
SCD0703T-680M	68.00	20.0	1.0	330.0	0.59
SCD0703T-820M	82.00	20.0	1.0	410.0	0.54
SCD0703T-101M	100.00	20.0	1.0	480.0	0.51
SCD0703T-121M	120.00	20.0	1.0	540.0	0.49

Note:

Isat: DC current at which the inductance drops 25% from its value without current

Irms: The actual current when temperature of coil becomes $\Delta T = 40\text{ }^{\circ}\text{C}$

ELECTRICAL CHARACTERISTICS SCD0705T

PART NO.	INDUCTANCE (μ H)	TOLERANCE (\pm %)	TEST FREQUENCY (KHz/0.3V)	DC RESISTANCE (m Ω) Max.	RATED CURRENT (A) Max.
SCD0705T-1R0M	1.00	20.0	100.0	13.0	7.50
SCD0705T-1R5M	1.50	20.0	100.0	16.0	6.50
SCD0705T-2R2M	2.20	20.0	100.0	23.0	5.30
SCD0705T-3R3M	3.30	20.0	100.0	28.0	4.50
SCD0705T-4R7M	4.70	20.0	100.0	45.0	4.00
SCD0705T-6R8M	6.80	20.0	100.0	58.0	3.20
SCD0705T-100M	10.00	20.0	1.0	70.0	2.30
SCD0705T-120M	12.00	20.0	1.0	80.0	2.00
SCD0705T-150M	15.00	20.0	1.0	90.0	1.80
SCD0705T-180M	18.00	20.0	1.0	100.0	1.60
SCD0705T-220M	22.00	20.0	1.0	110.0	1.50
SCD0705T-270M	27.00	20.0	1.0	120.0	1.30
SCD0705T-330M	33.00	20.0	1.0	130.0	1.20
SCD0705T-390M	39.00	20.0	1.0	160.0	1.10
SCD0705T-470M	47.00	20.0	1.0	180.0	1.00
SCD0705T-560M	56.00	20.0	1.0	240.0	0.94
SCD0705T-680M	68.00	20.0	1.0	280.0	0.85
SCD0705T-820M	82.00	20.0	1.0	370.0	0.78
SCD0705T-101M	100.00	20.0	1.0	430.0	0.72
SCD0705T-121M	120.00	20.0	1.0	470.0	0.66
SCD0705T-151M	150.00	20.0	1.0	640.0	0.58
SCD0705T-181M	180.00	20.0	1.0	710.0	0.51
SCD0705T-221M	220.00	20.0	1.0	960.0	0.49
SCD0705T-271M	270.00	20.0	1.0	1110.0	0.42
SCD0705T-331M	330.00	20.0	1.0	1260.0	0.40
SCD0705T-391M	390.00	20.0	1.0	1770.0	0.36
SCD0705T-471M	470.00	20.0	1.0	1960.0	0.34

Note:

Isat: DC current at which the inductance drops 25% from its value without current
 Irms: The actual current when temperature of coil becomes $\Delta T = 40\text{ }^{\circ}\text{C}$



ELECTRICAL CHARACTERISTICS SCD1004T

PART NO.	INDUCTANCE (μ H)	TOLERANCE (\pm %)	TEST FREQUENCY (KHz/0.3V)	DC RESISTANCE (m Ω) Max.	RATED CURRENT (A) Max.
SCD1004T-1R0M	1.00	20.0	100.0	12.0	8.70
SCD1004T-1R5M	1.50	20.0	100.0	16.0	7.48
SCD1004T-2R2M	2.20	20.0	100.0	20.0	5.40
SCD1004T-3R3M	3.30	20.0	100.0	28.0	2.85
SCD1004T-4R7M	4.70	20.0	100.0	38.0	2.75
SCD1004T-6R8M	6.80	20.0	100.0	42.0	2.65
SCD1004T-100M	10.00	20.0	1.0	50.0	2.38
SCD1004T-120M	12.00	20.0	1.0	60.0	2.13
SCD1004T-150M	15.00	20.0	1.0	70.0	1.87
SCD1004T-180M	18.00	20.0	1.0	80.0	1.73
SCD1004T-220M	22.00	20.0	1.0	90.0	1.60
SCD1004T-270M	27.00	20.0	1.0	100.0	1.44
SCD1004T-330M	33.00	20.0	1.0	120.0	1.26
SCD1004T-390M	39.00	20.0	1.0	150.0	1.20
SCD1004T-470M	47.00	20.0	1.0	170.0	1.10
SCD1004T-560M	56.00	20.0	1.0	200.0	1.01
SCD1004T-680M	68.00	20.0	1.0	220.0	0.91
SCD1004T-820M	82.00	20.0	1.0	250.0	0.85
SCD1004T-101M	100.00	20.0	1.0	340.0	0.74
SCD1004T-121M	120.00	20.0	1.0	400.0	0.69
SCD1004T-151M	150.00	20.0	1.0	540.0	0.61
SCD1004T-181M	180.00	20.0	1.0	620.0	0.56
SCD1004T-221M	220.00	20.0	1.0	720.0	0.53
SCD1004T-271M	270.00	20.0	1.0	950.0	0.45
SCD1004T-331M	330.00	20.0	1.0	1100.0	0.42
SCD1004T-391M	390.00	20.0	1.0	1240.0	0.38
SCD1004T-471M	470.00	20.0	1.0	1530.0	0.35
SCD1004T-561M	560.00	20.0	1.0	1900.0	0.32

Note:

Isat: DC current at which the inductance drops 25% from its value without current

Irms: The actual current when temperature of coil becomes $\Delta T = 40\text{ }^{\circ}\text{C}$

ELECTRICAL CHARACTERISTICS SCD1005T

PART NO.	INDUCTANCE (μ H)	TOLERANCE (\pm %)	TEST FREQUENCY (KHz/0.3V)	DC RESISTANCE (m Ω) Max.	RATED CURRENT (A) Max.
SCD1005T-1R0M	1.00	20.0	100.0	9.0	8.63
SCD1005T-2R2M	2.20	20.0	100.0	16.0	7.20
SCD1005T-3R3M	3.30	20.0	100.0	18.0	6.50
SCD1005T-4R7M	4.70	20.0	100.0	20.0	5.50
SCD1005T-6R8M	6.80	20.0	100.0	40.0	4.50
SCD1005T-100M	10.00	20.0	1.0	60.0	2.60
SCD1005T-150M	15.00	20.0	1.0	70.0	1.72
SCD1005T-180M	18.00	20.0	1.0	80.0	1.58
SCD1005T-220M	22.00	20.0	1.0	90.0	1.42
SCD1005T-270M	27.00	20.0	1.0	100.0	1.32
SCD1005T-330M	33.00	20.0	1.0	110.0	1.16
SCD1005T-390M	39.00	20.0	1.0	120.0	1.10
SCD1005T-470M	47.00	20.0	1.0	140.0	1.00
SCD1005T-560M	56.00	20.0	1.0	190.0	0.93
SCD1005T-680M	68.00	20.0	1.0	210.0	0.85
SCD1005T-820M	82.00	20.0	1.0	280.0	0.79
SCD1005T-101M	100.00	20.0	1.0	340.0	0.72
SCD1005T-121M	120.00	20.0	1.0	370.0	0.63
SCD1005T-151M	150.00	20.0	1.0	510.0	0.55
SCD1005T-181M	180.00	20.0	1.0	570.0	0.50
SCD1005T-221M	220.00	20.0	1.0	780.0	0.47
SCD1005T-271M	270.00	20.0	1.0	870.0	0.41
SCD1005T-331M	330.00	20.0	1.0	1200.0	0.37
SCD1005T-471M	470.00	20.0	1.0	1500.0	0.33
SCD1005T-561M	560.00	20.0	1.0	1900.0	0.30
SCD1005T-681M	680.00	20.0	1.0	2250.0	0.28
SCD1005T-821M	820.00	20.0	1.0	2550.0	0.24

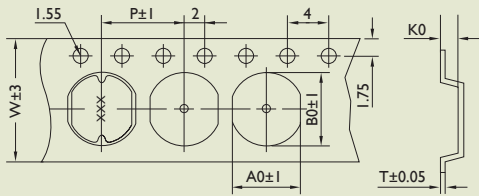
Note:

Isat: DC current at which the inductance drops 25% from its value without current
 Irms: The actual current when temperature of coil becomes $\Delta T = 40\text{ }^{\circ}\text{C}$



TAPE DIMENSIONS

Unit: mm



TYPE	A0	B0	K0	P	W	T
SCD0315T	3.45	3.65	1.9	8	12	0.4
SCD0302T	3.3	3.5	2.4	8	12	0.4
SCD0402T	4.3	4.8	2.3	8	12	0.4
SCD0403T	4.3	4.8	3.5	8	12	0.4
SCD0502T	5.5	6.1	2.3	8	12	0.4
SCD0503T	5.5	5.1	3.3	8	12	0.4
SCD0504T	5.5	5.1	4.8	8	16	0.4
SCD0703T	7.3	8.1	3.8	12	16	0.4
SCD0705T	7.3	8.1	5.3	12	16	0.4
SCD1004T	9.3	10.3	4.3	12	24	0.4
SCD1005T	9.3	10.3	5.7	12	24	0.4

PACKAGING QUANTITY

TYPE	BULK	QUANTITY/REEL	CASKET/REEL	CASKET	QUANTITY/BOX
SCD0315T	v	2500	3	5	37500
SCD0302T	v	2500	3	5	37500
SCD0402T	v	2000	3	5	30000
SCD0403T	v	2000	3	5	30000
SCD0502T	v	2000	3	5	30000
SCD0503T	v	1500	3	5	22500
SCD0504T	v	1500	3	5	22500
SCD0703T	v	1000	3	5	15000
SCD0705T	v	500	3	5	7500
SCD1004T	v	500	3	5	7500
SCD1005T	v	500	3	5	7500