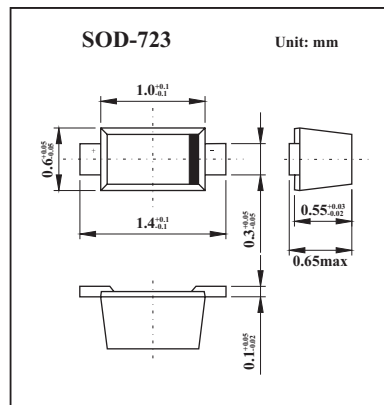


1SS400G

■ Features

- Small surface mounting type
- High Speed
- High reliability with high surge current handling capability



■ Absolute Maximum Ratings Ta = 25°C

Parameter	Symbol	Rating	Unit
Peak reverse voltage	V _{RM}	90	V
DC reverse voltage	V _R	80	V
Average forward current	I _o	100	mA
Peak forward current	I _{FM}	225	mA
Surge current (1s)	I _{surge}	500	mA
Junction temperature	T _j	125	°C
Storage temperature	T _{stg}	-55 to +125	°C

■ Electrical Characteristics Ta = 25°C

Parameter	Symbol	Test Conditions	Min	Typ	Max	Unit
Forward voltage	V _F	I _F =100mA			1.2	V
Reverse current	I _R	V _R =80V			0.1	μ A
Total Capacitance	C _T	V _R =0.5V, f=1MHZ			3.0	pF
Reverse recovery time	t _{rr}	V _R =6V, I _F =10mA, R _L =100 Ω			4	ns

■ Marking

Marking	7
---------	---