

2SB985 TRANSISTOR (PNP)

FEATURES

Power dissipation

$$P_{CM}: 1 \text{ W (Tamb=25°C)}$$

Collector current

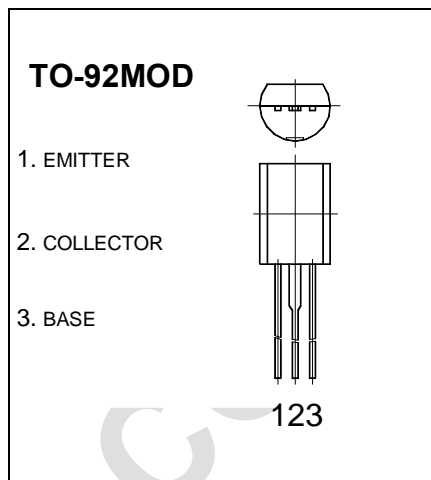
$$I_{CM}: -3 \text{ A}$$

Collector-base voltage

$$V_{(BR)CBO}: -60 \text{ V}$$

Operating and storage junction temperature range

$$T_J, T_{stg}: -55°C \text{ to } +150°C$$



ELECTRICAL CHARACTERISTICS (Tamb=25°C unless otherwise specified)

Parameter	Symbol	Test conditions	MIN	TYP	MAX	UNIT
Collector-base breakdown voltage	$V_{(BR)CBO}$	$I_C = -10\mu A, I_E = 0$	-60			V
Collector-emitter breakdown voltage	$V_{(BR)CEO}$	$I_C = -1mA, I_B = 0$	-50			V
Emitter-base breakdown voltage	$V_{(BR)EBO}$	$I_E = -10\mu A, I_C = 0$	-6			V
Collector cut-off current	I_{CBO}	$V_{CB} = -40V, I_E = 0$			-1	μA
Emitter cut-off current	I_{EBO}	$V_{EB} = -4V, I_C = 0$			-1	μA
DC current gain	$h_{FE(1)}$	$V_{CE} = -2V, I_C = -100mA$	100		560	
	$h_{FE(2)}$	$V_{CE} = -2V, I_C = -3A$	40			
Collector-emitter saturation voltage	$V_{CE(sat)}$	$I_C = -2A, I_B = -100mA$			-0.7	V
Base-emitter saturation voltage	$V_{BE(sat)}$	$I_C = -2A, I_B = -100mA$			-1.2	V
Transition frequency	f_T	$V_{CE} = -10V, I_C = -50mA$	100			MHz
Collector output capacitance	C_{ob}	$V_{CB} = -10V, I_E = 0, f = 1MHz$			50	pF

CLASSIFICATION OF $h_{FE(1)}$

Rank	R	S	T	U
Range	100-200	140-280	200-400	280-560