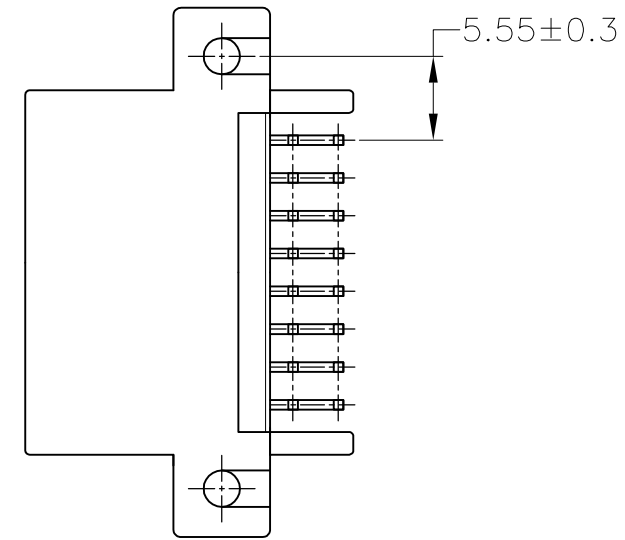
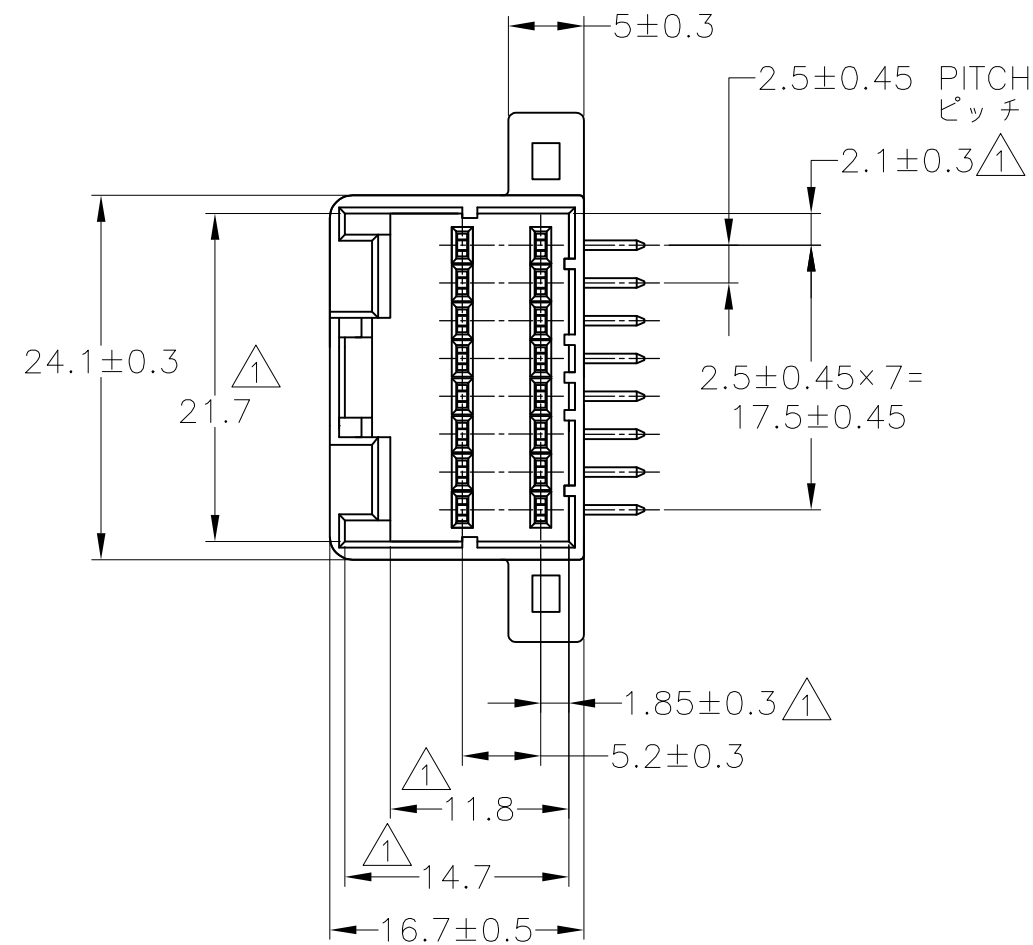
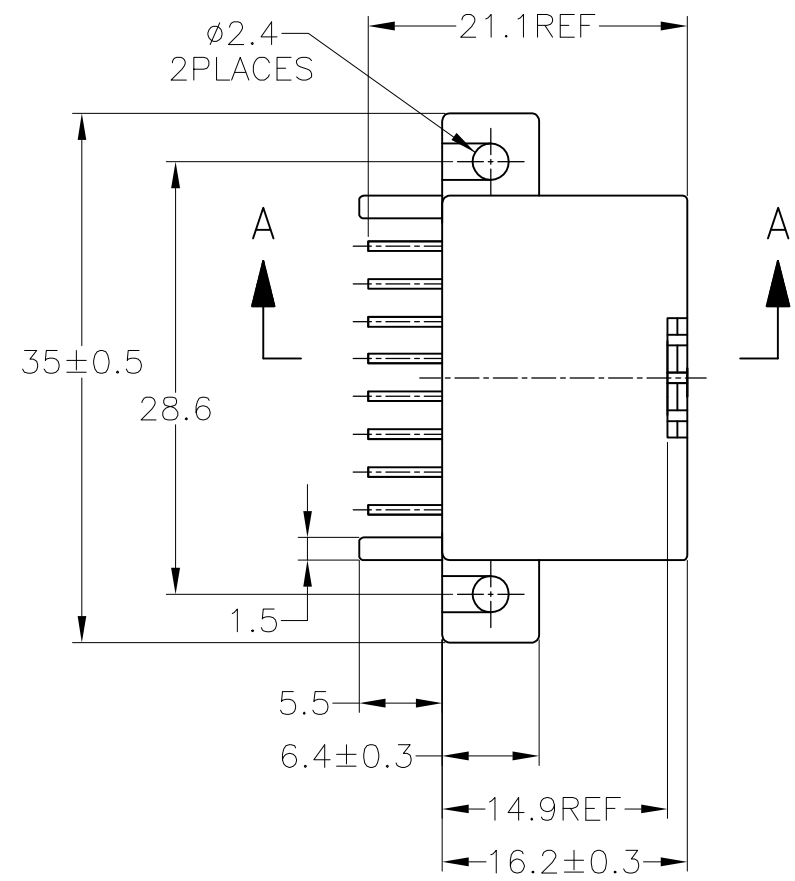
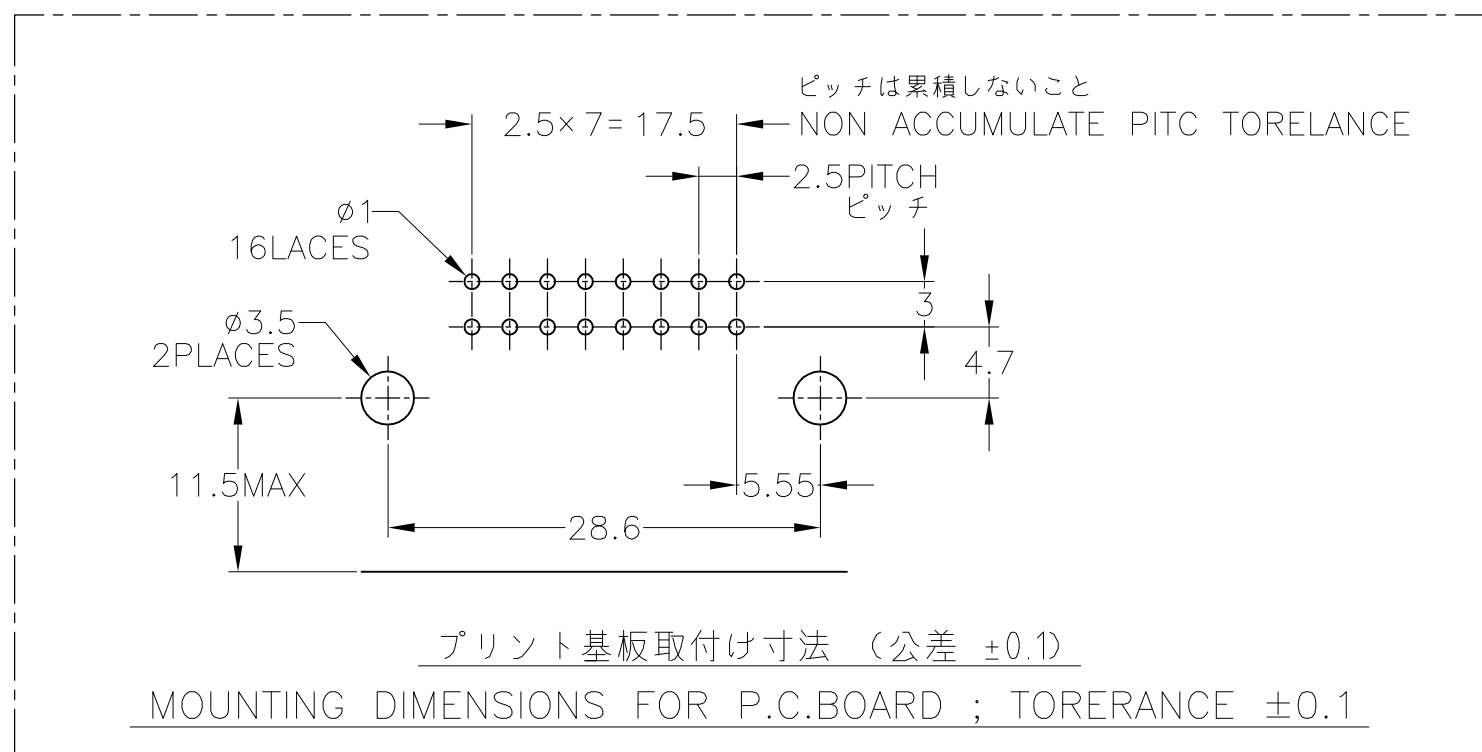
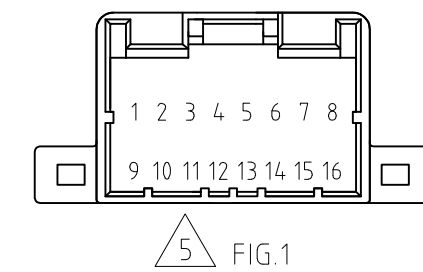
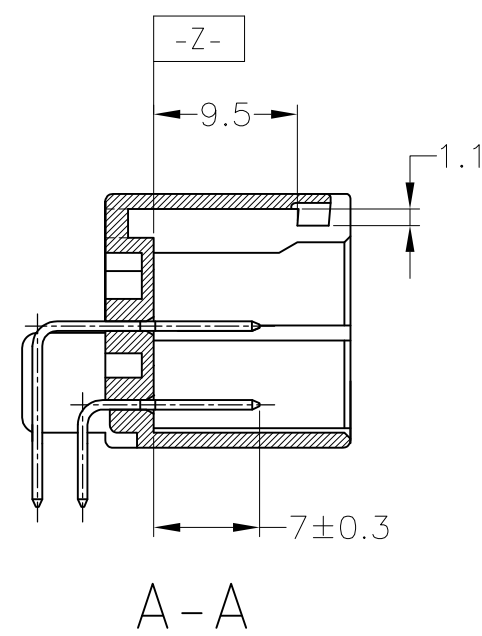
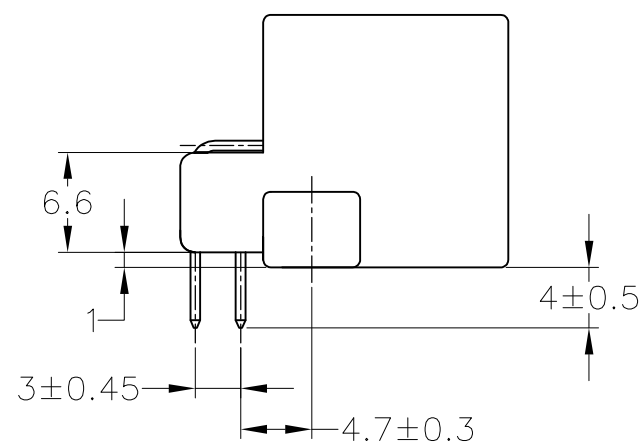


THIS DRAWING IS UNPUBLISHED. RELEASED FOR PUBLICATION
 © COPYRIGHT - By - ALL RIGHTS RESERVED.

LOC		DIST		REVISIONS			
P	LTR	DESCRIPTION		DATE	DWN	APVD	
J	-	H2	REVISED PER ECO-11-005140	28MAR11	RK	HMR	



- △[-Z-]面より2mmの範囲で測定。
 - 2. 適用プリント基板厚: 1.6mm
 - 3. 嵌合相手ハウジング型番: 174046
 - 4. 推奨取付けねじ: JIS B1115, B1122 タッピンねじ, なべ2種 呼び径3, 長さ7mm以上 (締付けトルク: 0.4N-m以下)
 - △回路番号: FIG.1 参照
 - 6. 製品規格番号: 108-5244, 取扱説明書: 411-5883
- △TO BE MEASURED WITHIN 2mm FROM [-Z-]
 - 2. APPLICABLE P.C.BOARD THICKNESS: 1.6mm
 - 3. THE MATING PLUG HOUSING PART NUMBER: 174046
 - 4. RECOMMENDED MOUNTING SCREW: 3mm DIA, 7mm LENGTH (MIN.) PAN HEAD, CLASS 2 TAPPING SCREW SPECIFIED IN JIS B1115, B1122 (TIGHTENING TORQUE: 0.4N-m MAX.)
 - △CIRCUIT NUMBER: SEE FIG.1
 - 6. PRODUCT SPECIFICATION: 108-5244 INSTRUCTION SHEET: 411-5883



TOLERANCE UNLESS OTHERWISE SPECIFIED:
 一般公差

0 < x ≤ 10	: ±0.2
10 < x ≤ 30	: ±0.25
30 < x ≤ 100	: ±0.3
ANGLE	: ±3°

PRE-TIN × 14				
TIN-LEAD	SELECTIVE GOLD × 2	5, 6	BLACK	3-174053-2
SEE DWG 2-174053-2				
TIN-LEAD	SELECTIVE GOLD	1~16	GREEN	1-174053-4
TIN-LEAD	SELECTIVE GOLD	1~16	BLACK	1-174053-2
PRE-TIN		-	BLUE	174053-5
PRE-TIN		-	GREEN	174053-4
PRE-TIN		-	BLACK	174053-2
CONTACT FINISH 半田付け部	CONTACT SIDE 接触部側	GOLD PLATED CIRCUIT NO 金めっき回路番号		PART NUMBER 製品型番
CONTACT FINISH コンタクト仕上		△5		

THIS DRAWING IS A CONTROLLED DOCUMENT.

DWN	T.SHINOHARA	06JAN09
CHK	K.BETSUI	06JAN09
APVD	K.BETSUI	06JAN09

TE Connectivity

040 SERIES MULTI-LOCK I/O CONNECTOR
 16 POSITION CAP HOUSING ASSEMBLY

SIZE	A2	CAGE CODE	00779	DRAWING NO	C=174053
WEIGHT	8.4 g	RESTRICTED TO	-		

CUSTOMER DRAWING SCALE 2:1 SHEET 1 OF 1 REV H2